

spinder

DAIRY HOUSING CONCEPTS

dealer information



The benefits of comfort

21-1



Spinder since 1973

Tjip Spinder started manufacturing and selling dividers and feed fronts in 1973, using the name Spinder Stalinrichting. What started as a metal workshop, quickly became a small factory and eventually grew into Spinder as we know it today: a leading, advanced manufacturing company with a modern range for contemporary dairy farms.

Tjip Spinder was a real all-rounder and expected the same from his employees. "You were given an overall and a task and that was it", says Dick van der Meer, employee since the start and now co-foreman in the assembly department. With the ink barely dry on his technical school diploma, he went to see Tjip Spinder in 1973 to ask if there was work for him and was told he could start immediately. "Tjip set high standards. Not just for commitment and quality, but also for behaviour. But he didn't go easy on himself either. He was the first to arrive at work at six in the morning and he would only go home late at night when his wife decided that enough was enough and came to fetch him. They lived next door to the workshop."

Spinder has always responded to developments in dairy farming. As livestock increased, so did manufacturing and the range changed along with the requirements and insights of farmers. Especially in the 70s and 80s of the last century, the period that farmers opted for cubicle systems en masse, Spinder experienced considerable growth.

Spinder's growth during the early years was mostly thanks to two good friends of Tjip, who both owned a construction company. They were barn builders and introduced Spinder when the barns they built also needed equipment. When son

Pieter took the reins, he made some changes and implemented innovations. This caused a large improvement in efficiency. It was no longer expected that everyone could do 'everything': the work was divided over various departments. After Pieter, who went to Canada to run a farm, Spinder ceased to be a family-run company in 1995 and was taken over by management. The company is still owned by the board.

Production manager Sjouke van der Meer joined Spinder in 1981. Like Dick van der Meer, he has seen many changes within the company: "Highlights, growth, less successful periods, changes to management, product innovation, you name it. But one thing has remained unchanged and that's the commitment of all colleagues to Spinder. Although Spinder hasn't been a family-run business since 1995, it still feels like family here. And just like in 1973, the bar is still set high. Everything that leaves these premises is of absolute top quality. We are proud of that and that's what we work for, together."

In 2017 Spinder acquired the BUC brand, specialist in dual waterbeds.

As market dynamics are demanding Spinder has had a new premises build, fully in operation from 2020.

Read instruction:

Green pages

Main program

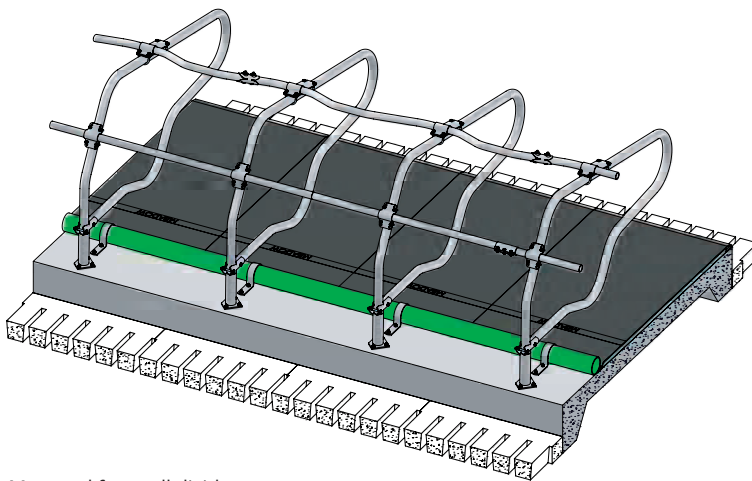
Red pages

Items for projects and/or service. These are non-stock items that have a lead time of approximately 6 to 8 weeks from order to delivery.

The copyrights of this publication are held by Spinder Dairy Housing Concepts B.V., Harkema, The Netherlands. This publication or part thereof may be reproduced, in any form or by any means, subject to the prior written permission of Spinder Dairy Housing Concepts B.V. stating: "Source: Spinder Dairy Housing Concepts brochure". Specifications, illustrations and instructions are not binding and may be subject to changes.

Resting

- Freestall divider model 'Profit' 1.1
- Freestall divider model 'Comfort-NG' 1.5
- Freestall divider model 'Comfort' 1.8
- Deep litter freestalls 1.9
- Waved neck bar 1.11
- PE retaining knee rail 1.13
- Meadow mattress 1.14
- Waterbeds 1.15
- Studded rubber mat 1.19
- Accessories and fittings 1.20
- Tables 1.25



Mounted freestall divider model 'Profit' for cows

Freestall divider model 'Profit'

Spinder introduced the freestall divider model 'Profit' in 1996. During all these years the 'Profit' has been applauded for its simple, sturdy construction, its general applicability and the fact that it is so easy to install. But the most important feature of this model is that the 'Profit' offers excellent cow comfort. And, as the result of the unique design, this divider positions the animals in a straight line in the stalls. Therefore the animals stay much cleaner.

General applicable

The freestall divider model 'Profit' is mounted "freely" onto the stall floor. Meaning that it is not attached to any support posts or barn supports. The model 'Profit' for cows is produced in 3 lengths: 216, 206 and 190 cm. Therefore this model is suitable for every situation, new buildings or renovations. One can select the ideal combination of divider length / stall floor length, and achieve the correct position.

Easy to install

The 'Profit' divider is mounted to the concrete floor with a solid foot piece. This foot piece is made of a heavy gauge tubing Ø70 mm (thickness 4 mm), welded on a heavy plate. After mounting the foot piece, the divider, Ø60 mm, is placed loose in the foot piece. By mounting the waved neckbars and head rails appropriately, an extremely stable construction is created.

Allows for a broad range of matting

The open space under the dividers and the far to the front position of the foot piece, allows for easy fitting of almost all kinds of matting. The dimensions of the 'Profit' divider and foot piece are designed for application of the waterbeds, Dunlomat, or a thin layer of loose bedding. When applying the Spinder Meadow matress one has to make use of a filling ring to elevate the divider.

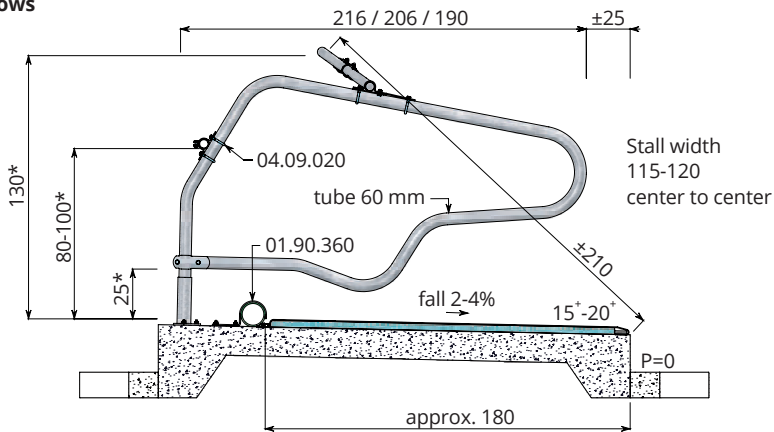
Important advantages:

- Optimal resting comfort due to careful design;
- Durability, due to the suspended construction;
- Quick and easy to install;
- All the right dimensions are available;
- Allows for all types of matting materials.

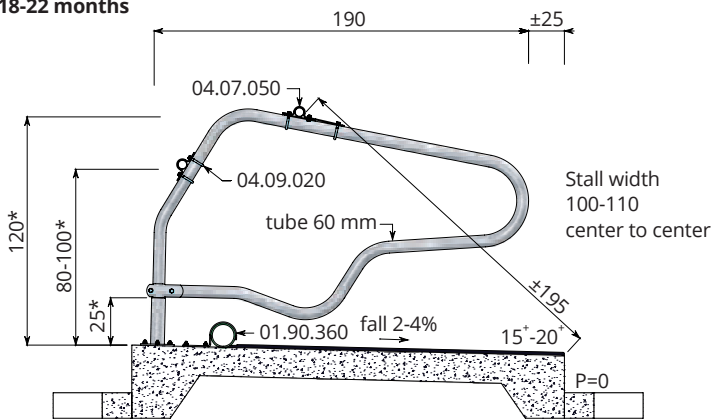
Freestall divider	Profit 190	Profit 206	Profit 216
Measurements wall row (cm)			
220-230	x		
230-240		x	
240-260			x
260-270	x		
270-280		x	
>280			x
Measurements single row (cm)			
220-230	x		
230-240		x	
>240			x
Measurements double row (cm)			
430-460	x		
460-480		x	
>480			x

The combinations of the measurements of the stall floor and the model of freestall divider are established to create the maximum space for the animal. Also these measurements prevent from creating precarious room between a wall and a row of dividers.

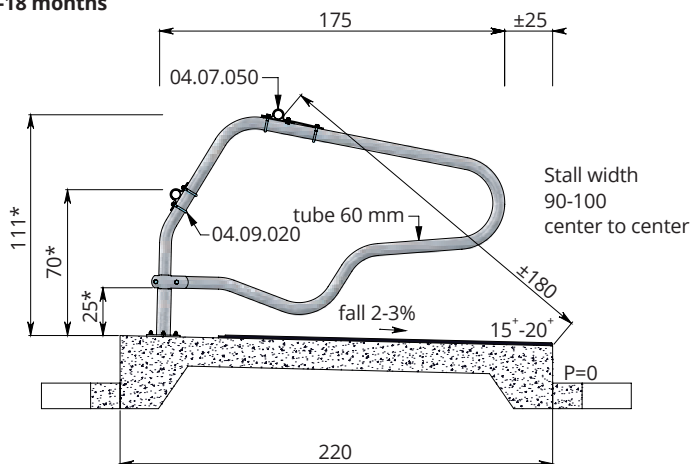
01.10.513 / 01.10.510 / 01.10.500
Model 'Profit' 216 / 206 / 190
for cows



01.10.500
Model 'Profit' 190
for heifers 18-22 months



01.10.520
Model 'Profit' 175
for heifers 10-18 months



Freestall divider model 'Profit' for cows and heifers (mounting support piece and T-clamp included)

- 01.10.513** Freestall divider model 'Profit' 216 for cows
- 01.10.510** Freestall divider model 'Profit' 206 for cows
- 01.10.500** Freestall divider model 'Profit' 190 for cows
- 01.10.520** Freestall divider model 'Profit' 175 for heifers

Fittings

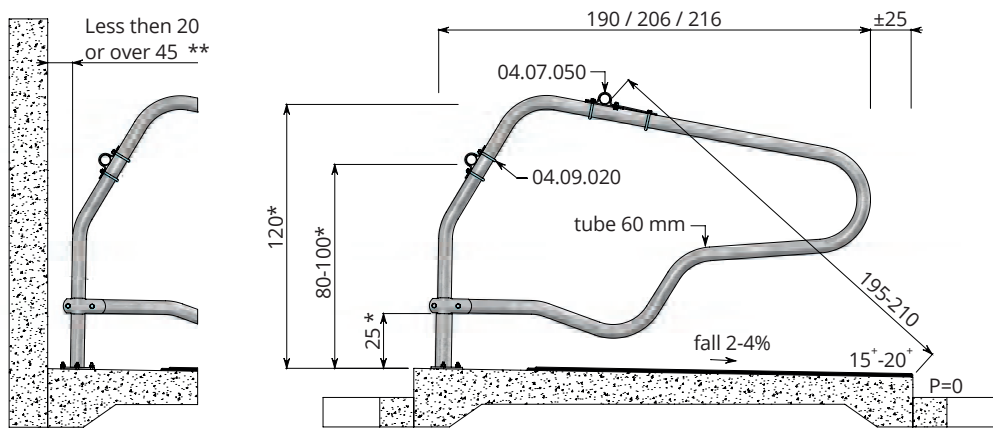
- 04.07.050** Shoulder rail strap clamp 48 x 60 mm
- 04.09.020** Strap clamp 48 x 60 mm
- 11.11.240** Floor anchor M12 x 106 (3 per divider)
- 11.12.012** Chemical anchor M12 (10 anchors), an alternative to floor anchor
- 10.15.600** Tube 48 mm, length 6 m
- 04.21.015** Tube clamp coupling 48 mm
- 04.24.015** End coupling 48 mm
- 11.11.210** Floor anchor M10 x 71 (2 per end coupling)
- 04.24.215** Extended end coupling
- 01.90.360** Mounting clip for knee rail PE125
- 11.11.210** Floor anchor M10 x 71 (2 per mounting clip)
- 01.10.503** Filling ring for application of a 4 cm thick cow mattress

Waved neck bar

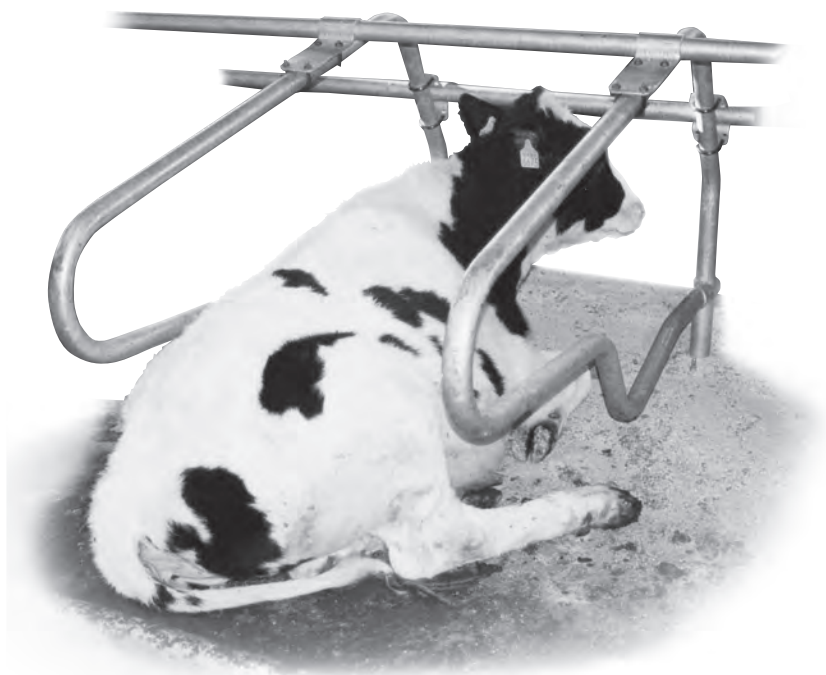
With the waved neck bar the shoulder height or diagonal boxside - neck rail can be raised up till 30 cm.

When to use which Profit model ?

- In the case of a row of stalls against a wall, the critical distance between the wall and the freestall divider (<20 and >45 cm) determines the selection between Profit 190, Profit 206 or Profit 216;

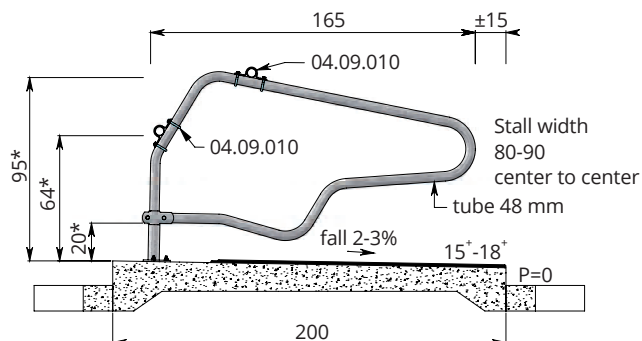


- * Dimension is based on the use of Dunlomat, waterbed or sawdust as bedding. At the use of so-called cow mattresses, this dimension has to be adjusted, depending on the thickness of the mattress, with a filling ring.
- ** In case of measurements between 20 and 45 cm, the space needs to be filled to avoid cows from being trapped.

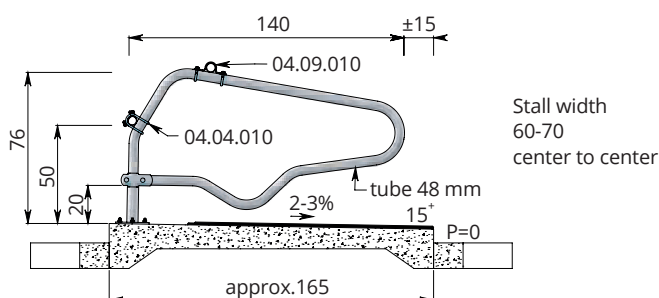


In a modern dairy operation much attention is paid to young stock, and especially to the housing of the young animals. The freestall dividing system is used for all age categories. At a very early age the young animals can get familiar with dry, comfortable and safe stalls, adjusted to their size. A proper, hygienic environment is essential for the development of these animals, and therefore required for an optimal performing dairy cow. With this in mind, Spinder has designed the freestall 'Profit' for every age group. The 'Profit' freestall dividers for young heifers and calves are made of 48 mm tubing, and have all the features and advantages of the dividers for cows and heifers.

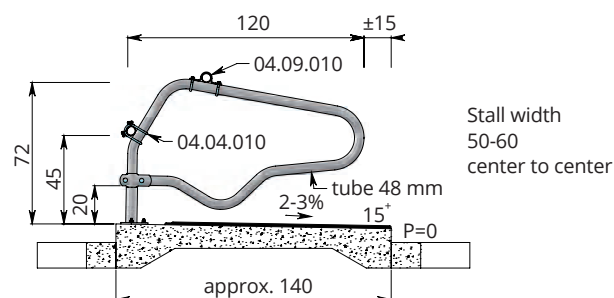
01.10.540
Model 'Profit'
for young stock
5-9 months



01.10.560
Model 'Profit'
for calves 2-5 months



01.10.580
model 'Profit'
for calves ½-2 months



01.10.540 Freestall model 'Profit' 165 for young stock

01.10.560 Freestall model 'Profit' 140 for calves

01.10.580 Freestall model 'Profit' 120 for calves

Mounting support pieces and T-clamps are included with all freestall dividers

Fittings

04.09.010 Strap clamp 48 x 48 mm

04.04.010 Wire clamp 48 x 48 mm

11.11.240 Floor anchor M12 x 106 (3 per divider)

11.12.012 Chemical anchor M12 (10 anchors), an alternative to floor anchor

10.15.600 Tube 48 mm, length 6 m

04.21.015 Tube clamp coupling 48 mm

04.24.015 End coupling 48 mm

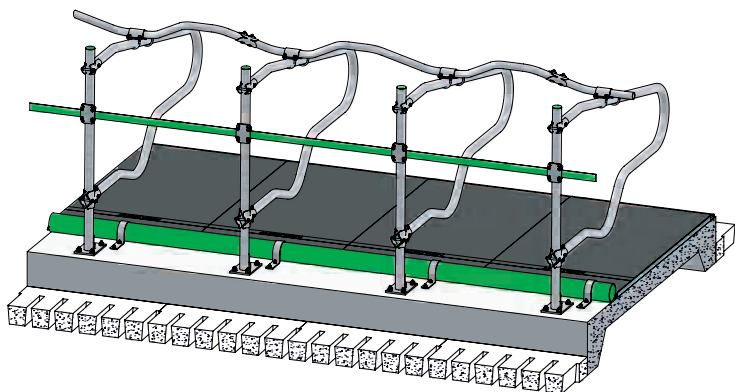
11.11.210 Floor anchor M10 x 71 (2 per end coupling)

04.24.115 Adjustable end coupling

04.08.010 Matching cross clamp 48 x 48 mm

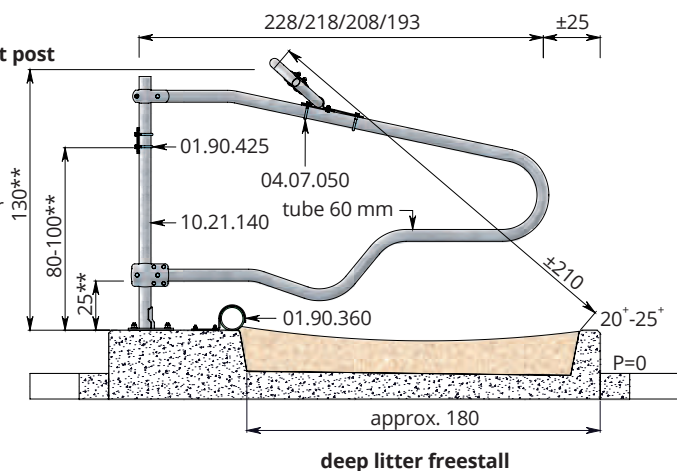
01.10.543 Filling ring for application of a 3 cm thick cow mattress

* - measured from the top of the cow mattress

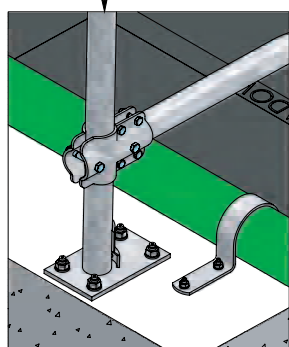


01.13....
Model 'Comfort-NG'
for cows
mounted to
60 mm support post

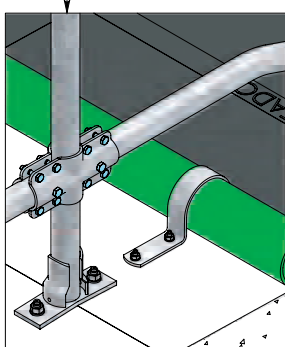
Stall width
115-120
center to center



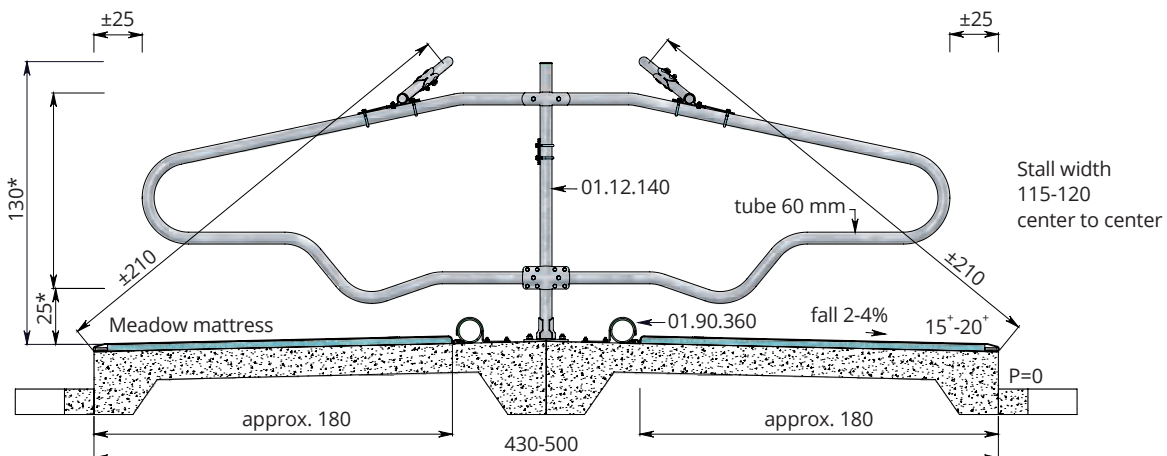
10.21.140, single row



01.12.140, double row



01.13....
Model 'Comfort-NG'
for cows
Double row
mounted to
60 mm support post



Freestall divider model Comfort-NG

This freestall divider looks a lot like the model Profit. The Spinder curl, the shape of the lower bar, is almost similar. The characteristics of the divider are thus also very similar. Sturdy and robust, positioning the animals in a straight line in the cubicle. At the front the Comfort is more open, leading to even more space to lie down or stand up.

The Comfort cubicle can be mounted on support posts (one post per cubicle) or on horizontal tubing (1 per 2 cubicles). The system Comfort is thus very flexible. When mounted on support posts one can mount 2 cubicles on 1 central post.

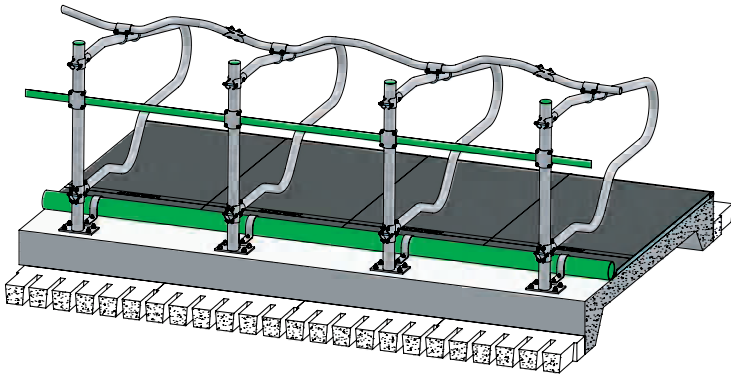
- Optimal resting comfort due to careful design;
- Extra space at the front;
- Durability, due to suspended construction;
- Flexible to install;
- All the right dimensions are available;
- Allows for all types of matting materials.

Freestall divider for cows, model 'Comfort-NG', mounted to support post 60 mm (T-clamps or four-way clamps are included)

- 01.13.560 Model 'Comfort-NG' 218 - stall floor ≥ 250 cm
- 01.13.550 Model 'Comfort-NG' 208 - stall floor 240 cm
- 01.13.530 Model 'Comfort-NG' 193 - stall floor 220 cm
- 01.13.575 Model 'Comfort-NG' 228/228 - stall floor 500 cm
- 01.13.565 Model 'Comfort-NG' 218/218 - stall floor 480 cm
- 01.13.555 Model 'Comfort-NG' 208/208 - stall floor 460 cm
- 01.13.545 Model 'Comfort-NG' 193/208 - stall floor 445 cm
- 01.13.535 Model 'Comfort-NG' 193/193 - stall floor 430 cm

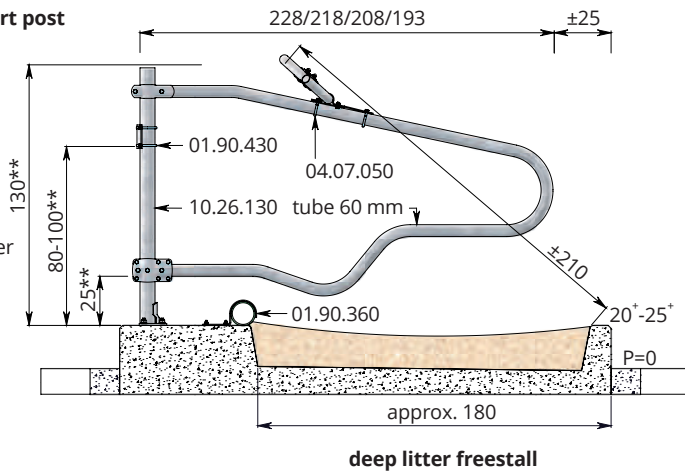
Fittings

- 04.07.050 Shoulder rail strap clamp 48 x 60 mm
- 10.21.140 Floor-mounted support post 60 mm x 140 cm (item no. for single row)
- 01.12.140 Floor-mounted support post 60 mm x 140 cm (item no. for double row)
- 10.20.160 Support post 60 mm x 160 cm
- 11.02.200 Plastic protective sleeve 60 mm
- 11.06.200 Stopper 60 mm
- 11.11.250 Floor anchor M16 x 120 mm (use 4 when installing a single row) (use 2 when installing a double row)
- 11.12.016 Chemical anchor M16 (10 anchors)
- 10.15.600 Tube 48 mm, length 6 mm
- 04.21.015 Tube clamp coupling 48 mm
- 04.24.215 Extended end coupling
- 01.90.360 Mounting clip for knee rail PE125
- 11.11.210 Floor anchor M10 x 71 (2 per mounting clip)
- 01.90.425 Belt clamp for 60 mm tubing (bolts and nuts are included)
- 01.90.400 Retainer belt 50 mm, 100 m roll
- 01.90.405 Retainer belt 50 mm, 50 m roll



01.13....
Model 'Comfort-NG'
for cows
mounted to
76 mm support post

Stall width
115-120
center to center



deep litter freestall

**Freestall divider model Comfort-NG,
mounted to support post 76 mm**

Freestall divider for cows, model 'Comfort-NG',
mounted to support post 76 mm
(T-clamps or four-way clamps are included)

- 01.13.660 Model 'Comfort-NG' 218 - stall floor \geq 250 cm
- 01.13.650 Model 'Comfort-NG' 208 - stall floor 240 cm
- 01.13.630 Model 'Comfort-NG' 193 - stall floor 220 cm
- 01.13.675 Model 'Comfort-NG' 228/228 - stall floor 500 cm
- 01.13.665 Model 'Comfort-NG' 218/218 - stall floor 480 cm
- 01.13.655 Model 'Comfort-NG' 208/208 - stall floor 460 cm
- 01.13.645 Model 'Comfort-NG' 193/208 - stall floor 445 cm
- 01.13.635 Model 'Comfort-NG' 193/193 - stall floor 430 cm

Fittings

- 04.07.050 Shoulder rail strap clamp 48 x 60 mm
- 10.26.130 Floor-mounted support post 76 mm x 130 cm
- 10.25.160 Support post 76 mm x 160 cm
- 11.02.250 Plastic protective sleeve 76 mm
- 11.06.250 Stopper 76 mm
- 11.11.250 Floor anchor M16 x 120 mm
(use 4 when installing a single row)
(use 2 when installing a double row)
- 11.12.016 Chemical anchor M16 (10 anchors)
an alternative to floor anchor
- 10.15.600 Tube 48 mm, length 6 m
- 04.21.015 Tube clamp coupling 48 mm
- 04.24.215 Extended end coupling
- 01.90.360 Mounting clip for knee rail PE125
- 11.11.210 Floor anchor M10 x 71 (2 per mounting clip)
- 01.90.430 Belt clamp for 76 mm tubing
(bolts and nuts are included)
- 01.90.400 Retainer belt 50 mm, 100 m roll
- 01.90.405 Retainer belt 50 mm, 50 m roll

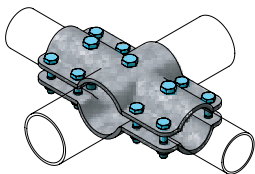
Alternative: support post 76 mm,
wall-thickness 6,3 mm
Support post 76 mm x 160 cm
Stopper 70 mm

* - measured from the top of the cow mattress
** - measured from the top of the litter bed

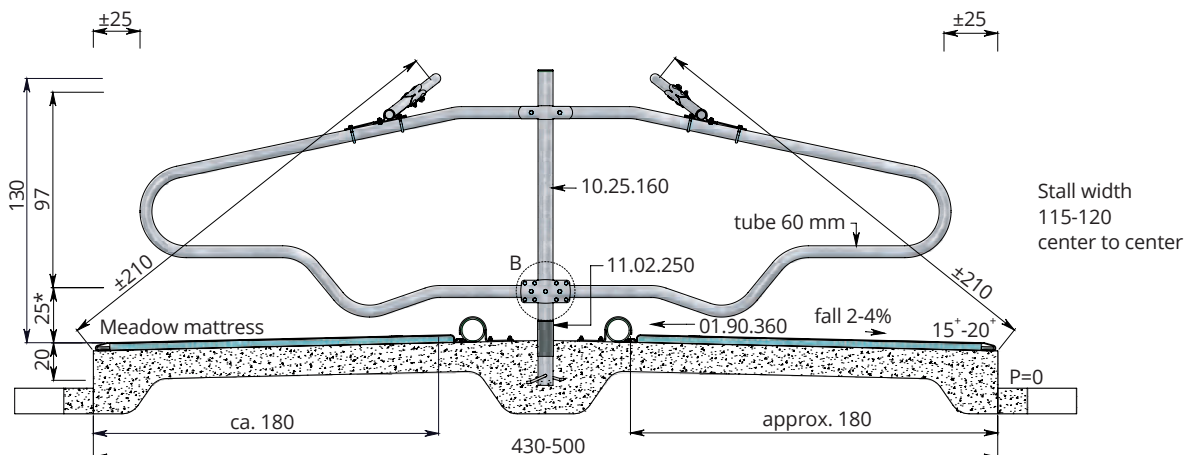
Waved neck bar

With the waved neck bar the shoulder height or diagonal boxside
- neck rail can be raised up till 30 cm.

01.13....
Model 'Comfort-NG'
for cows
Double row
mounted to
76 mm support post



Detail B



Stall width
115-120
center to center



**Freestall divider model 'Comfort-NG',
mounted to horizontal tubing**

Important advantages:

- Shoulder rail height 120 cm, therefore plenty of room for getting up and laying down;
- Freedom when resting due to the special design;
- Durability, due to the suspended construction;
- Adjustable in height and width;
- Stall is easy to clean;
- Meadow mattress or waterbeds can be placed without any problem;

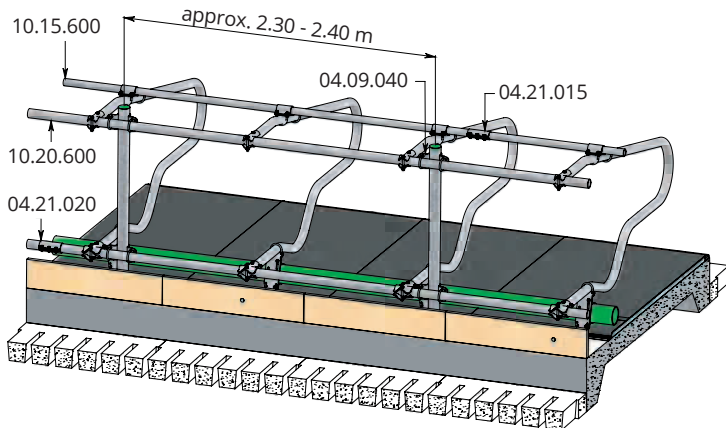
Freestall divider for cows, model 'Comfort-NG',
mounted to horizontal tubing
(T-clamps or four-way clamps are included)

- | | |
|------------------|--|
| 01.13.560 | Model 'Comfort-NG' 218 - stall floor \geq 250 cm |
| 01.13.550 | Model 'Comfort-NG' 208 - stall floor 240 cm |
| 01.13.530 | Model 'Comfort-NG' 193 - stall floor 220 cm |
| 01.13.575 | Model 'Comfort-NG' 228/228 - stall floor 500 cm |
| 01.13.565 | Model 'Comfort-NG' 218/218 - stall floor 480 cm |
| 01.13.555 | Model 'Comfort-NG' 208/208 - stall floor 460 cm |
| 01.13.545 | Model 'Comfort-NG' 193/208 - stall floor 445 cm |
| 01.13.535 | Model 'Comfort-NG' 193/193 - stall floor 430 cm |

Fittings

- | | |
|------------------|--|
| 04.07.050 | Shoulder rail strap clamp 48 x 60 mm |
| 10.25.160 | Support post 76 mm x 160 cm |
| 11.02.250 | Plastic protective sleeve 76 mm |
| 11.06.250 | Stopper 76 mm |
| 10.26.130 | Floor-mounted support post 76 mm x 130 cm |
| 11.11.250 | Floor anchor M16 x 120 mm |
| 11.12.016 | Chemical anchor M16 (10 anchors)
an alternative to floor anchor |
| 04.09.040 | Strap clamp 76 x 60 mm |
| 10.15.600 | Tube 48 mm, length 6 m |
| 04.21.015 | Tube clamp coupling 48 mm |
| 10.20.600 | Tube 60 mm, length 6 m |
| 04.21.020 | Tube clamp coupling 60 mm |
| 04.24.215 | Extended end coupling |
| 04.24.020 | End coupling 60 mm |
| 01.90.360 | Mounting clip for knee rail PE125 |
| 11.11.210 | Floor anchor M10 x 71 (2 per mounting clip) |

* - measured from the top of the cow mattress

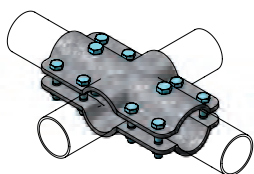


Mounted to horizontal tubing: stall adjustable in height and width.

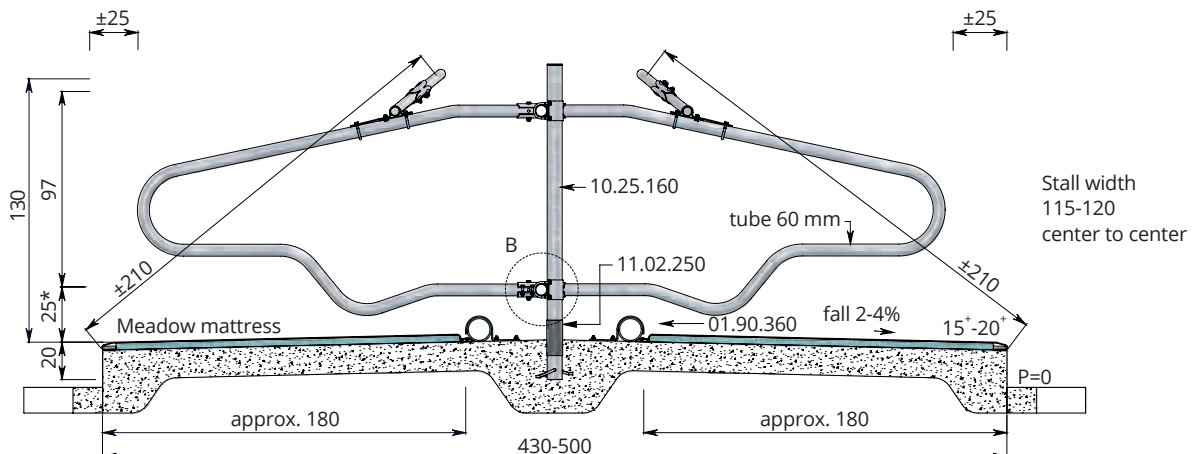
Waved neck bar

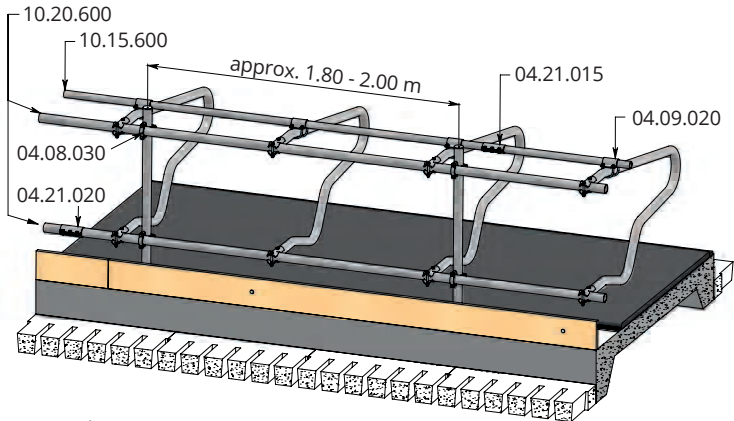
With the waved neck bar the shoulder height or diagonal boxside - neck rail can be raised up till 30 cm.

**01.13....
Model 'Comfort-NG'
for cows
Double row
mounted to
horizontal tubing**



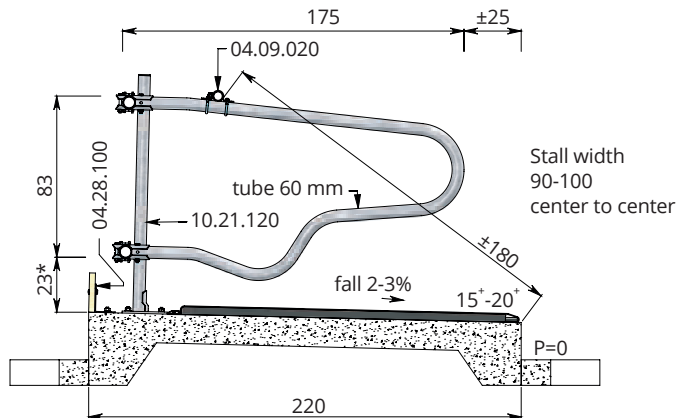
Detail B



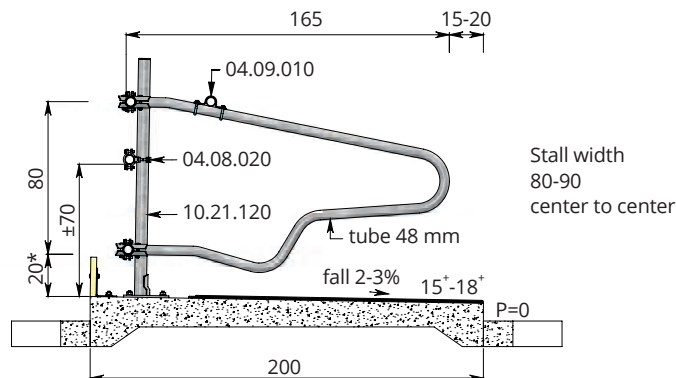


Mounted to 60 mm horizontal tubing; stall adjustable in height and width

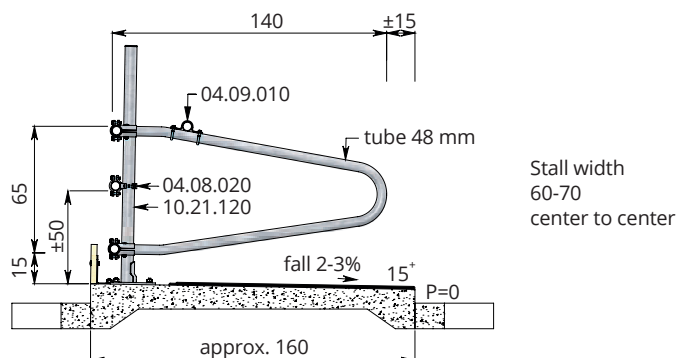
01.31.630
Heifers,
10-18 months
Single row



01.31.620
6-10 months
Single row



01.31.610
2-6 months
Single row

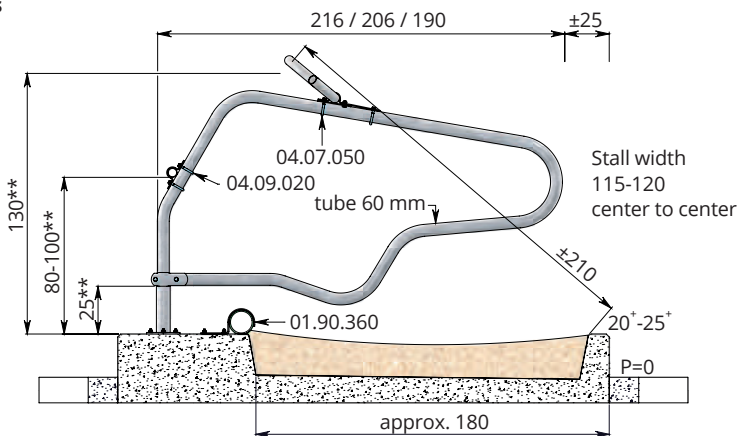


Heifers and young stock are the future of a dairy herd, therefore they need to be well cared for. Dairy farmers working with a freestall system for every age group get better results. Housing of the animals in dry, well-designed stalls with comfortable dividers, is essential for the development of these animals.

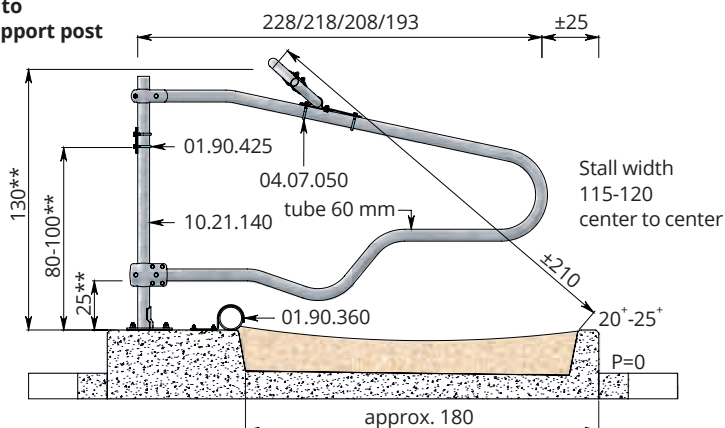
<p>01.13.530</p> <p>01.13.535</p>	<p>Heifers 18-22 months, stall width 100-110 center to center</p> <p>Single row 60 mm, (T-clamps included) Model 'Comfort-NG' 193</p> <p>Double row 60 mm, (four-way clamps included) Model 'Comfort-NG' 193/193</p> <p>Fittings See page 1.5</p>
<p>01.31.630</p> <p>01.31.635</p>	<p>Heifers 10-18 months, stall width 90-100 center to center</p> <p>Single row 60 mm, (T-clamps included)</p> <p>Double row 60 mm, (four-way clamps included)</p> <p>Fittings</p> <p>04.09.020 Strap clamp 48 x 60 mm</p> <p>11.06.200 Stopper 60 mm</p> <p>10.21.120 Floor-mounted support post 60 mm x 120 cm</p> <p>11.11.250 Floor anchor M16 x 120 mm</p> <p>11.12.016 Chemical anchor M16 (10 anchors) an alternative to floor anchor</p> <p>04.08.030 Cross clamp 60 x 60 mm</p> <p>10.15.600 Tube 48 mm, length 6 m</p> <p>04.21.015 Tube clamp coupling 48 mm</p> <p>10.20.600 Tube 60 mm, length 6 m</p> <p>04.21.020 Tube clamp coupling 60 mm</p> <p>04.24.115 Adjustable end coupling</p> <p>04.08.010 Matching cross clamp 48 x 48 mm</p> <p>04.24.020 End coupling 60 mm</p> <p>04.28.100 Angle support 10 x 14 cm</p>
<p>01.31.620</p> <p>01.31.625</p>	<p>Calves 6-10 months</p> <p>Single row 48 mm, (T-clamps included)</p> <p>Double row 48 mm, (four-way clamps included)</p>
<p>01.31.610</p>	<p>Calves 2-6 months</p> <p>Single row 48 mm, (T-clamps included)</p> <p>Fittings</p> <p>04.09.010 Strap clamp 48 x 48 mm</p> <p>11.06.200 Stopper 60 mm</p> <p>10.21.120 Floor-mounted support post 60 mm x 120 cm</p> <p>11.11.250 Floor anchor M16 x 120 mm</p> <p>11.12.016 Chemical anchor M16 (10 anchors) an alternative to floor anchor</p> <p>04.08.020 Cross clamp 48 x 60 mm</p> <p>10.15.600 Tube 48 mm, length 6 m</p> <p>04.21.015 Tube clamp coupling 48 mm</p> <p>04.24.115 Adjustable end coupling</p> <p>04.08.010 Matching cross clamp 48 x 48 mm</p> <p>04.24.015 End coupling 48 mm</p> <p>04.28.100 Angle support 10 x 14 cm</p> <p>* - measured from the top of the cow mattress</p>



01.10.513 / 01.10.510 / 01.10.500
Model 'Profit' 216 / 206 / 190
for cows



01.13....
Model 'Comfort-NG'
for cows
mounted to
60 mm support post



Special model for deep bedding freestalls

Cow comfort is a hot topic in modern dairy farming. As well as units with cow mattresses and waterbeds, many stalls are fitted with deep-bedded floors. The type of stuffing depends on the availability of materials or the dairy farmer's preference. For optimal deep bedding, a 15-20 cm matting is recommended. The realisation of this thickness requires a rounded 20-25 cm high rear edge in relation to the dung floor. Boundaries of similar height are required for the cubicle; the knee bar is mounted above the edge.

Waved neck bar

With the waved neck bar the shoulder height or diagonal boxside - neck rail can be raised up till 30 cm.

'Profit' for deep litter freestalls

Freestall divider model 'Profit' for cows and heifers (mounting support piece and T-clamp included)

- 01.10.513 Freestall divider model 'Profit' 216 for cows
- 01.10.510 Freestall divider model 'Profit' 206 for cows
- 01.10.500 Freestall divider model 'Profit' 190 for cows
- 01.10.520 Freestall divider model 'Profit' 175 for heifers

Fittings

- 04.07.050 Shoulder rail strap clamp 48 x 60 mm
- 04.09.020 Strap clamp 48 x 60 mm
- 11.11.240 Floor anchor M12 x 106 (3 per divider)
- 11.12.012 Chemical anchor M12 (10 anchors), an alternative to floor anchor
- 10.15.600 Tube 48 mm, length 6 m
- 04.21.015 Tube clamp coupling 48 mm
- 04.24.015 End coupling 48 mm
- 11.11.210 Floor anchor M10 x 71 (2 per end coupling)
- 04.24.215 Extended end coupling
- 01.90.360 Mounting clip for knee rail PE125
- 11.11.210 Floor anchor M10 x 71 (2 per mounting clip)

'Comfort' for deep litter freestalls

Freestall divider for cows, model 'Comfort-NG', mounted to support post 60 mm (T-clamps or four-way clamps are included)

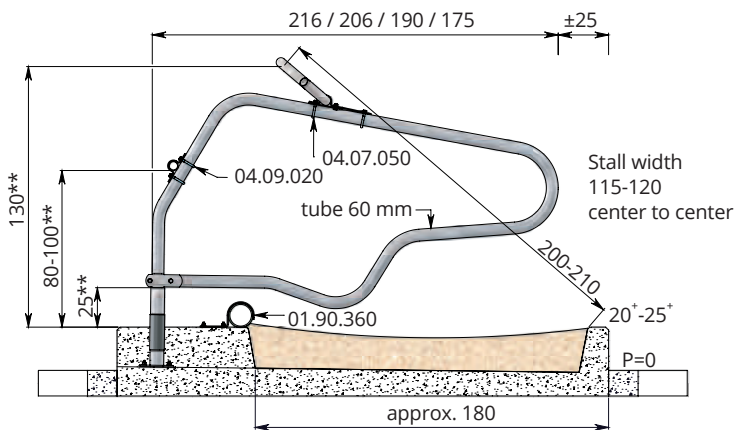
- 01.13.560 Model 'Comfort-NG' 218 - stall floor \geq 250 cm
- 01.13.550 Model 'Comfort-NG' 208 - stall floor 240 cm
- 01.13.530 Model 'Comfort-NG' 193 - stall floor 220 cm
- 01.13.575 Model 'Comfort-NG' 228/228 - stall floor 500 cm
- 01.13.565 Model 'Comfort-NG' 218/218 - stall floor 480 cm
- 01.13.555 Model 'Comfort-NG' 208/208 - stall floor 460 cm
- 01.13.545 Model 'Comfort-NG' 193/208 - stall floor 445 cm
- 01.13.535 Model 'Comfort-NG' 193/193 - stall floor 430 cm

Fittings

- 04.07.050 Shoulder rail strap clamp 48 x 60 mm
- 10.21.140 Floor-mounted support post 60 mm x 140 cm (item no. for single row)
- 01.12.140 Floor-mounted support post 60 mm x 140 cm (item no. for double row)
- 10.20.160 Support post 60 mm x 160 cm
- 11.02.200 Plastic protective sleeve 60 mm
- 11.06.200 Stopper 60 mm
- 11.11.250 Floor anchor M16 x 120 mm (use 4 when installing a single row) (use 2 when installing a double row)
- 11.12.016 Chemical anchor M16 (10 anchors)
- 01.90.360 Mounting clip for knee rail PE125
- 11.11.210 Floor anchor M10 x 71 (2 per mounting clip)
- 01.90.425 Belt clamp for 60 mm tubing (bolts and nuts are included)
- 01.90.400 Retainer belt 50 mm, 100 m roll
- 01.90.405 Retainer belt 50 mm, 50 m roll

** - measured from the top of the litter bed

01.10.513 / 01.10.510 / 01.10.500
Model 'Profit' 216 / 206 / 190 / 175
for cows and heifers



Deep litter freestall. Extended mounting support piece, set in concrete.

Deep litter freestall. Extended mounting support piece, set in concrete.

Freestall divider model 'Profit' for cows and heifers (extended mounting support piece +16cm, filling ring 16cm and T-clamp included)

- 01.10.713 Freestall divider model 'Profit' 216 for cows
- 01.10.710 Freestall divider model 'Profit' 206 for cows
- 01.10.700 Freestall divider model 'Profit' 190 for cows
- 01.10.720 Freestall divider model 'Profit' 175 for heifers

Fittings

- 04.07.050 Shoulder rail strap clamp 48 x 60 mm
- 04.09.020 Strap clamp 48 x 60 mm
- 11.11.240 Floor anchor M12 x 106 (3 per divider)
- 11.12.012 Chemical anchor M12 (10 anchors), an alternative to floor anchor
- 11.02.200 Plastic protective sleeve 70 mm
- 10.15.600 Tube 48 mm, length 6 m
- 04.21.015 Tube clamp coupling 48 mm
- 04.24.015 End coupling 48 mm
- 11.11.210 Floor anchor M10 x 71 (2 per end coupling)
- 04.24.215 Extended end coupling
- 01.90.360 Mounting clip for knee rail PE125
- 11.11.210 Floor anchor M10 x 71 (2 per mounting clip)

** - measured from the top of the litter bed





Waved neck rail

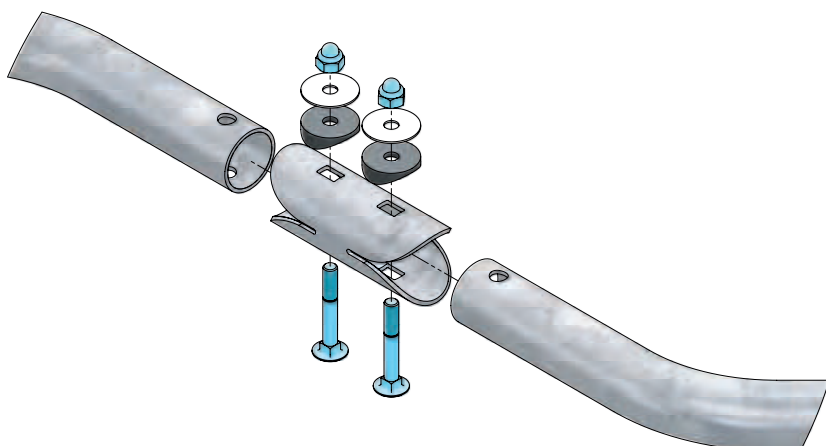
The wave of the neck rail guides the animal to the centre of the cubicle, where she will stand up and lie down. This will make the animal lie straighter with less manure left in the stall. Flexible assembly results in the ideal dimensions.

Many cubicles are too small (too narrow, too short, too low) for today's large cows. The waved neck rail makes better use of the space in the front of the stall. The wither height of the stall can be increased by as much as 30 centimetres.

Through its shape, the attachment point of the waved neck rail lies further to the back; that makes the overall cubicle construction more stable and stronger.

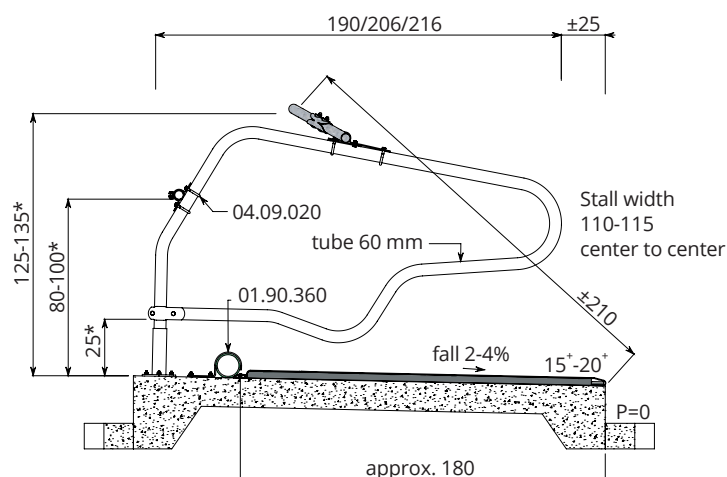
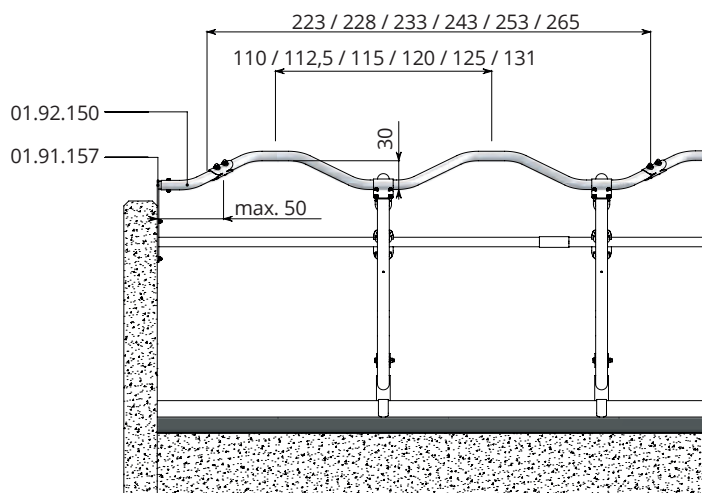
Important features:

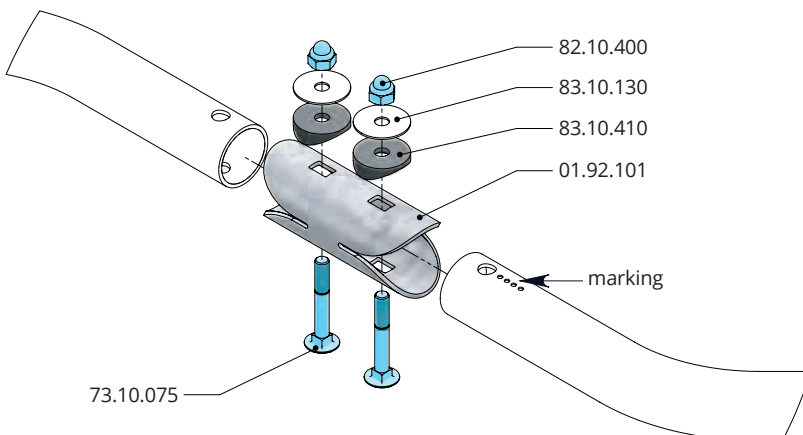
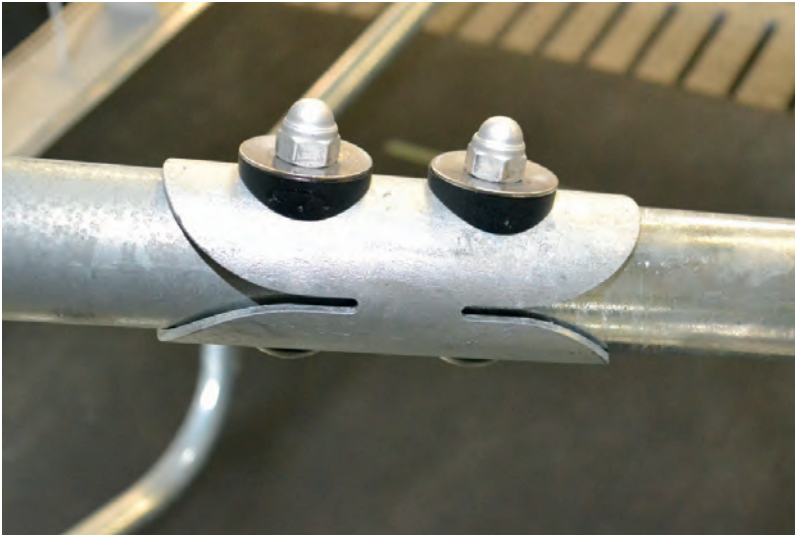
- The waved neck rail allows the variable adjustment in a diagonal manner;
- Move the neck rail clamp back -> more stability;
- Can be universally used for any type of freestall divider;
- Steering effect, the cow is forced to stand straight up in the stall;
- Available for stall widths of 110, 112.5, 115, 120, 125 and 131 cm;
- The combination of waved neck bars of different dimensions (alternating assembly) allows the filling of the stall widths in between. E.g. assembly of alternating 2 x 115 and 2 x 120 for a row with a stall width of 117.5 cm;
- Linked per 2 stalls.



01.92.110	Waved neck bar 2 x 110 cm
01.92.112	Waved neck bar 2 x 112,5 cm
01.92.115	Waved neck bar 2 x 115 cm
01.92.120	Waved neck bar 2 x 120 cm
01.92.125	Waved neck bar 2 x 125 cm
01.92.131	Waved neck bar 2 x 131 cm
01.92.150	Starting wave neck bar - 50 cm
Fittings wall fastening	
01.91.157	End coupling extended for waved neck bar
11.11.210	Floor anchor M10 x 71 mm (2 per end coupling)

* - measured from the top of the cow mattress





01.92.100	Connecting for waved neckbar	
	Connecting kit waved neckbar cpl.	
01.92.101	Lose components	
	Coupling tube waved neck bar	
	82.10.400	Self locking capped nut M10
	83.10.130	Washer M10 (10x40x1.5)
	83.10.410	Saddle ring 57x10 r20 black plastic
73.10.075	Coach bolt M10x75	
	Identification of waved neck bar	marking
01.92.110	Waved neck bar 2 x 110 cm	o
01.92.112	Waved neck bar 2 x 112,5 cm	oo
01.92.115	Waved neck bar 2 x 115 cm	ooo
01.92.120	Waved neck bar 2 x 120 cm	oooo
01.92.125	Waved neck bar 2 x 125 cm	ooooo
01.92.131	Waved neck bar 2 x 131 cm	oooooo



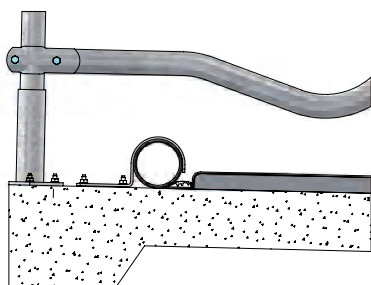
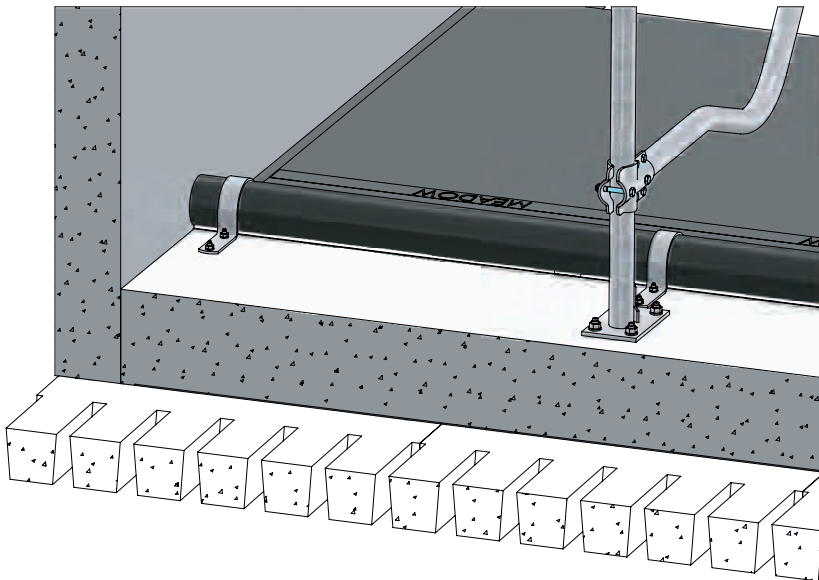
PE retaining knee rail

An ideal solution, to prevent the cows from going too far to the front in the stall, is to install a polyethelene (PE) knee rail. The PE knee rail guides the animal into the perfect position when laying down. As a result the animals will stand up with more ease and the stalls will stay much cleaner. The cows can stretch their front legs comfortably over the rail. The characteristic of polyethelene that it will stay flexible, prevents the knee rail from breaking.

The knee rail can be mounted directly to the concrete floor with a special mounting clip.

Important characteristics:

- PE stays flexible, therefore very durable;
- Robust, material thickness 7,4/9,5 mm;
- Round shape; does not pinch in the legs;
- Can be used with all kinds of bedding materials;



- Mounting clip for knee rail PE125, 160

PE125 knee rail, material thickness 7,4 mm

- | | |
|------------------|---|
| 01.90.350 | PE125 knee rail, length 6 m |
| 01.90.352 | Coupling for PE125 knee rail |
| 01.90.360 | Mounting clip for knee rail PE125 |
| 11.11.210 | Floor anchor M10 x 71 (2 pc. per mounting clip) |

PE160 knee rail, material thickness 9,5 mm

- | | |
|------------------|---|
| 01.90.355 | PE160 knee rail, length 6 m |
| 01.90.354 | Coupling for PE160 knee rail |
| 01.90.362 | Mounting clip for knee rail PE160 |
| 11.11.210 | Floor anchor M10 x 71 (2 pc. per mounting clip) |

Meadow Next mattress

The Meadow Next mattress is soft and extremely resilient. For this reason the cows will lie down comfortably for a long period of time, and the surface of the mattress will keep its even shape. The main part of the day cows are lying down to ruminate. While in the barn, dairy cows prefer a stall with a soft bedding. This results in longer hours of resting and therefore the cows will be in a good condition to produce more milk.

Soft and resilient

The Meadow mattress is composed out of a high quality latex foam, surrounded with PVC wrap and a rubber top mat. The total thickness of the mattress is 4 cm (for heifers 3,3 cm).

Durable top mat on a roll

The 4 mm thick top mat (for heifers 3,2 mm) is made of rubber with a carcass of a strong ply of polyester-nylon. The mat is attached to the floor on all sides. This to prevent moisture and manure from creeping underneath the top mat, which is essential for the hygiene and durability of the latex foam layer. Moreover the top mat is exceedingly durable.

Secure grip for lying down and getting up

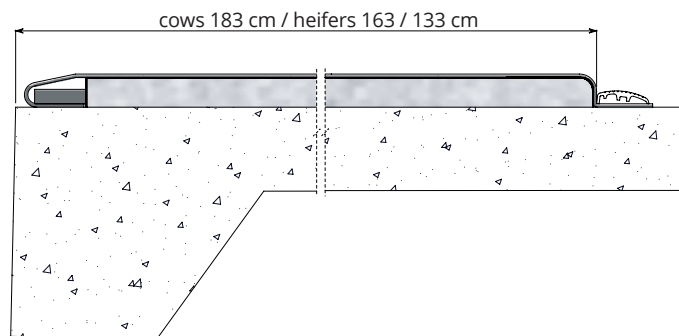
The non-skid top surface of the Meadow Next mattress provides the cows with sufficient grip for laying down and getting up.

Protection at the rear

The rear of the stall endures the most wear by way of cow traffic. The top mat is fastened at the rear with a solid rubber/plastic strip 60 mm wide. This also gives the advantage that the mattress slopes down, so moisture will drain and the mattress is easy to clean.

Easy to mount

Mounting is simple. At the rear the mattress is attached to the floor with a flexible rubber strip and at the front and sides with aluminium or PVC mounting profiles. Special nails are used for secure mounting. After drilling a hole the nails can be hammered in the concrete without using a plug.



Longevity

The Meadow Next mattress is very durable, whilst retaining its comfort. With a warranty of 10 years on the top mat it is a solid investment (ask for warranty details).

Available for cows and heifers

The Meadow Next mattress is available in sizes for cows and heifers.

Cows

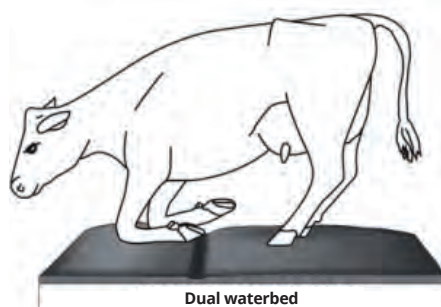
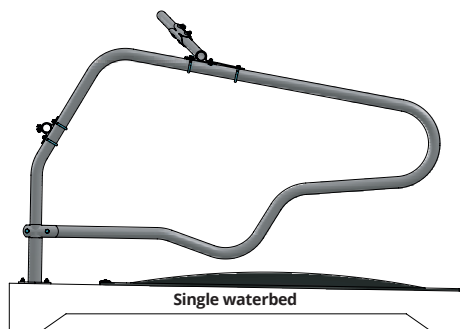
- Thickness: 4 cm
- Width: 185 cm
- Top mat: rubber with nylon carcass 4 mm, width 200 cm
- Mounting: Rubber strip 20 x 60 mm and aluminum profiles

Heifers

- Thickness: 3,3 cm
- Width: 165 / 135 cm
- Top mat: rubber with nylon carcass 3,2 mm, width 180 cm
- Mounting: plastic strip 15 x 60 mm and aluminum profiles



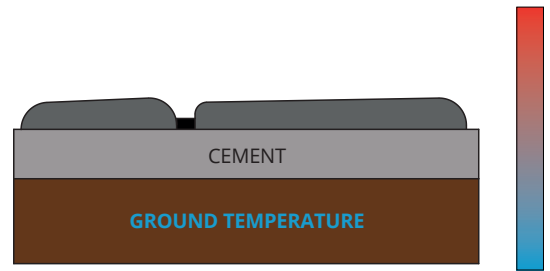
Meadow Next mattress for cows	
05.06.100	Meadow mattress 185 cm, per meter Mounting materials included
05.10.830	Aluminum mounting profile 180 cm - nails included
05.07.500	Additional charge ordering less than 10 m
Meadow Next mattress for heifers	
05.06.165	Meadow mattress 165 cm, per meter Mounting materials included
05.10.832	Aluminum mounting profile 160 cm - nails included
05.06.135	Meadow mattress 135 cm, per meter Mounting materials included
05.10.834	Aluminum mounting profile 130 cm - nails included
05.07.500	Additional charge ordering less than 10 m



Waterbeds

Waterbeds provide optimal lying comfort. When the animals lie down, they are floating on a layer of water to avoid any pressure points; this will result in fewer joint problems and better animal welfare. With the cows standing on the waterbed, their legs will push the water directly underneath aside for a stable position.

A waterbed also has an insulating effect; the water is cooler than the environment in summer, and warmer than the environment in winter. Very pleasant for the animals. On top of that there is a strong relationship between the temperature of the lying area and milk leakage. Cooler means less milk leakage.



Waterbeds will regain their original shape after the animal has moved away; a convex shape. This helps to discharge any moisture from the waterbed and allows for faster drying. Dry and hygienic. A waterbed will therefore require a small amount of litter and, perhaps more importantly, is saving labour for the dairy farmer.

A waterbed consists of two thick layers of rubber that are vulcanised to one another at the edges. Plastic reinforcement is inside the rubber. As a result, the rubber layers are very strong and last a long time. And water? That remains water. In short, a waterbed lasts for many years without compromising the comfort.

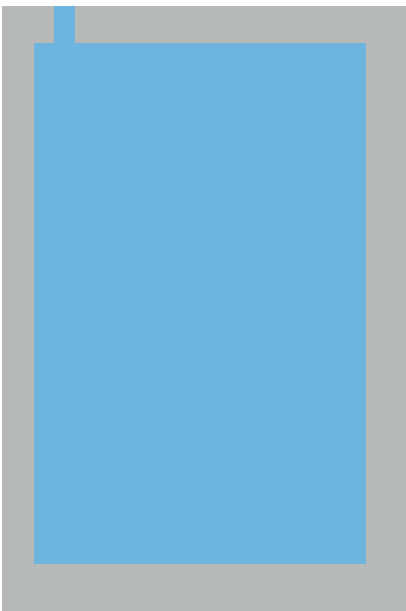
Cost-wise, it can be said that waterbeds constitute a substantial capital expenditure, even more so if compared to deep litter, but in terms of annual expenditure the waterbeds are among the most economical solutions (depreciation over more than 10 years, less labour, less litter, good hygiene).

In short: a waterbed for optimum cow comfort and better returns.

Waterbeds come in a number of widths to suit the various stall widths. The water compartments are sealed with a special shut-off valve.

There are two kinds of waterbeds:

- **Single waterbeds**, in which the water compartment is one unit;
- **Dual waterbeds**, separating the front (knee) from the rear (belly/hock) water compartment. This gives the Dual waterbeds extra knee comfort.



Single Waterbed

The single waterbed consists of one water compartment; so it makes up one large cubicle bed.

Single waterbed, important features:

- Available for various stall widths;
- The standard length is 183 cm;
- 1 filling point, at the front;
- The PE knee bar allows you to set the stall length to suit the herd;
- 10-year reducing guarantee.

Single Waterbed

Delivered on customer defined length per cubicle row, including:

- 2 stainless steel side profiles for waterbed 183 per defined length
- total amount of aluminum top-strips
- total amount of stainless steel nails
- total amount of stainless steel closures.

Freestall width:

- 05.02.110 110 cm
- 05.02.112 112,5 cm
- 05.02.115 115 cm
- 05.02.120 120 cm

Needed per project:

- 05.10.880 Socket punch (1 per delivery)
- 05.10.855 Filling kit, with nozzle, water meter and ball valve

Optional (when needed additionally)

- 05.10.910 Stainless steel side profile for waterbed 183 cm

PE125 knee rail - material thickness 7.3 mm

- 01.90.351 PE125 knee rail - green, length 6 m
- 01.90.364 Coupling for PE125 knee rail
- 01.90.375 Cover for PE 125
- 01.90.360 Mounting clip for knee rail PE125 (1 mounting clip per 1.10 - 1.25 m)
- 11.11.210 Floor anchor M10 x 71 (2 per mounting clip)

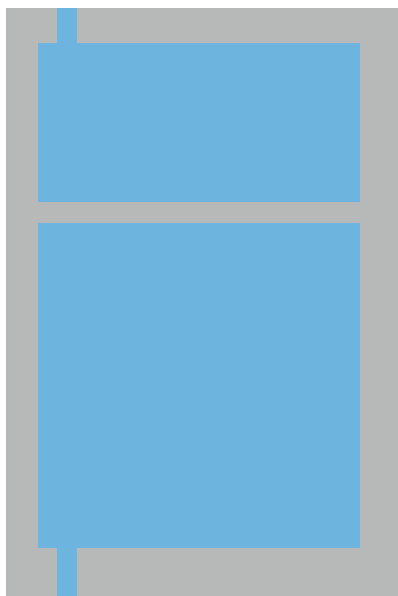


Dual waterbed

In Dual waterbeds is a separation between the front (knee) and the rear (belly/hock) water compartment. The knee compartment is filled with water in such a way that a cushion of water is always present under the cow's knees when she is lying down. The details of comfort!

Dual waterbed, important features:

- Available for various stall widths;
- The standard length is 183 cm;
- 2 filling points, 1 on the front and 1 on the back;
- The PE knee bar allows you to set the stall length to suit the herd;
- 10-year reducing guarantee.



Dual waterbed

Delivered on customer defined length per cubicle row, including:

- 2 stainless steel side profiles for waterbed 183 per defined length
- total amount of aluminum top-strips
- total amount of stainless steel nails
- total amount of stainless steel closures.

Freestall width:

- 05.03.110 110 cm
- 05.03.112 112,5 cm (44")
- 05.03.115 115 cm
- 05.03.117 46" (117 cm)
- 05.03.120 120 cm
- 05.03.122 48" (122 cm)
- 05.03.125 125 cm

Junior: for Bed sizes:

- 05.03.086 86,3 x 160 cm (6 - 10 months)
- 05.03.096 96,5 x 183 cm (10 - 18 months)
- 05.03.107 107 x 183 cm (18 - 22 months)

Needed per project:

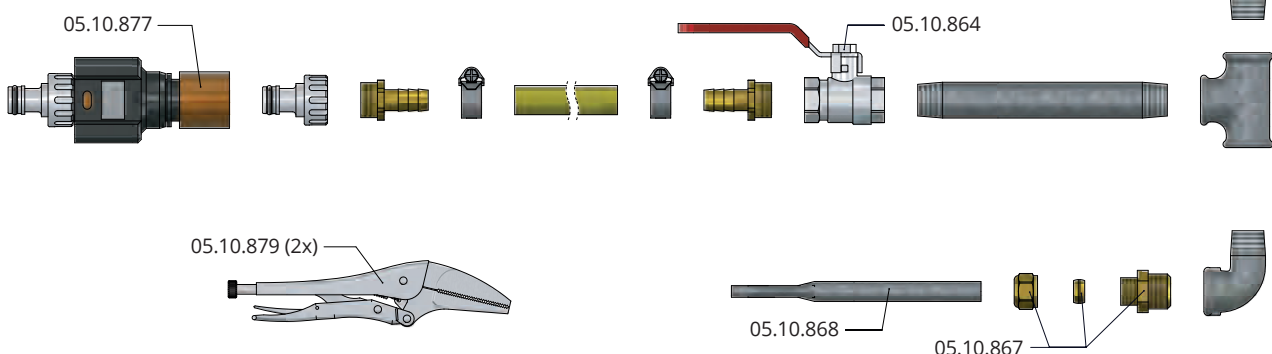
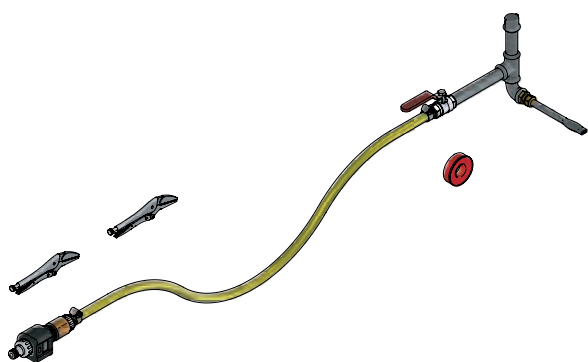
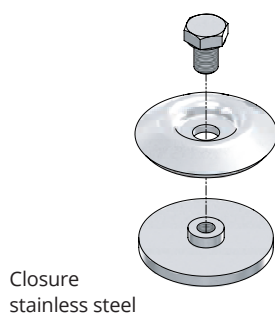
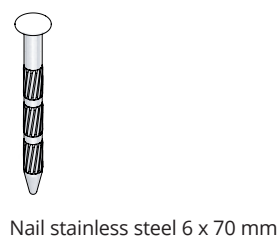
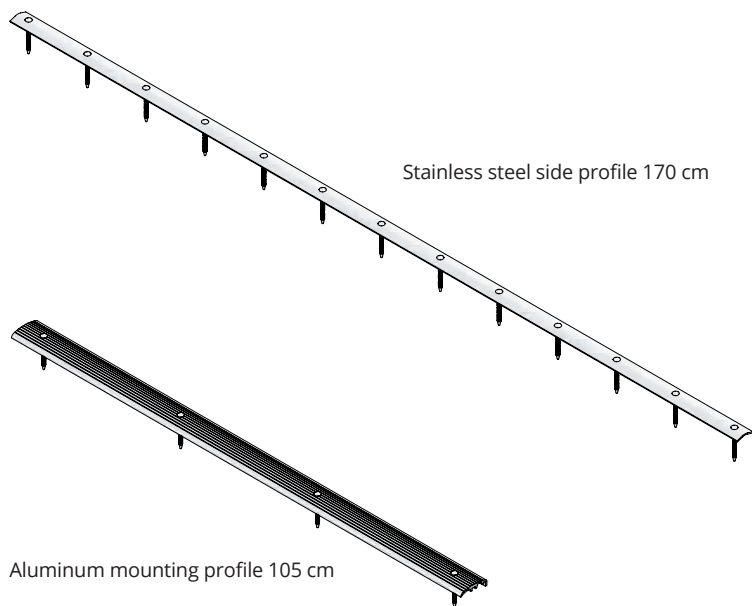
- 05.10.880 Socket punch (1 per delivery)
- 05.10.855 Filling kit, with nozzle, water meter and ball valve

Optional (when needed additionally)

- 05.10.910 Stainless steel side profile for waterbed 183 cm
- 05.10.905 Stainless steel side profile for waterbed 160 cm

PE125 knee rail - material thickness 7.3 mm

- 01.90.351 PE125 knee rail - green, length 6 m
- 01.90.364 Coupling for PE125 knee rail
- 01.90.375 Cover for PE 125
- 01.90.360 Mounting clip for knee rail PE125 (1 mounting clip per 1.10 - 1.25 m)
- 11.11.210 Floor anchor M10 x 71 (2 per mounting clip)



Accessories waterbeds

With every order (with itemnumber 05.02.xxx, 05.03.xxx and 05.04.xxx) a total amount of the aluminum top-strips, stainless steel side profiles, stainless steel nails and stainless steel closures is included.

Only order the below itemnumbers when additional aluminum top-strips, stainless steel side profiles, stainless steel nails and stainless steel closures are needed.

Optional (when needed additionally)

Delivered on customer defined lenght per cubicle row, including:

- 05.10.905** Stainless steel side profile 170cm, nails included, for **Single and Dual waterbed 160 cm**
- 05.10.910** Stainless steel side profile 170cm, nails included, for **Single and Dual waterbed 183 cm**
- 05.10.920** Stainless steel side profile 180cm, nails included, for **Single waterbed (FriesKo) 190 cm**
- 05.10.606** Aluminum mounting profile 100 cm, nails included, for **waterbed 86,3 cm**
- 05.10.608** Aluminum mounting profile 100 cm, nails included, for **waterbed 96,5 cm**
- 05.10.610** Aluminum mounting profile 100 cm, nails included, for **waterbed 110 en 112,5 cm**
- 05.10.612** Aluminum mounting profile 105 cm, nails included, for **waterbed 115 cm**
- 05.10.614** Aluminum mounting profile 110 cm, nails included, for **waterbed ≥ 120 cm**
- 11.09.850** Nail stainless steel 6 x 70 mm (Is used by default in above stainless steel and aluminum mounting profiles)
- 11.09.855** Nail stainless steel 6 x 90 mm
- 05.04.001** Closure, stainless steel

Filling kit waterbed

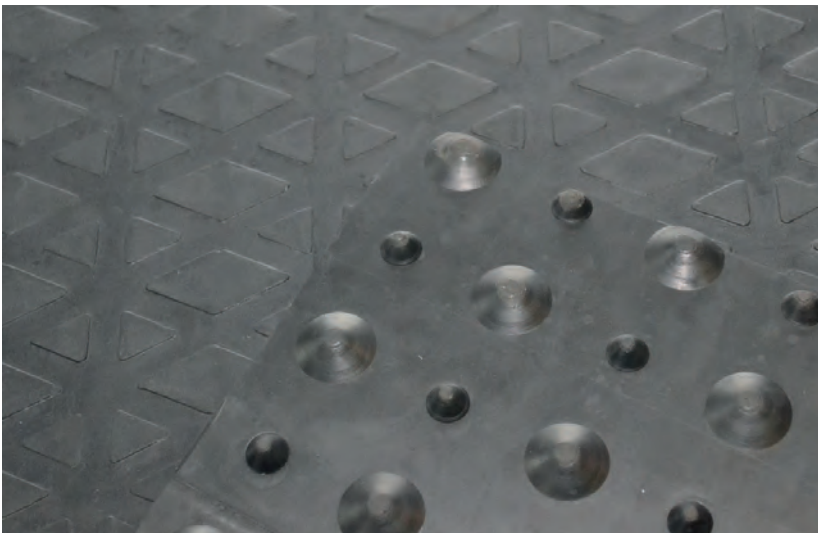
- 05.10.855** Filling kit, with nozzle, water meter and ball valve

Lose components

- 05.10.877** Water meter with digital display in liters
- 05.10.864** Ball valve female/female thread ½" B.S.P.
- 05.10.868** Oval nozzle, metal, diameter 12 mm, L=150 mm
- 05.10.867** Transition coupling (cutting ring fitting) ½" B.S.P. - 12 mm
- 05.10.879** Locking pliers, L=150 mm



• Studded rubber mat



• Studded rubber mat



• Galvanized fastening profiles are installed with concrete screws

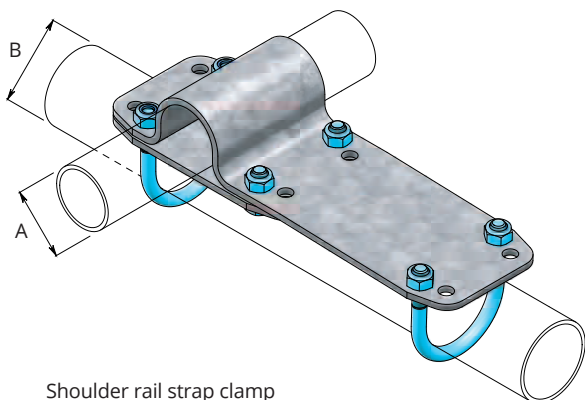
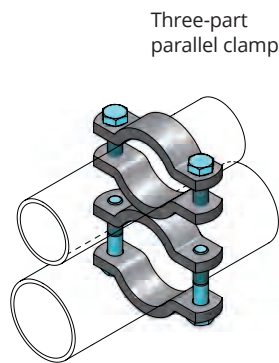
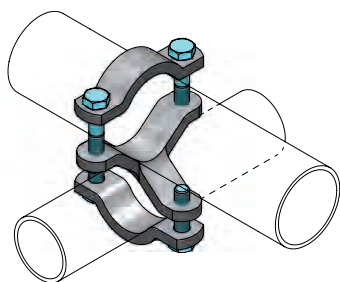
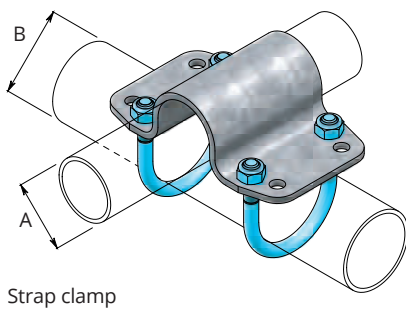
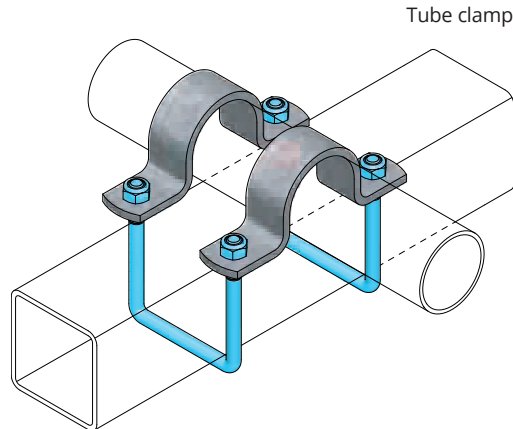
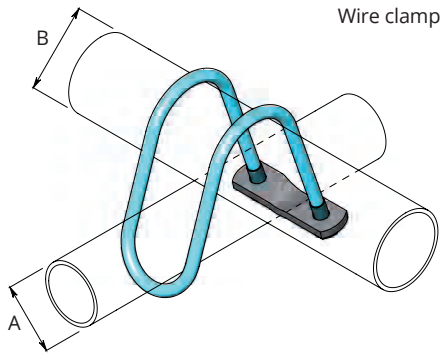
Studded rubber mat

The studded mats are made of flexible rubber with a closed structure; this structure makes it hard for dirt to cake to the mat and makes cleaning easy. The fabric reinforcement provides a stable and solid mat. The studs underneath the mat have a spring-type effect for better lying comfort. The mats are available by the roll or cut to size. Easy to assemble and suitable for almost any freestall dividers.

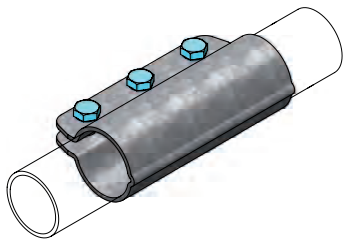
Important features

- Durable;
- Permanently flexible;
- Non-slip;
- Thickness 18 mm;
- Width: 180 and 160 cm;
- Available by the roll (60 m) or cut to size.

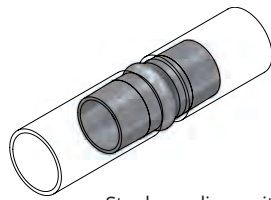
Studded rubber mat: width 180 cm	
05.20.181	Full coil, length 60 m
05.20.280	Cut to desired length (max. 60 m), per meter
Fittings	
05.10.705	Fastening profile for top side 200 cm, screws included
05.10.710	Fastening profile for the sides, length 175 cm, for studded rubber mat 180 cm, screws included
Studded rubber mat: width 160 cm	
05.20.161	Full coil, length 60 m
05.20.260	Cut to desired length (max. 60 m), per meter
Fittings	
05.10.705	Fastening profile for top side 200 cm, screws included
05.10.720	Fastening profile for the sides, length 150 cm, for studded rubber mat 160 cm, screws included



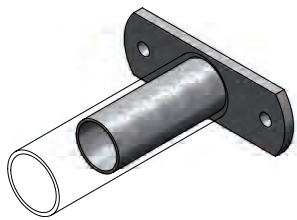
<p>04.04.005 04.04.010 04.04.015 04.04.020</p>	<p>Wire clamp</p> <p>Size A x B 34 x 34 mm (TG245) 48 x 48 mm 48 x 60 mm 76 x 48 mm</p>
	<p>04.22.065 04.22.080 04.22.085</p> <p>Tube clamp</p> <p>For clamping square and round tubing.</p> <p>Size □ 70 ... 80 x 60 mm 60 x 102 mm 60 x 114 mm</p>
	<p>04.09.010 04.09.020 04.09.025 04.09.030 04.09.040 04.09.050 04.09.060</p> <p>Strap clamp</p> <p>Recommended for mounting shoulder rails to freestalls.</p> <p>Size A x B 48 x 48 mm 48 x 60 mm 60 x 60 mm 76 x 48 mm 76 x 60 mm 89 x 48 mm 89 x 60 mm</p>
	<p>04.16.010 04.16.020 04.16.030</p> <p>Three-part parallel clamp</p> <p>Size 48 x 48 mm 48 x 60 mm 60 x 60 mm</p>
<p>04.08.010 04.08.020 04.08.030</p> <p>Cross clamp</p> <p>Size 48 x 48 mm 48 x 60 mm 60 x 60 mm</p>	
<p>04.07.049 04.07.050</p> <p>Shoulder rail strap clamp</p> <p>Specifically made for mounting the shoulder rail to suspended freestalls:</p> <p>Size A x B 48 x 48 mm 48 x 60 mm</p>	



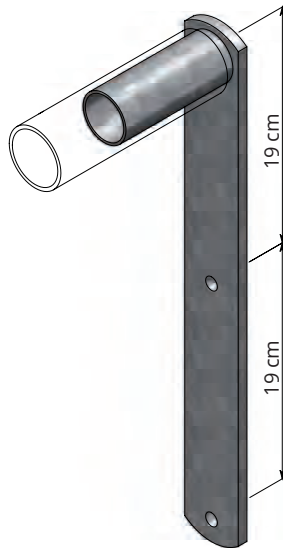
Tube clamp coupling



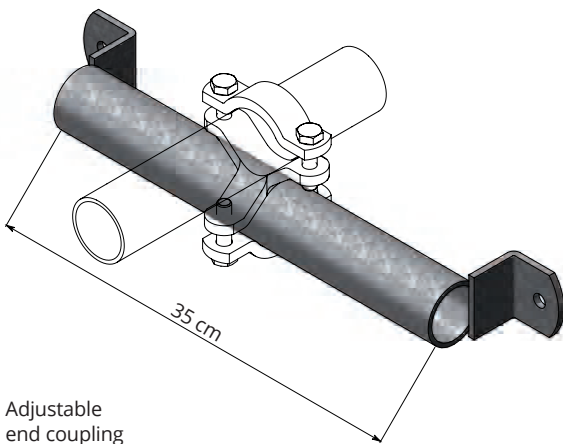
Steel coupling unit



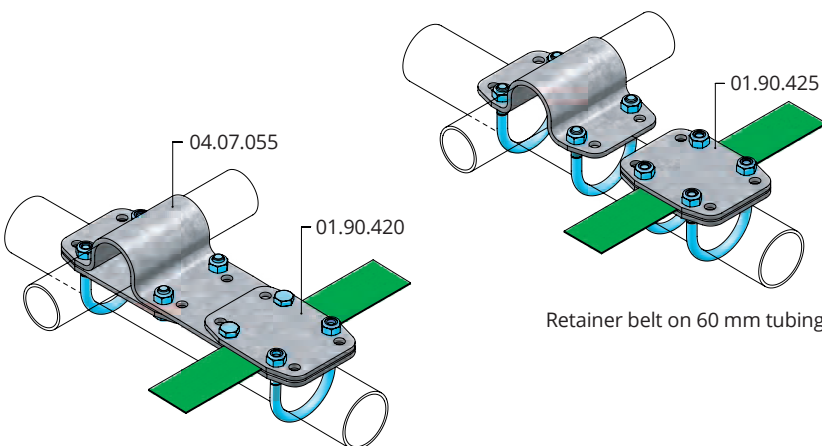
End coupling



Extended end coupling



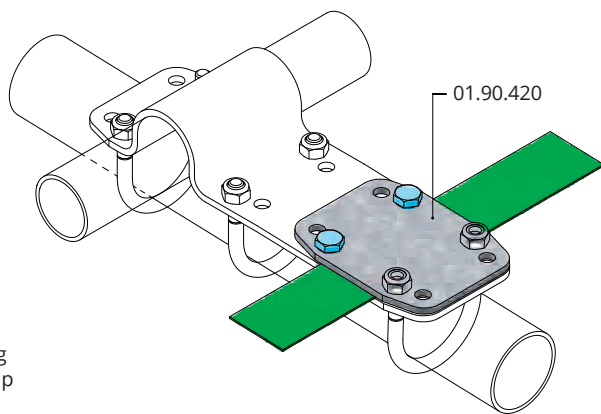
Adjustable end coupling



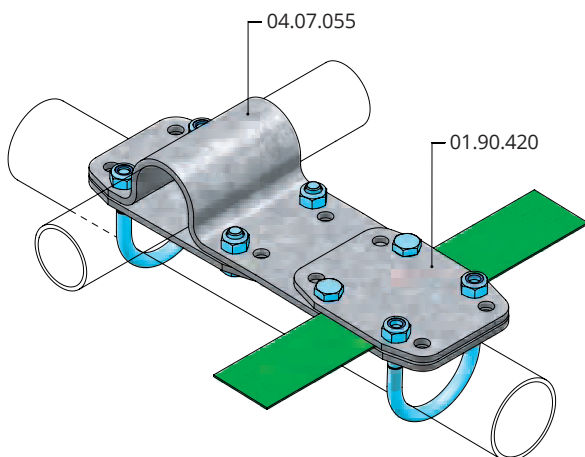
Retainer belt on shoulder rail strap clamp

Retainer belt on 60 mm tubing

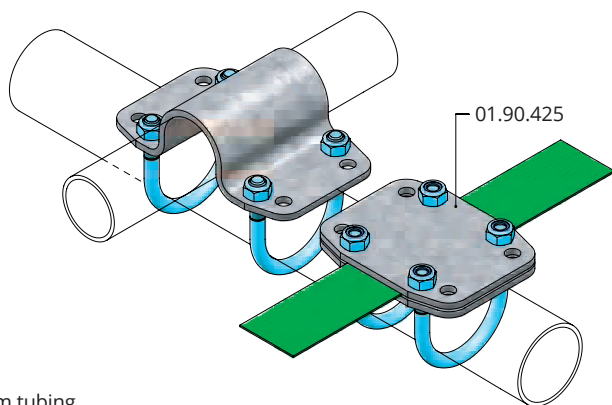
<p>04.21.015 04.21.020</p>	<p>Tube clamp coupling Specially designed tube clamp coupling for extra sturdiness, e.g. for mounting shoulder rails to suspended freestalls. Size For tube 48 mm For tube 60 mm</p>
<p>04.20.015 04.20.020 04.20.025</p>	<p>Steel coupling unit Steel coupling unit to connect tubing. Size For tube 48 mm For tube 60 mm For tube 76 mm</p>
<p>04.24.015 04.24.020</p>	<p>End coupling For mounting tubing to the wall or the floor, e.g. for mounting neck rail to a wall. Size For tube 48 mm For tube 60 mm</p>
<p>04.24.115 04.08.010 04.04.010</p>	<p>End coupling, adjustable For adjustable mounting of the shoulder rail to the wall by means of a wire clamp or cross clamp. Size 48 mm x 35 cm Fittings Cross clamp 48 x 48 mm Wire clamp 48 x 48 mm</p>
<p>04.24.215</p>	<p>Extended end coupling For mounting a shoulder rail to an end wall which is positioned lower.</p>
<p>01.90.400 01.90.405 01.90.420 04.07.055 01.90.425</p>	<p>Retainer belt for freestall dividers A nylon retainer belt instead of a shoulder rail to position the animal. It prevents the cow from rough contact with the shoulder rail. The retainer belt is mounted to each freestall divider with clamps special designed for this product. Retainer belt 50 mm, 100 m roll Retainer belt 50 mm, 50 m roll Belt clamp for mounting on plate clamp (bolts and nuts are included) Shoulder rail strap clamp with additional holes for mounting the retainer belt Belt clamp for 60 mm tubing (threaded straps and nuts are included)</p>



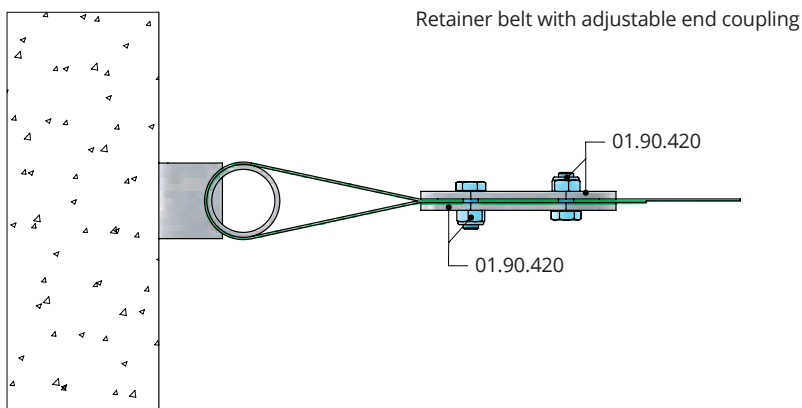
Retainer belt on existing shoulder rail strap clamp (01.90.420 on 04.07....)



Retainer belt on new shoulder rail strap clamp (01.90.420 on 04.07.055)



Retainer belt on 60 mm tubing



Retainer belt with adjustable end coupling

Retaining belt for freestalls

A retainer belt can be installed on all freestall dividers, constructed from 60 mm tubing. The figures shows how to mount the retaining belt to the freestall divider.

When already installed and the shoulder rail has been mounted with a shoulder rail strap clamp, it is sufficient to order the retaining belt and one belt clamp (01.90.420) per freestall divider. When installing one needs to drill two holes in the shoulder rail strap clamp already in place.

In a new situation or when renovating one should order the shoulder rail strap clamp in which the holes for installing a retainer belt are already drilled. Product no. 04.07.055.

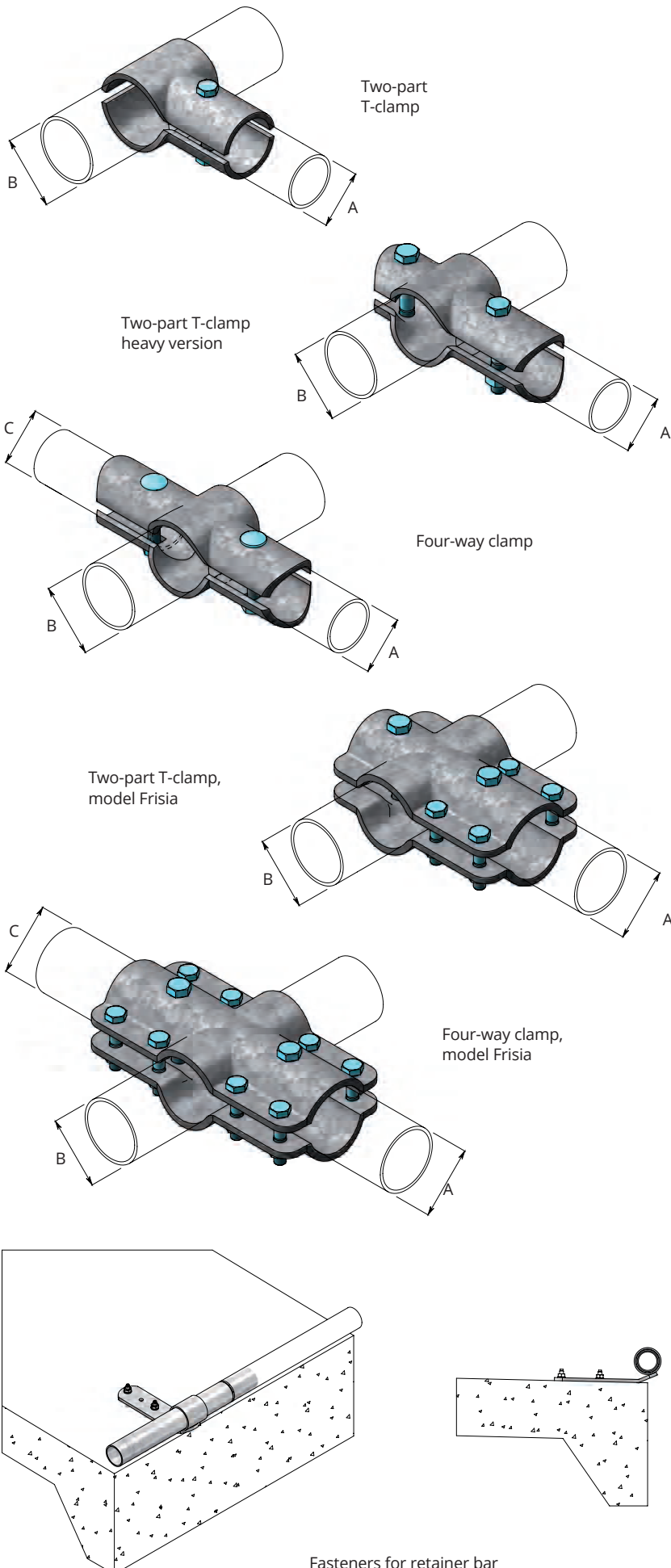
In the event that the shoulder rail has been mounted with just a strap clamp without a plate, the plate clamp 01.90.425 can be used.

When using an adjustable end coupling for mounting the shoulder rail to the wall, one can simply attach the retainer belt on this coupling (see figure). Two belt clamps per adjustable end coupling (01.90.420) are required.

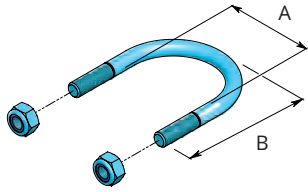
Retainer belt for freestall dividers

A nylon retainer belt instead of a shoulder rail to position the animal. It prevents the cow from rough contact with the shoulder rail. The retainer belt is mounted to each freestall divider with clamps special designed for this product.

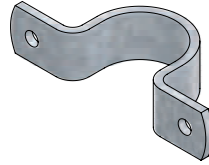
- 01.90.400** Retainer belt 50 mm, 100 m roll
- 01.90.405** Retainer belt 50 mm, 50 m roll
- 01.90.420** Belt clamp for mounting on plate clamp (bolts and nuts are included)
- 04.07.055** Shoulder rail strap clamp with additional holes for mounting the retainer belt
- 01.90.425** Belt clamp for 60 mm tubing (threaded straps and nuts are included)
- 01.90.410** Quick-release fastener for retaining
- 01.90.413** Mounting hook for retaining belt
- 01.90.415** Buckle for retaining belt



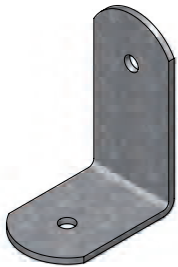
<p>04.12.010 04.12.020 04.12.130 04.12.040 04.12.160 04.12.190</p>	<p>Two-part T-clamp</p> <p>Size A x B 34 x 48 mm 48 x 48 mm 48 x 60 mm 48 x 76 mm 60 x 60 mm (TJ210) 60 x 76 mm (TJ210)</p>
<p>04.13.015 04.13.020 04.13.030 04.13.040</p>	<p>Two-part T-clamp, heavy version</p> <p>Particular solid T-clamp with two bolts for an extra sturdy construction.</p> <p>Size A x B 48 x 48 mm 48 x 60 mm 60 x 60 mm 60 x 76 mm</p>
<p>04.12.025 04.12.030 04.12.035 04.13.035 04.13.045</p>	<p>Four-way clamp</p> <p>Size A x B x C 48 x 48 x 48 mm 48 x 60 x 48 mm 48 x 76 x 48 mm 60 x 60 x 60 mm 60 x 76 x 60 mm</p>
<p>04.13.032 04.13.042</p>	<p>Two-part T-clamp, model Frisia</p> <p>Size A x B 60 x 60 mm 60 x 76 mm</p>
<p>04.13.037 04.13.047</p>	<p>Four-way clamp, model Frisia</p> <p>Size A x B x C 60 x 60 x 60 mm 60 x 76 x 60 mm</p>
<p>01.90.150 01.90.200 01.90.250 11.11.220</p> <p>10.15.610 10.20.610 10.25.610</p>	<p>Fastener for retainer bar at the rear edge of the stall floor</p> <p>Fastener for retainer bar 48 mm Fastener for retainer bar 60 mm Fastener for retainer bar 76 mm Floor anchor bolt M10 x 86 (2 per fastener)</p> <p>Retainer bar (tube with reduced end part), working length 5.90 m Diameter 48 mm Diameter 60 mm Diameter 76 mm</p>



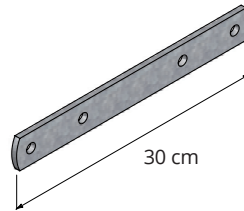
Threaded strap



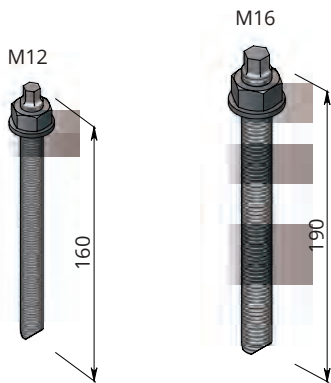
Mounting clip



Angle support



Connecting piece for wooden parts



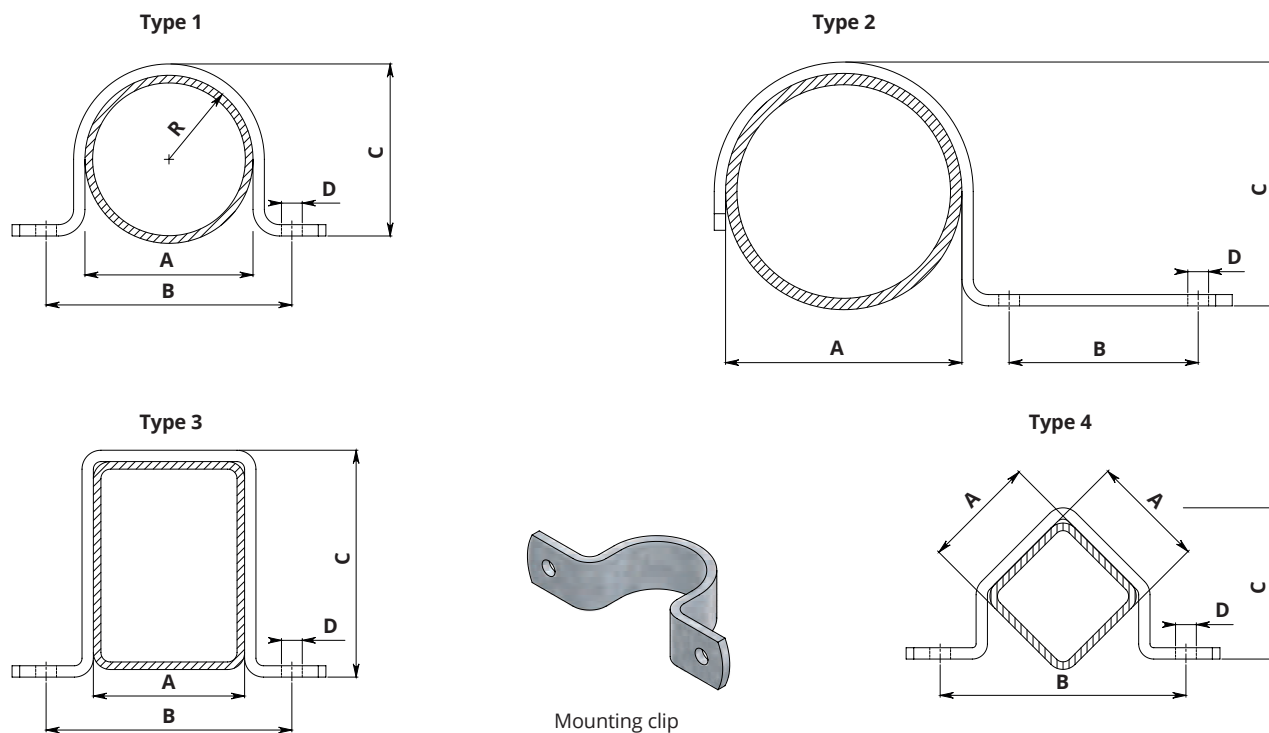
Anchor rod, standard



Floor anchor

item-no.	type	L (mm)	Bore Ø	L (mm)	Nm
11.12.012	M 12	95	14	110	30
11.12.016	M 16	95	18	125	60

	<p>Threaded strap</p> <p>Threaded strap M10, galvanized, nuts included.</p> <p>Size A x B</p> <p>04.53.065 34 x 65 mm 04.53.085 34 x 85 mm 04.55.075 48 x 75 mm 04.56.090 60 x 90 mm 04.57.250 76 x 105 mm 04.66.090 60 x 90 mm 04.80.110 80 x 110 mm</p>
	<p>Threaded strap M12</p> <p>Threaded strap M12, galvanized, nuts included.</p> <p>Maat A x B</p> <p>04.85.095 60 x 90 mm</p>
	<p>Mounting clip</p> <p>04.18.010 34 mm 04.18.015 48 mm 04.18.020 60 mm 04.18.025 76 mm 04.18.030 89 mm 04.18.050 102 mm 04.18.055 108 mm 04.18.040 114 mm 04.18.060 60 x 60 mm 04.18.080 80 x 80 mm 04.18.110 80 x 120 mm</p>
	<p>Angle support</p> <p>For fastening wooden front to the floor, etc.</p> <p>04.28.100 Size 10 x 14 cm</p>
	<p>Connecting piece for wooden parts</p> <p>For connecting wooden parts underneath the feed front.</p> <p>02.96.030</p>
	<p>Floor anchor</p> <p>Steel anchor bolt. Characteristics:</p> <ul style="list-style-type: none"> Hot dip galvanized; Self-locking; Bolt diameter = drill diameter; <p>Diam. x length</p> <p>11.11.210 M10 x 71 mm 11.11.220 M10 x 86 mm 11.11.230 M12 x 86 mm 11.11.240 M12 x 106 mm 11.11.250 M16 x 120 mm</p>
	<p>Stainless Steel floor anchor</p> <p>Characteristics:</p> <ul style="list-style-type: none"> Stainless Steel inox A4; Self-locking; Bolt diameter = drill diameter. <p>Diam. x length</p> <p>11.11.420 M10 x 86 mm - inox A4 11.11.430 M12 x 86 mm - inox A4 11.11.440 M12 x 106 mm - inox A4 11.11.450 M16 x 120 mm - inox A4</p>
	<p>Chemical anchors</p> <p>Concrete anchor, consisting of mortar capsule and hot dip galvanized rod. Characteristics:</p> <ul style="list-style-type: none"> No pre-stress in concrete; Very suitable for our floor mounted support posts; <p>Standard model</p> <p>11.12.012 M12, incl. capsule (10 anchors) 11.12.016 M16, incl. capsule (10 anchors)</p>



Type	Item no.	Mounting clip	A (mm)	B (mm)	C (mm)	D (mm)	Material (mm)
1	04.19.027	Ø 27 mm	27	65	30	Ø 11	30 x 5
1	04.18.010	Ø 34 mm	33,7	85	38	Ø 11	35 x 6
1	04.18.015	Ø 48 mm	48,3	100	51	Ø 11	35 x 6
1	04.18.020	Ø 60 mm	60,3	130	63	Ø 11	35 x 6
1	04.19.070	Ø 70 mm	70	124	72	Ø 13	40 x 6
1	04.18.025	Ø 76 mm	76,1	130	78	Ø 11	35 x 6
1	04.18.030	Ø 89 mm	88,9	130	91	Ø 11	35 x 6
1	04.18.050	Ø 102 mm	102	175	102	Ø 11	35 x 6
1	04.18.055	Ø 108 mm	108	175	109	Ø 11	35 x 6
1	04.19.110	Ø 110 mm	110	154	110	Ø 11	30 x 5
1	04.18.040	Ø 114 mm	114,3	175	115	Ø 11	35 x 6
1	04.19.121	Ø 121 mm	121	180	119	Ø 13	40 x 8
1	04.18.225	Ø 125 mm	125	175	126	Ø 11	35 x 6
1	04.19.133	Ø 133 mm	133	204	138	Ø 17	50 x 10
1	04.19.139	Ø 139 mm	139	214	142	Ø 17	50 x 10
1	04.19.152	Ø 152 mm	152	208	155	Ø 13	40 x 6
1	04.19.160	Ø 160 mm	160	234	159	Ø 16	50 x 10
1	04.19.168	Ø 168 mm	168	236	170	Ø 17	50 x 10
1	04.19.177	Ø 177 mm	177	248	181	Ø 17	50 x 10
1	04.19.194	Ø 194 mm	194	268	198	Ø 17	50 x 10
1	04.19.200	Ø 200 mm	200	260	200	Ø 14	40 x 6
2	01.90.360	Ø 125 mm	125	100	129	Ø 11	50 x 6
2	01.90.362	Ø 160 mm	160	100	158	Ø 11	40 x 6
3	04.18.060	60 x 60 mm	60	130	60	Ø 11	35 x 6
3	04.18.080	80 x 80 mm	80	130	80	Ø 11	35 x 6
3	04.18.110	80 x 120 mm	80	130	120	Ø 11	35 x 6
3	04.18.140	80 x 140 mm	80	130	140	Ø 11	35 x 6
4	04.18.065	60 x 60 mm	60	130	80	Ø 11	35 x 6

cm → feet and inches

	0"	1"	2"	3"	4"	5"	6"	7"	8"	9"	10"	11"
0'	0,0	2,5	5,1	7,6	10,2	12,7	15,2	17,8	20,3	22,9	25,4	27,9
1'	30,5	33,0	35,6	38,1	40,6	43,2	45,7	48,3	50,8	53,3	55,9	58,4
2'	61,0	63,5	66,0	68,6	71,1	73,7	76,2	78,7	81,3	83,8	86,4	88,9
3'	91,4	94,0	96,5	99,1	101,6	104,1	106,7	109,2	111,8	114,3	116,8	119,4
4'	121,9	124,5	127,0	129,5	132,1	134,6	137,2	139,7	142,2	144,8	147,3	149,9
5'	152,4	154,9	157,5	160,0	162,6	165,1	167,6	170,2	172,7	175,3	177,8	180,3
6'	182,9	185,4	188,0	190,5	193,0	195,6	198,1	200,7	203,2	205,7	208,3	210,8
7'	213,4	215,9	218,4	221,0	223,5	226,1	228,6	231,1	233,7	236,2	238,8	241,3
8'	243,8	246,4	248,9	251,5	254,0	256,5	259,1	261,6	264,2	266,7	269,2	271,8
9'	274,3	276,9	279,4	281,9	284,5	287,0	289,6	292,1	294,6	297,2	299,7	302,3
10'	304,8	307,3	309,9	312,4	315,0	317,5	320,0	322,6	325,1	327,7	330,2	332,7
11'	335,3	337,8	340,4	342,9	345,4	348,0	350,5	353,1	355,6	358,1	360,7	363,2
12'	365,8	368,3	370,8	373,4	375,9	378,5	381,0	383,5	386,1	388,6	391,2	393,7
13'	396,2	398,8	401,3	403,9	406,4	408,9	411,5	414,0	416,6	419,1	421,6	424,2
14'	426,7	429,3	431,8	434,3	436,9	439,4	442,0	444,5	447,0	449,6	452,1	454,7
15'	457,2	459,7	462,3	464,8	467,4	469,9	472,4	475,0	477,5	480,1	482,6	485,1
16'	487,7	490,2	492,8	495,3	497,8	500,4	502,9	505,5	508,0	510,5	513,1	515,6
17'	518,2	520,7	523,2	525,8	528,3	530,9	533,4	535,9	538,5	541,0	543,6	546,1
18'	548,6	551,2	553,7	556,3	558,8	561,3	563,9	566,4	569,0	571,5	574,0	576,6
19'	579,1	581,7	584,2	586,7	589,3	591,8	594,4	596,9	599,4	602,0	604,5	607,1
20'	609,6	612,1	614,7	617,2	619,8	622,3	624,8	627,4	629,9	632,5	635,0	637,5

Example: 325,1 cm → 10'8"

1 meter = 100 cm

1 cm = 10 mm

Dimension in mm	Dimension in inches
26,9 mm	-
33,7 mm	1 ³ / ₈ "
42,4 mm	1 ⁵ / ₈ "
48,3 mm	1 ⁷ / ₈ "
60,3 mm	2 ³ / ₈ "
76,1 mm	3"
88,9 mm	3 ¹ / ₂ "
114,3 mm	4 ¹ / ₂ "

Eating

- Highline safety feed front 2.1
- Highline safety feed front for heifers / Jersey's 2.5
- Support post between barn supports 2.6
- Special lengths of Highline safety feed front 2.7
- List of recommended measurements 2.8
- Special lengths Baseline feed front 2.9
- Baseline self-locking feed front 2.10
- Openline self-locking feed front 2.14
- Tombstone feed front 2.16
- Diagonal feed front 2.18
- Special lengths of feed front 2.19
- Tubing feed front for cows, fixed 2.20
- Feed front accessories and fittings 2.21
- Mounting feed fronts to barn post 2.26
- Feed front lengths between wooden posts 2.27
- Feed front parts 2.28
- Tables 2.33



• Safety feed front

• Flap for individual separation



• Lever for central control



Top model safety feed front

A feed front does much more than just giving access to roughage. Spinder's safety feed front was designed with that in mind. The safety feed front offers greater freedom of movement for the cow and ensures peace and quiet during feeding. In addition, a great deal of attention was paid to the safety of animals and humans, operating comfort and efficient working at pairing treatments or individual treatments.

The safety feed front also has a locking system that is fully integrated in the special upper section. The use of high-quality plastics results in a very light selection system, which is just about noiseless. The safety feed front has a multiple operation. All feed openings can be opened and closed together or individually. The operating handle allows you to open and close the feed front (approx. 20 m per lever) in one move. This is particularly an advantage for mechanised feeding techniques. The gate is completely closed for feeding. The gate is opened after feeding. When that happens, the entire group can access the feed at the same time. This will prevent stress in the group.

The Spinder safety feed front has a very large head opening both above and below. In emergency situations, the animals will be able to free themselves via the bottom opening if the upper head opening can no longer be reached. A simple operation makes it possible to put the feed front in this safety or night setting. The bottom head opening can also be opened individually for each cow by means of a handy button operation. The safety feed front also offers the possibility of separating one or more cows easily by means of an additional control flap. By simply flicking this flap above one or several cows, it will be easy to quickly determine which cows to separate from the rest. Using the central operating lever, you can subsequently release all other animals.

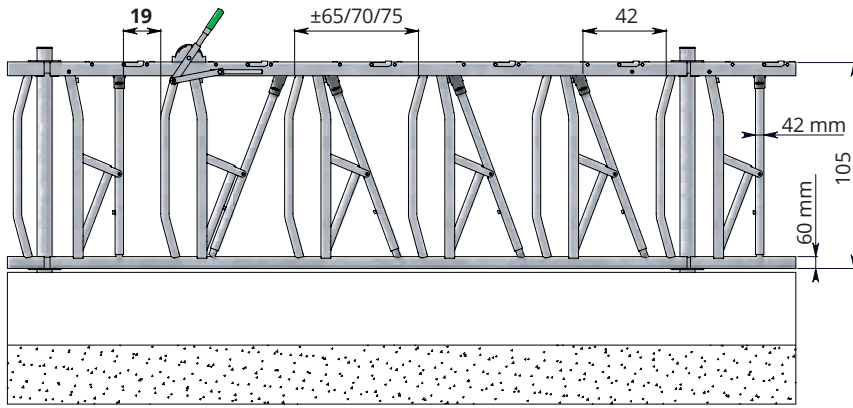
Important features:

- Extremely robust construction;
- Extra large feed opening (42 cm) thanks to a special construction;
- Ear tag friendly;
- Very low noise thanks to the use of sound-absorbing materials;
- Simple operation that requires very little power;
- Open position where the animals can move their heads freely in and out of the feed front;
- Self-locking position where the animals lock themselves in place while eating;
- Closed position, in which the feed front can be completely locked in one move;
- Convenient button operation to individually release the animals;
- Possibility of individual separation;
- Height of the feed front 105 cm.

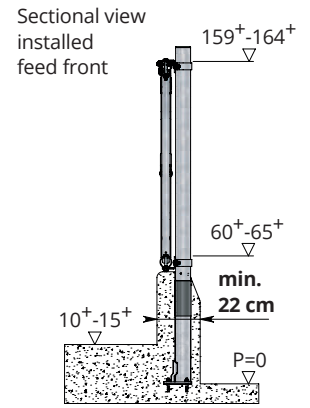
Assembly

The assembly of the safety feed front to the 76 mm support posts is by way of our universal fasteners.

These allow the length of a feed front element to be increased by as much as 5 cm. If not sufficient, longer attachment parts are available from Spinder. By mounting a so-called hinge assembly, any feed front element can be turned into a rotating gate. The locking mechanism of a rotating feed front is operated separately.



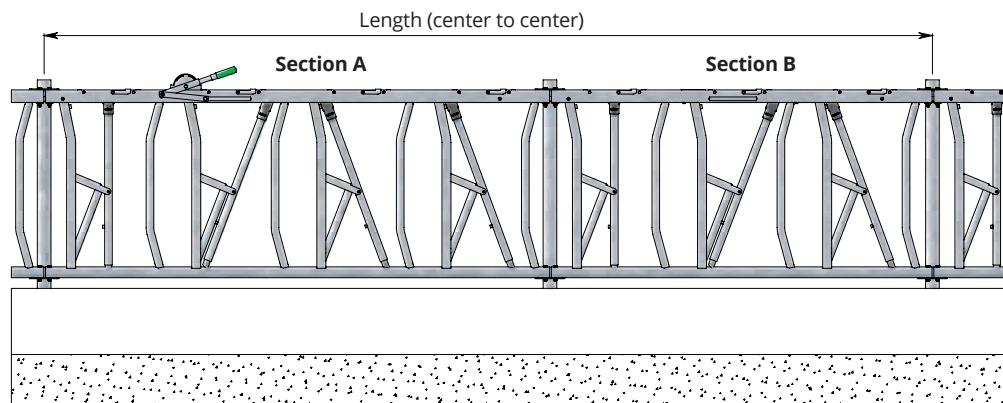
model 24.72



Heavy constructed self-locking safety feed front with the hidden locking mechanism totally integrated in the top railing.

	Length (center to center)	Feeding place width	Fittings
24.72.720 °	495 cm* (7 feed openings)	approx. 70 cm	10.25.200 Support post 76 mm x 200 cm
24.72.620 °	435 cm* (6 feed openings)	approx. 70 cm	11.02.250 Plastic protective sleeve 76 mm
24.72.520	355 cm (5 feed openings)	approx. 70 cm	10.26.170 Floor-mounted support post 76 mm x 170 cm
24.72.500	325 cm (5 feed openings)	approx. 65 cm	11.06.250 Stopper 76 mm
24.72.440	300 cm (4 feed openings)	approx. 75 cm	02.91.100 Set of feed front fasteners 76 mm
24.72.420	283 cm (4 feed openings)	approx. 70 cm	22.92.500 Operating handle
24.72.400	262 cm (4 feed openings)	approx. 65 cm	24.72.080 Centre fastening 60 mm lower bar on concrete wall; including anchor bolts.
24.72.340	225 cm (3 feed openings)	approx. 75 cm	02.90.880 Hinge assembly for gate
24.72.320	214 cm (3 feed openings)	approx. 70 cm	02.90.975 Castor wheel (for gates longer than 2 m)
24.72.300	199 cm (3 feed openings)	approx. 65 cm	
24.72.240	150 cm (2 feed openings)	approx. 75 cm	
24.72.200	136 cm (2 feed openings)	approx. 65 cm	

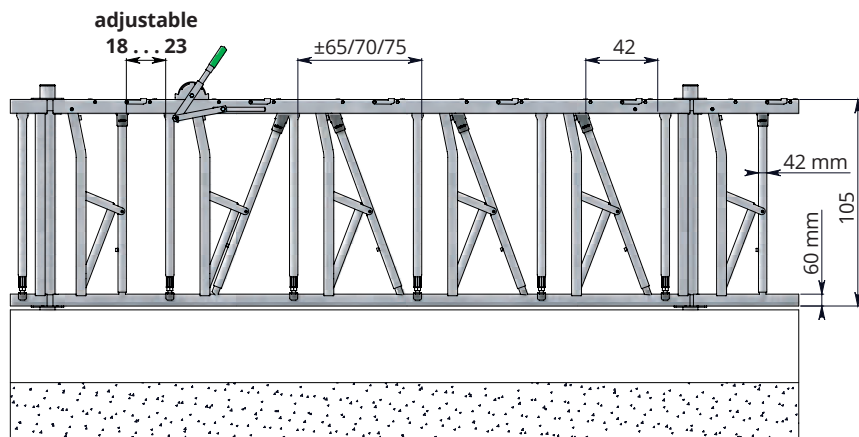
* An extra support post needs to be placed per element.
 Assembly drawing on application. In case the feed front is suspended slightly tilted forward (approx. 15 cm), it is sufficient to attach a centre fastening (24.72.080) to the lower bar instead of a support post.
 ° Item numbers 24.72.720 and 24.72.620 are not stock items. Produced to order.



Almost all clearances of over 3.25 meters between posts, can be filled with a combination of the above mentioned standard feed fronts. The following table shows solutions for some frequent situations. The combination of a standard feed front and the correct feed front fastener leads almost always to a solution for clearances up to 3.25 mtr.

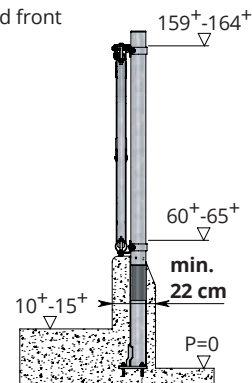
Length (center to center)	Section A	Section B	Feed front fasteners
600 cm (9 feed openings)	(325 cm) 24.72.500	(262 cm) 24.72.400	02.91.200 (5 - 10 cm) *
500 cm (7 feed openings)	(495 cm) 24.72.720	-	02.91.100 (0 - 5 cm)
500 cm (7 feed openings)	(283 cm) 24.72.420	(214 cm) 24.72.320	02.91.100 (0 - 5 cm)
475 cm (7 feed openings)	(262 cm) 24.72.400	(199 cm) 24.72.300	02.91.200 (5 - 10 cm) *
450 cm (7 feed openings)	(435 cm) 24.72.620	-	02.91.300 (10-20 cm) *
450 cm (6 feed openings)	(225 cm) 24.72.340	(225 cm) 24.72.340	02.91.100 (0 - 5 cm)
440 cm (6 feed openings)	(435 cm) 24.72.620	-	02.91.100 (0 - 5 cm)

* For feed front fasteners of 5-10 cm and 10-20 cm, longer connecting strips need to be ordered.



model 24.70

Sectional view installed feed front

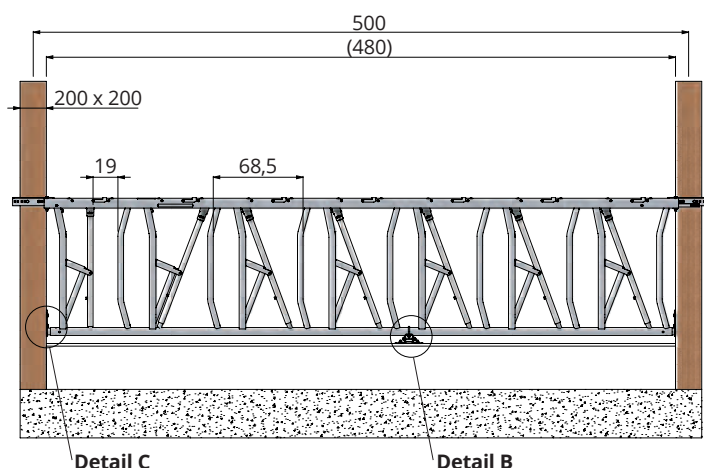
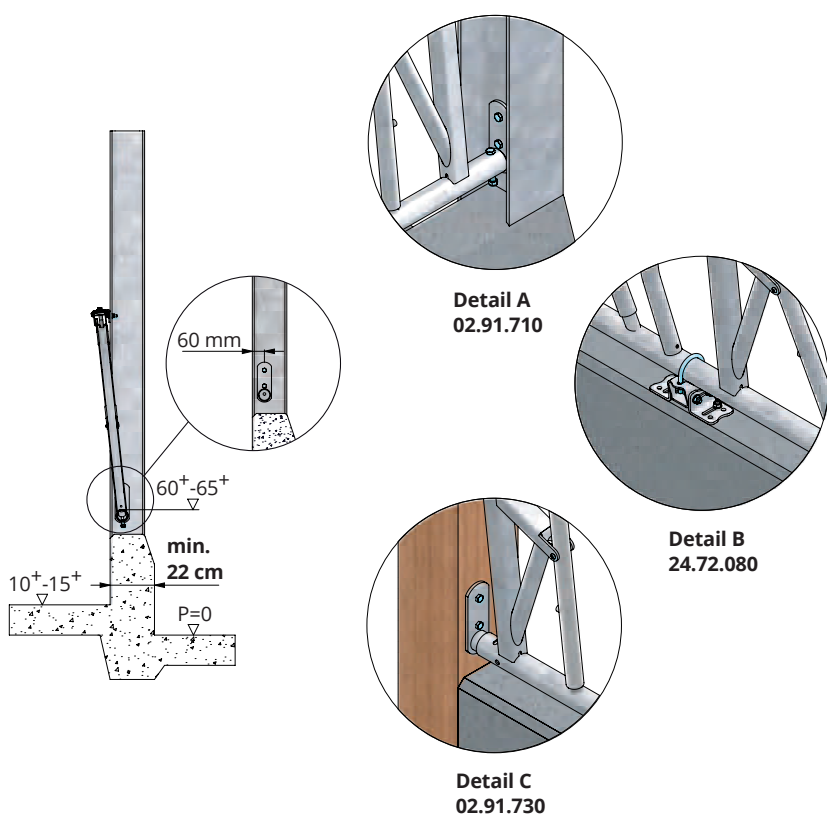
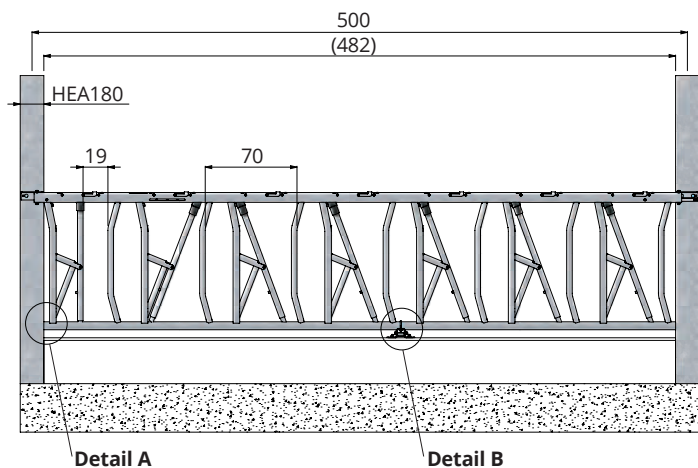


Heavy constructed self-locking safety feed front with the hidden locking mechanism totally integrated in the top railing.

	Length (center to center)	Feeding place width		Fittings
24.70.720	495 cm* (7 feed openings)	approx. 70 cm	10.25.200	Support post 76 mm x 200 cm
24.70.620	435 cm* (6 feed openings)	approx. 70 cm	11.02.250	Plastic protective sleeve 76 mm
24.70.520	355 cm (5 feed openings)	approx. 70 cm	10.26.170	Floor-mounted support post 76 mm x 170 cm
24.70.500	325 cm (5 feed openings)	approx. 65 cm	11.06.250	Stopper 76 mm
24.70.440	300 cm (4 feed openings)	approx. 75 cm	02.91.100	Set of feed front fasteners 76 mm
24.70.420	283 cm (4 feed openings)	approx. 70 cm	22.92.500	Operating handle
24.70.400	262 cm (4 feed openings)	approx. 65 cm	24.72.080	Centre fastening 60 mm lower bar on concrete wall; including anchor bolts.
24.70.340	225 cm (3 feed openings)	approx. 75 cm	02.90.880	Hinge assembly for gate
24.70.320	214 cm (3 feed openings)	approx. 70 cm	02.90.975	Castor wheel (for gates longer than 2 m)
24.70.300	199 cm (3 feed openings)	approx. 65 cm		
24.70.240	150 cm (2 feed openings)	approx. 75 cm		
24.70.200	136 cm (2 feed openings)	approx. 65 cm		

* An extra support post needs to be placed per element.
Assembly drawing on application.





On this page we present two solutions for the installation of Highline feed fronts to support columns measuring 5.00 m centre-to-centre. The choice was made to attach it to HEA180 posts or to square (wooden) columns 200 mm.

Points of departure:

- The feed front is suspended slightly tilted forward. It means that the upper section is mounted at the front of the columns/support posts and that the lower bar is mounted between the columns/support posts;
- It is not necessary to install a centre support post for a forward leaning feed fence;
- Using a centre fastening, the lower bar must be attached to the concrete wall below the feed front. This is to prevent the long feed front from bending.

HEA180 support posts, centre-to-centre 5.00 m.

- In this situation, the 495 cm long Highline safety feed front 24.72.720 can be used. Feeding place width 70 cm.

24.72.720 Safety feed front 70/105 x 495 cm
7 feed openings

Fittings:

- 02.91.010** Corner piece of feed front fastener, top, 0-5 cm (one for each column)
- 02.91.710** Set of feed front fasteners for 60 mm lower bar between columns/support posts (one set for each feed front), including the required bolts and nuts.
- 24.72.080** Centre fastening 60 mm lower bar on concrete wall, incl. anchor bolts.

Square 200 mm columns (wood), centre-to-centre 5.00 m.

- In this situation, the 485 cm long Highline safety feed front 24.72.780 must be used. **Feeding place width 68.5 cm.**
- The lower bar of the feed front must be shortened during assembly to make it fit between the columns, depending on the dimensions of the columns and the actual centre-to-centre width.

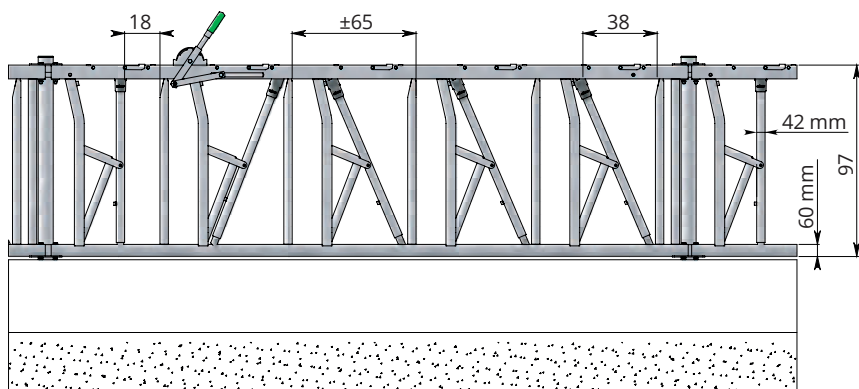
24.72.780 Safety feed front 68,5/105 x 485 cm
7 feed openings

Fittings:

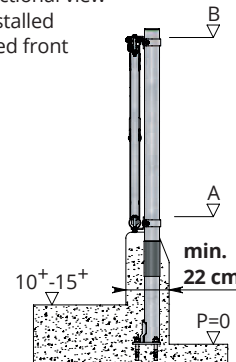
- 02.91.030** Corner piece of feed front fastener, top, 10-20 cm (one for each column)
- 24.72.031** Connector strip for safety feed front 9-19 cm
- 02.91.730** Set of feed front fasteners for 60 mm lower bar between columns/support posts (one set for each feed front), incl. coach screws.
- 24.72.080** Centre fastening 60 mm lower bar on concrete wall, incl. anchor bolts.

Other situations:

- If regulations exclude the use of feed fronts with an exact feeding place width of 68.5 cm and prescribe a width of at least 70 cm, it is still possible to install the complete 495 cm long feed front in front of the support posts in the situation of square 200 mm - 5.00 m centre-to-centre. In this situation (the feed front is in the upright position), a centre support post must be put in place to secure the stability of the fence.
- The method of assembly of long feed fronts shown on this page can also be used for other feed front and column/support post sizes. If necessary, we offer technical support in drawing projects and checks for completeness.



Sectional view installed feed front

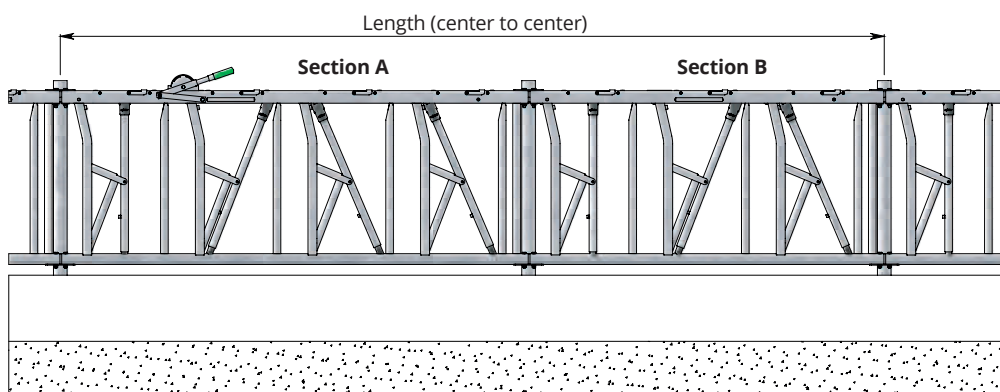


Age	Size A	Size B
Heifers	54 ⁺ -59 ⁺	145 ⁺ -150 ⁺
Jersey's	34 ⁺ -39 ⁺	125 ⁺ -130 ⁺

Heavy constructed self-locking safety feed front with the hidden locking mechanism totally integrated in the top railing.

	Length (center to center)	Feeding place width
24.73.500	325 cm (5 feed openings)	approx. 65 cm
24.73.400	262 cm (4 feed openings)	approx. 65 cm
24.73.300	199 cm (3 feed openings)	approx. 65 cm
24.73.200	136 cm (2 feed openings)	approx. 65 cm

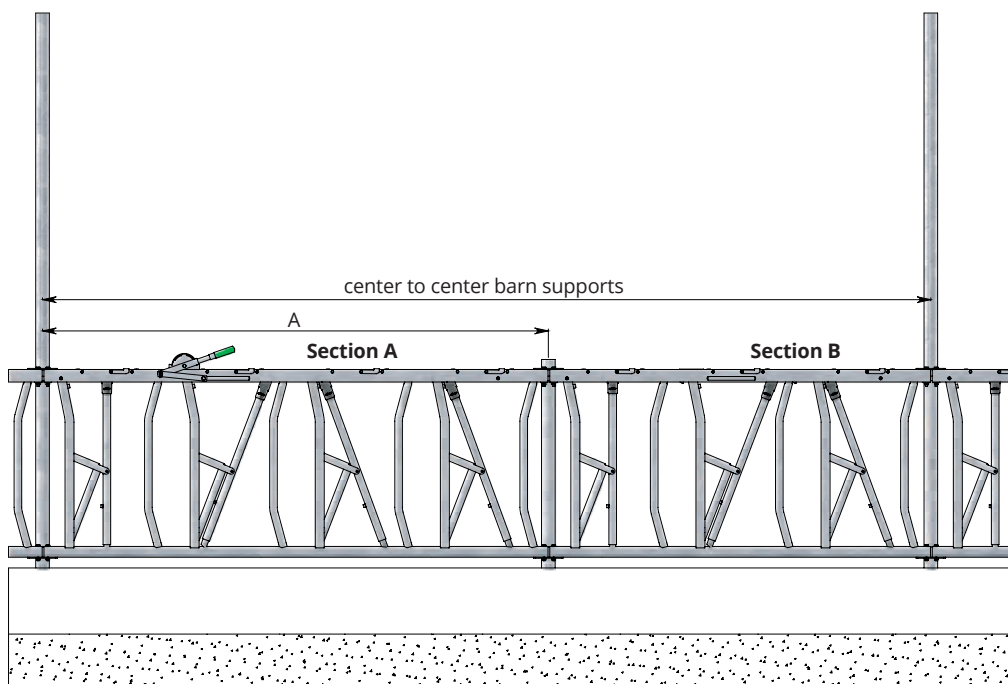
	Fittings
10.25.180	Support post 76 mm x 180 cm
11.02.250	Plastic protective sleeve 76 mm
10.26.160	Floor-mounted support post 76 mm x 160 cm
11.06.250	Stopper 76 mm
02.91.100	Set of feed front fasteners 76 mm
22.92.500	Operating handle
02.90.880	Hinge assembly for gate
02.90.975	Castor wheel (for gates longer than 2 m)



Almost all clearances of over 3.25 meters between posts, can be filled with a combination of the above mentioned standard feed fronts. The following table shows solutions for some frequent situations. The combination of a standard feed front and the correct feed front fastener leads almost always to a solution for clearances up to 3.25 mtr.

Length (center to center)	Section A	Section B	Feed front fasteners
600 cm (9 feed openings)	(325 cm) 24.73.500	(262 cm) 24.73.400	02.91.200 (5 - 10 cm) *
475 cm (7 feed openings)	(262 cm) 24.73.400	(199 cm) 24.73.300	02.91.200 (5 - 10 cm) *

* For feed front fasteners of 5-10 cm and 10-20 cm, longer connecting strips need to be ordered.



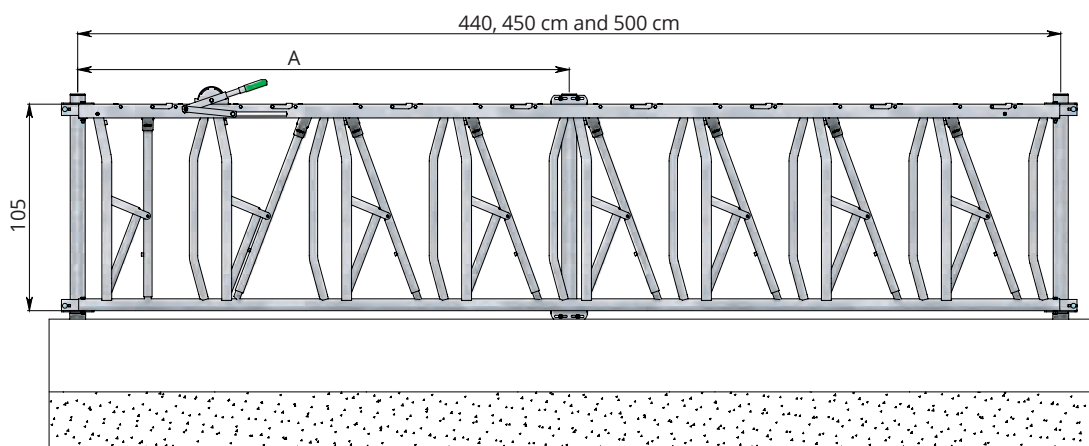
Serie 24.72 and 24.70 safety feed front for cows.

Center to center barn support	Section A	Section B	Feed front fasteners	Length A
600 cm (9 feed openings)	24.72/70.500 (325 cm)	24.72/70.400 (262 cm)	02.91.200 (5-10 cm) *	A = Section A + 6,5 cm
500 cm (7 feed openings)	24.72/70.720 (495 cm)	-	02.91.100 (0 - 5 cm)	A = 282
500 cm (7 feed openings)	24.72/70.420 (283 cm)	24.72/70.320 (214 cm)	02.91.100 (0 - 5 cm)	A = Section A + 2 cm
475 cm (7 feed openings)	24.72/70.400 (262 cm)	24.72/70.300 (199 cm)	02.91.200 (5-10 cm) *	A = Section A + 7 cm
450 cm (7 feed openings)	24.72/70.760 (439 cm)	-	02.91.100 (5-10 cm) *	A = 255
450 cm (6 feed openings)	24.72/70.340 (225 cm)	24.72/70.340 (225 cm)	02.91.100 (0 - 5 cm)	A = Section A + 0 cm
440 cm (7 feed openings)	24.72/70.760 (439 cm)	-	02.91.100 (0 - 5 cm)	A = 250

Serie 24.73 safety feed front for heifers / Jersey's

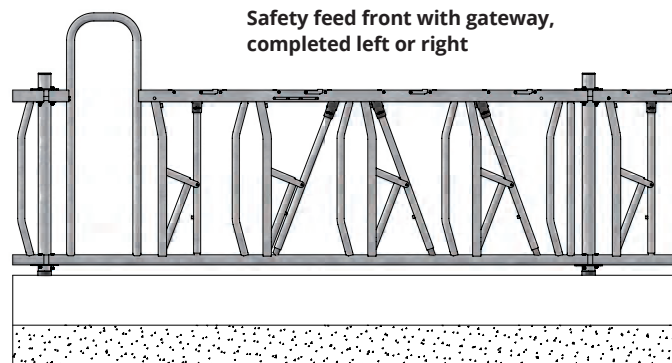
Center to center barn support	Section A	Section B	Feed front fasteners	Length A
600 cm (9 vreetplaatsen)	24.73.500 (325 cm)	24.73.400 (262 cm)	02.91.200 (5-10 cm) *	A = Element A + 6,5 cm
475 cm (7 vreetplaatsen)	24.73.400 (262 cm)	24.73.300 (199 cm)	02.91.200 (5-10 cm) *	A = Element A + 7 cm

* For feed front fasteners of 5-10 cm and 10-20 cm, longer connecting strips need to be ordered.



Procedure to define a feed front (a special version) at places where a standard feed front does not fit.

- yes or no a gateway integrated in the feed front?
- If yes, specify when ordering the position left or right.
- Is the feeding place width determinative, you will find the number of head openings in the table for the required feed front length. (Example: without gateway, fpw is 70 cm, required feed front length = 340 cm → table at the left side → a feed front with 4 head openings).
- Is the starting point a maximal number of head openings, you will find in the table the number of head openings for the required feed front length. (Example: with gateway, required feed front length = 340 cm → table at the right side → feed front with 4 head openings, feeding place width 70 cm).



without gateway

24.70 / 24.72 / 24.73 safety feed front				
f.o.	fp. width 60 Minimum length	fp. width 65 Minimum length	fp. width 70 Minimum length	fp. width 75 Minimum length
1	73	73	73	73
2	134	136	143	148
3	195	199	213	223
4	256	262	283	298
5	317	325	353	373
6	378	388	423	448
7	439	451	493	523
8	500	514	563	598
9	561	577		

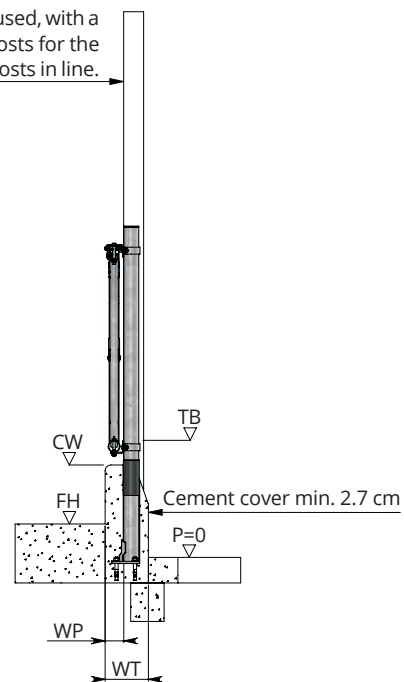
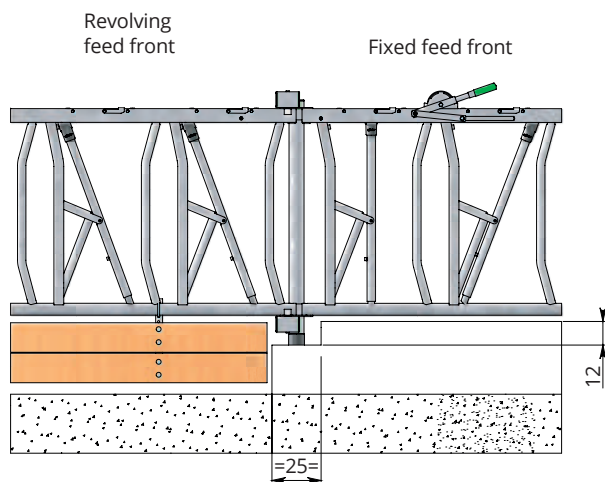


with gateway

24.70 / 24.72 / 24.73 safety feed front				
f.o.	fp. width 60 Minimum length	fp. width 65 Minimum length	fp. width 70 Minimum length	fp. width 75 Minimum length
1	127	127	127	127
2	188	190	197	202
3	249	253	267	277
4	310	316	337	352
5	371	379	407	427
6	432	442	477	502
7	493	505	547	577
8	554	568		



In situations where support posts are used, with a different diameter than the support posts for the feed fronts, keep the fronts of all the posts in line.



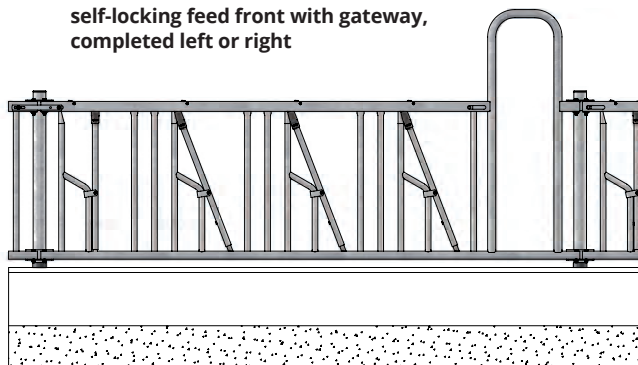
Model	Catalogue page	Feed alley height FH	Top of Bottom rail TB	Cement wall height CW*	Wall thickness WT	Distance wal to post WP
24.72	2.2	10+-15+	60+-65+	50+	22	10
24.70	2.2A	10+-15+	60+-65+	50+	22	10
24.73 heifers	2.3	10+-15+	54+-59+	44+	22	10
24.73 Jersey's	2.3	10+-15+	34+-39+	24+	22	10
24.66	2.5	10+-15+	60+-65+	50+	22	10
24.61	2.7	10+-15+	63+-68+	53+	20	8
24.62/63	2.8	10+-15+	58+-63+	48+	20	8
24.64	2.8	10+-15+	48+-53+	38+	20	8
24.64	2.8	10+-15+	43+-48+	30+	20	8
24.65	2.9	10+-15+	43+-48+	30+	20	8
22.11	2.14	10+-15+	60+-65+	50+	20	8
22.13	2.14	10+-15+	50+-55+	40+	20	8
22.13	2.14	10+-15+	45+-50+	35+	20	8
02.32/33	2.11	10+-15+	60+-65+	50+	28	16
02.30	2.11	10+-15+	60+-65+	50+	29	17
02.59	5.5	10+-15+	55+	45+	28	16
22.21	2.13	10+-15+	63+-68+	53+	20	8
22.22	2.13	10+-15+	58+-63+	48+	20	8
22.24	2.13	10+-15+	48+-53+	38+	20	8
22.25	2.13	15+	40+-45+	30+	20	8

* Pay attention to the opening for the feed front lock!

Procedure to define a feed front (a special version) at places where a standard feed front does not fit.

- yes or no a gateway integrated in the feed front?
- If yes, specify when ordering the position left or right.
- Is the feeding place width determinative, you will find the number of head openings in the table for the required feed front length.
(Example: 24.61 without gateway, fpw is 70 cm, required feed front length = 340 cm → table at the left side → a feed front with 5 head openings).
- Is the starting point a maximal number of head openings, you will find in de table the number of head openings for the required feed front length.
(Example 1: 24.61 with gateway, required feed front length = 340 cm → table at the right side → feed front with 4 head openings, feeding place width 75 cm).
(Example 2: 24.64, required feed front length = 340 cm → table at the left side → a feed front with 7 head openings).

self-locking feed front with gateway, completed left or right



without gateway

24.61 self locking feed front			
f.o.	fp. width 65 Minimum length	fp. width 70 Minimum length	fp. width 75 Minimum length
1	56	56	56
2	120	124	131
3	184	192	206
4	248	260	281
5	312	328	356
6	376	396	431
7	440	464	506
8	504	532	581
9	568		

24.62 / 24.63 self locking fp. width 55	
f.o.	Minimum length
1	64
2	115,5
3	167
4	218,5
5	270
6	321,5
7	373
8	424,5
9	476
10	527,5

with gateway

24.61 self locking feed front			
f.o.	fp. width 65 Minimum length	fp. width 70 Minimum length	fp. width 75 Minimum length
1	110	110	110
2	174	178	185
3	238	246	260
4	302	314	335
5	366	382	410
6	430	450	485
7	494	518	560
8	558		

24.62 / 24.63 self locking fp. width 55	
f.o.	Minimum length
1	118
2	170
3	221
4	273
5	324
6	376
7	427
8	479
9	530

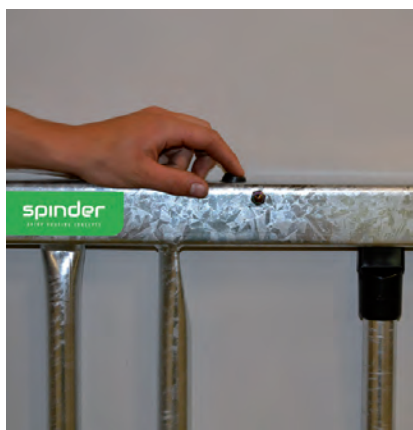
24.64 self locking fp. width 45	
f.o.	Minimum length
1	57
2	100
3	143
4	186
5	229
6	272
7	315
8	358
9	401
10	444
11	487
12	530

24.65 self locking fp. width 35	
f.o.	Minimum length
1	51
2	85
3	119
4	153
5	187
6	221
7	255
8	289
9	323
10	357
11	391
12	425
13	459
14	493

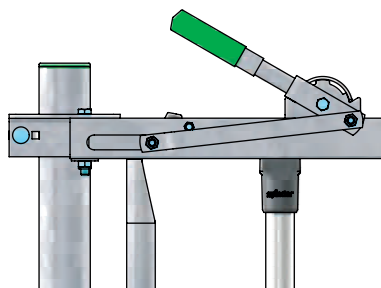




- Self-locking feed front for large stock.



- Individually unlocking via pushbutton control.



- A self-locking feed front with a length of up to 30 m can be operated with one handle.

Baseline self-locking feed fronts

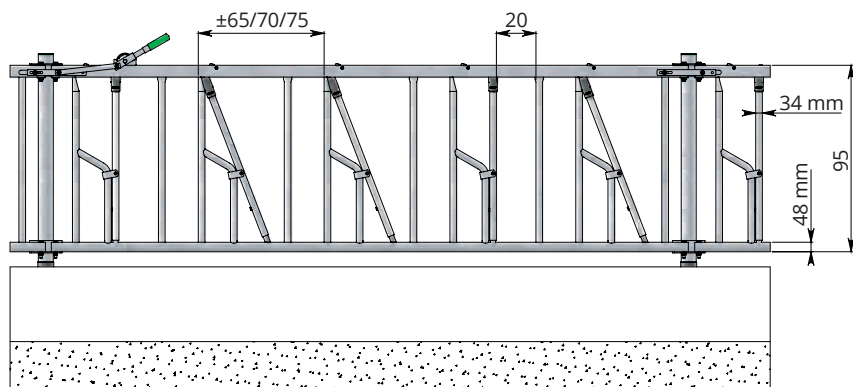
Simple but strong, these are the Baseline self-locking feed fronts. Fitted with the closed upper section with hidden locking mechanism, as is a characteristic feature of Spinder. Only the push button for releasing the locked-in cow sticks out from the top of the profile. No parts where collars can be caught!

Available for large stock as well as for heifers, young stock and calves. Various feed place widths and matching heights. This allows the animals to get used to the feed front from an early age. Fitted with the Spinder plastic movable bar stopper; nice and quiet, and with a drop pin in the catching bar to prevent catching of the collars.

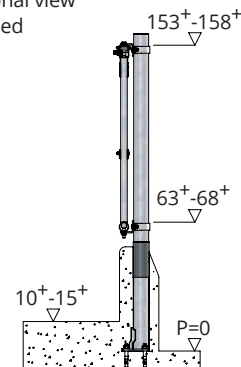
Important features:

- The central operating handle allows you to open or close up to 30 m feed front in one move.
- The central operating handle can be used to set the entire feed fence in the locking position;
- Great catching performance thanks to the light-acting locking mechanism;
- The animals are unable to release themselves since the locking mechanism is entirely hidden in the upper section;
- When closed, it will be possible to release the individual animals with a simple push of a button;
- The central operating handle can be used to release all animals in one move;
- Using the optional Indivast locking mechanism, the animals can be individually secured in the feed front;
- Ear tag friendly.

Animal type	Cows	Heifers		Young heifers	Calves
age	from 18 months	approx. 9 to 18 months		approx. 3 to 9 months	till approx. 3 months
feeding place width	65, 70, 75 cm	55 cm	55 cm	45 cm	35 cm
neck width	20 cm	18 cm			
adjustable neck width			15 cm	10 cm	8 cm

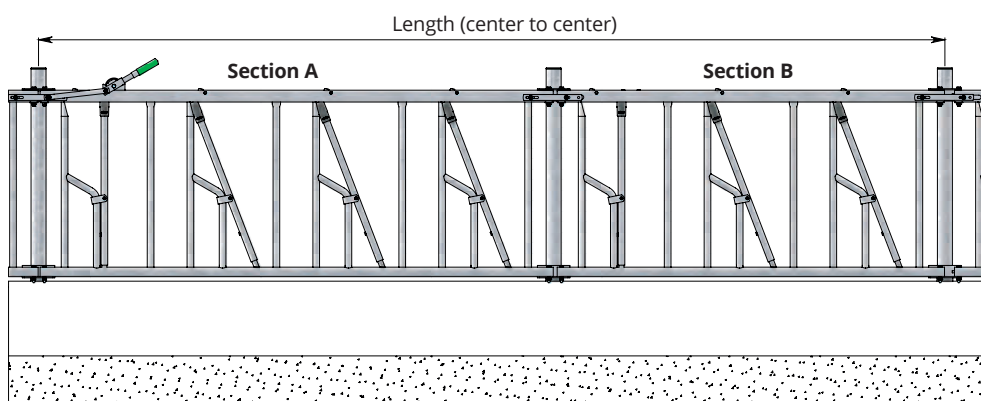


Sectional view installed front



	Length (center to center)	Feeding place width
24.61.500	325 cm (5 feed openings)	approx. 65 cm
24.61.440	300 cm (4 feed openings)	approx. 75 cm
24.61.420	282 cm (4 feed openings)	approx. 70 cm
24.61.400	262 cm (4 feed openings)	approx. 65 cm
24.61.360	248 cm (4 feed openings)	approx. 65 cm
24.61.340	225 cm (3 feed openings)	approx. 75 cm
24.61.320	214 cm (3 feed openings)	approx. 70 cm
24.61.300	198 cm (3 feed openings)	approx. 65 cm
24.61.260	184 cm (3 feed openings)	approx. 65 cm
24.61.240	150 cm (2 feed openings)	approx. 75 cm
24.61.200	134 cm (2 feed openings)	approx. 65 cm

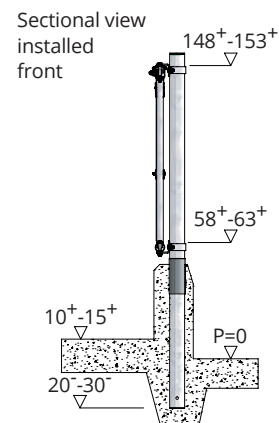
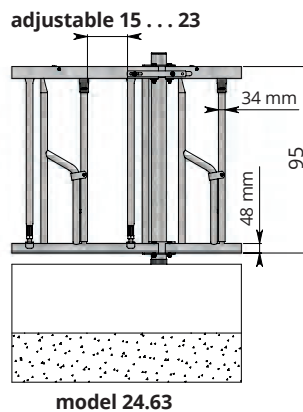
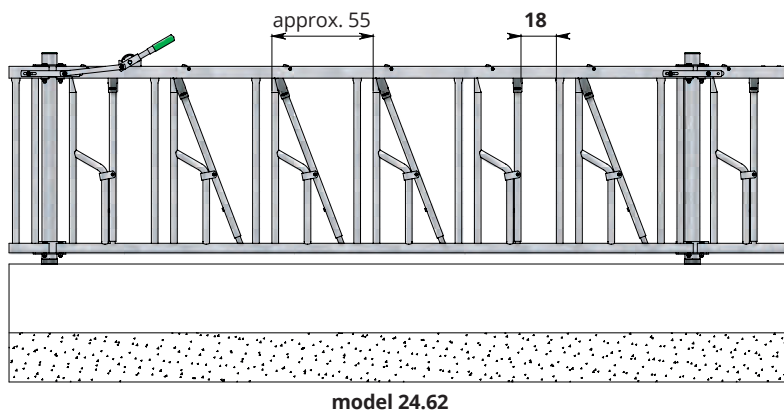
	Fittings
10.25.180	Support post 76 mm x 180 cm
11.02.250	Plastic protective sleeve 76 mm
10.26.160	Floor-mounted support post 76 mm x 160 cm
11.06.250	Stopper 76 mm
02.91.100	Set of feed front fasteners 76 mm
22.92.680	Operating handle
02.90.285	Hinge assembly for gate
02.90.950	Castor wheel (for gates longer than 2 m)



Almost all clearances of over 3.25 meters between posts, can be filled with a combination of the above mentioned standard feed fronts. The following table shows solutions for some frequent situations. The combination of a standard feed front and the correct feed front fastener leads almost always to a solution for clearances up to 3.25 mtr.

Length (center to center)	Section A	Section B	Feed front fasteners
600 cm (9 feed openings)	(325 cm) 24.61.500	(262 cm) 24.61.400	02.91.200 (5-10 cm) *
500 cm (8 feed openings)	(248 cm) 24.61.360	(248 cm) 24.61.360	02.91.100 (0 - 5 cm)
500 cm (7 feed openings)	(282 cm) 24.61.420	(214 cm) 24.61.320	02.91.100 (0 - 5 cm)
475 cm (7 feed openings)	(262 cm) 24.61.400	(198 cm) 24.61.300	02.91.200 (5-10 cm) *
450 cm (7 feed openings)	(248 cm) 24.61.360	(198 cm) 24.61.300	02.91.100 (0 - 5 cm)
450 cm (6 feed openings)	(225 cm) 24.61.340	(225 cm) 24.61.340	02.91.100 (0 - 5 cm)
440 cm (7 feed openings)	(248 cm) 24.61.360	(184 cm) 24.61.260	02.91.100 (0 - 5 cm)

* For feed front fasteners of 5-10 cm and 10-20 cm, longer connecting strips need to be ordered.



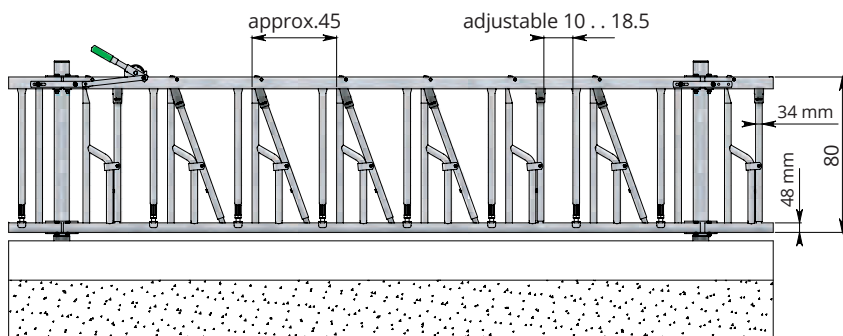
The feeding place width is 55 cm; ages from approx. 9 to 18 months.
For heifers from 18 months we recommend the self-locking feed front for cows.

		Length (center to center)
24.62.500	24.63.500	325 cm (6 feed openings)
24.62.400	24.63.400	274 cm (5 feed openings)
24.62.300	24.63.300	219 cm (4 feed openings)
24.62.200	24.63.200	171 cm (3 feed openings)
24.62.100	24.63.100	119 cm (2 feed openings)

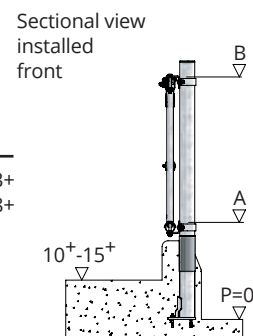
Length (center to center)	Feed front fasteners
450 cm (8 feed openings)	24.62.300 + 24.62.300 02.91.200 (5-10 cm) *
440 cm (8 feed openings)	24.62.300 + 24.62.300 02.91.100 (0 - 5 cm)

	Fittings
10.25.180	Support post 76 mm x 180 cm
11.02.250	Plastic protective sleeve 76 mm
10.26.160	Floor-mounted support post 76 mm x 160 cm
11.06.250	Stopper 76 mm
02.91.100	Set of feed front fasteners 76 mm
22.92.680	Operating handle
02.90.285	Hinge assembly for gate
02.90.950	Castor wheel (for gates longer than 2 m)

* For feed front fasteners of 5-10 cm and 10-20 cm, longer connecting strips need to be ordered.



Age	Size A	Size B
up to 6 months	43+-48+	118+-123+
6-10 months	48+-53+	123+-128+



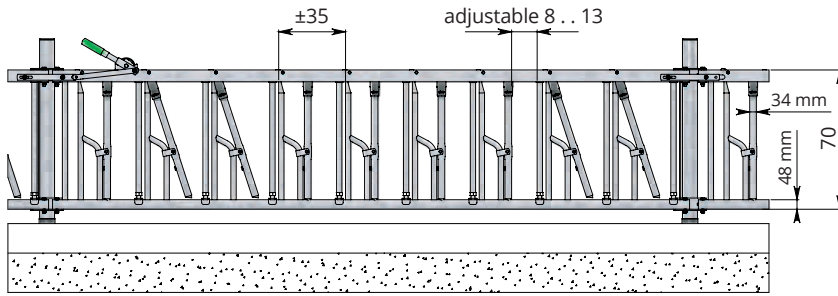
The feeding place width is 45 cm per animal; ages from approx. 3 to 9 months. Neck width adjustable from 10 to 18.5 cm.

		Length (center to center)
24.64.500		325 cm (7 feed openings)
24.64.400		282 cm (6 feed openings)
24.64.360		239 cm (5 feed openings)
24.64.300		196 cm (4 feed openings)
24.64.260		153 cm (3 feed openings)
24.64.200		110 cm (2 feed openings)

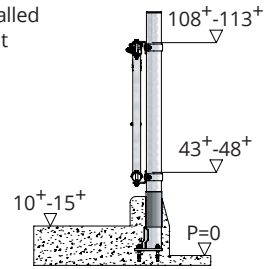
Length (center to center)	Feed front fasteners
450 cm (9 feed openings)	24.64.360 + 24.64.300 02.91.200 (5-10 cm) *
440 cm (9 feed openings)	24.64.360 + 24.64.300 02.91.100 (0 - 5 cm)

	Fittings
10.25.160	Support post 76 mm x 160 cm
11.02.250	Plastic protective sleeve 76 mm
10.26.130	Floor-mounted support post 76 mm x 130 cm
11.06.250	Stopper 76 mm
02.91.100	Set of feed front fasteners 76 mm
22.92.680	Operating handle
02.90.285	Hinge assembly for gate
02.90.950	Castor wheel (for gates longer than 2 m)

* For feed front fasteners of 5-10 cm and 10-20 cm, longer connecting strips need to be ordered.



Sectional view installed front



The feeding place width is 35 cm per calf; aged up to approx. 3 months. Neck width adjustable from 8 to 13 cm.

	Length (center to center)	
24.65.500	325 cm	(9 feed openings)
24.65.400	289 cm	(8 feed openings)
24.65.360	256 cm	(7 feed openings)
24.65.300	222 cm	(6 feed openings)
24.65.200	188 cm	(5 feed openings)
24.65.100	120 cm	(3 feed openings)

	Fittings
10.25.160	Support post 76 mm x 160 cm
11.02.250	Plastic protective sleeve 76 mm
10.26.120	Floor-mounted support post 76 mm x 120 cm
11.06.250	Stopper 76 mm
02.91.100	Set of feed front fasteners 76 mm
22.92.680	Operating handle
02.90.285	Hinge assembly for gate
02.90.950	Castor wheel (for gates longer than 2 m)



- Openline safety feed front Rubos.



- Openline Swedish feed front

Openline self-locking feed fronts

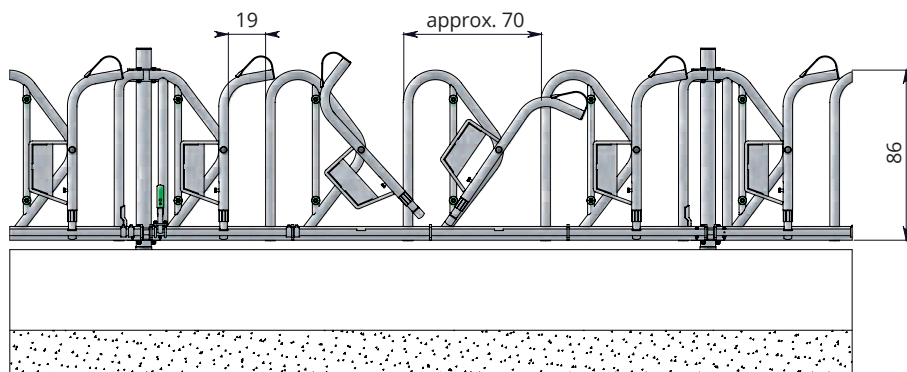
As the word 'Openline' suggests, these are feed fronts with an open top; the head goes in from the top. These are the Swedish feed fronts that have been known for many years. Ideal for animals with horns.

All Openline feed fronts are self-locking with central controls and have an enlarged movable bar to prevent collars from being caught.

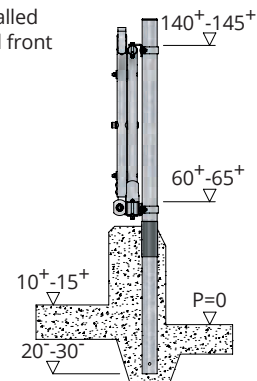
Based on the demand for a more robust and larger version, Spinder developed this type of fence into the heavy Rubos version; with built-in safety function and silencer. The feed opening width is 70 cm to suit large cows.

The operating modes of the feed front:

- Opened position; the animals can freely move their heads in and out of the feed front;
- From a central point, setting the feed front on self-locking to make the animals lock up themselves as soon as they start feeding;
- Centrally releasing all positions;
- Individually releasing an animal by sliding up a drop pin into the movable bar;
- For Rubos only: individually releasing an animal from the safety opening (bottom opening) by sliding up a drop pin into the movable bar.



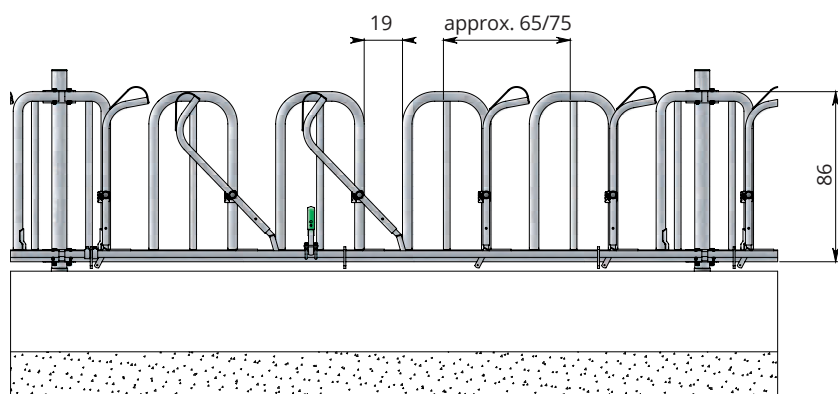
Sectional view installed feed front



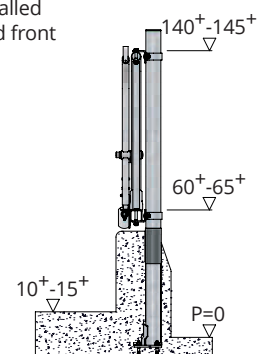
	Length (center to center)	Feeding place width
02.30.500	355 cm* (5 feed openings)	approx. 70 cm
02.30.400	285 cm (4 feed openings)	approx. 70 cm
02.30.300	215 cm° (3 feed openings)	approx. 70 cm
02.30.200	145 cm° (2 feed openings)	approx. 70 cm

* An extra support post needs to be placed per element.
 Assembly drawing on application.
 ° Can be used as a gate.

	Fittings
10.25.180	Support post 76 mm x 180 cm
11.02.250	Plastic protective sleeve 76 mm
10.26.160	Floor-mounted support post 76 mm x 160 cm
11.06.250	Stopper 76 mm
02.91.100	Set of feed front fasteners 76 mm
02.92.100	Operating handle
02.90.305	Hinge assembly for gate



Sectional view installed feed front



Age approx. 22 months and up. Neck width 19 cm.

	Length (center to center)	Feeding place width
02.32.500	325 cm (5 feed openings)	approx. 65 cm
02.32.400	261 cm (4 feed openings)	approx. 65 cm
02.32.360	250 cm (4 feed openings)	approx. 65 cm
02.32.300	196 cm (3 feed openings)	approx. 65 cm
02.32.260	180 cm (3 feed openings)	approx. 65 cm

	Fittings
10.25.180	Support post 76 mm x 180 cm
11.02.250	Plastic protective sleeve 76 mm
10.26.160	Floor-mounted support post 76 mm x 160 cm
11.06.250	Stopper 76 mm
02.91.100	Set of feed front fasteners 76 mm
02.92.100	Operating handle
02.90.380	Hinge assembly for gate
02.90.950	Castor wheel (for gates longer than 2 m)

	Length (center to center)	Feeding place width
02.33.400	300 cm (4 feed openings)	approx. 75 cm
02.33.320	250 cm (3 feed openings)	approx. 75 cm
02.33.300	225 cm (3 feed openings)	approx. 75 cm
02.33.200	150 cm (2 feed openings)	approx. 75 cm



Tombstone feed front

Spinder has expended its program with a new feed front. This tombstone feed front replaces the well-known diagonal model and is available for all age groups, from calves to mature cows. The design of the Spinder tombstone feed front has several advantages above the diagonal feed front or a simple tubing feed front. Here calves can learn, on a very early age, how to deal with a (self-locking) feed front; to lift up their heads to move through the feed front to eat. While eating this feed front provides for a wide enough feeding place; each age category has the right feeding width. This prevents pushing and shoving, so the animals can eat in peace.

Major characteristics:

- Large head opening, also appropriate for horned cattle;
- Available for two week old calves to mature cows;
- Less pushing and shoving, the animals can eat in peace;
- Neck collar friendly;
- Less waste of feed; animals do not retract to chew;
- Cost-effective feed front;
- No pressure points on neck as with a tubing feed front;

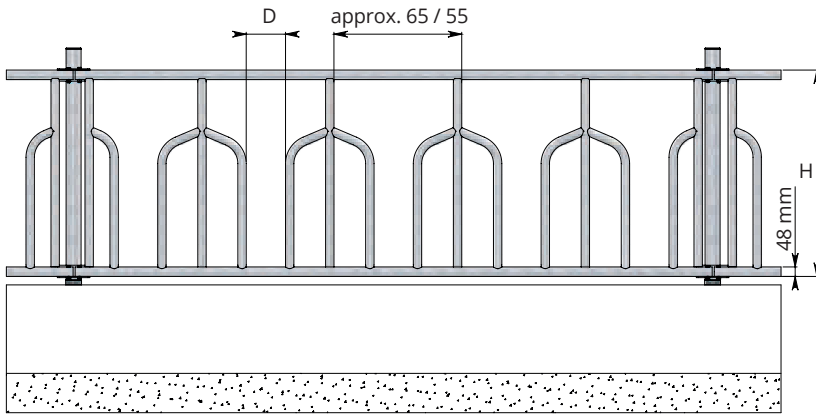
Dimensions

The tombstone feed front is available for all age groups, from two week old calves to mature cows. The standard length of one section is 325 cm. Several smaller sections are available to match, size depending on number and width of the feeding places.

Mounting

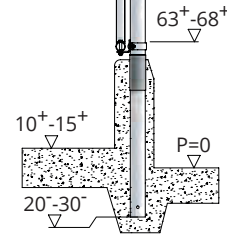
The tombstone feed front is mounted to 76 mm support posts with our universal fasteners. This way it is possible to extend a feed front section by 5 cm. If this proves insufficient, longer feed front fasteners are available.

By installing a so called hinge assembly every section can be turned into a gate.



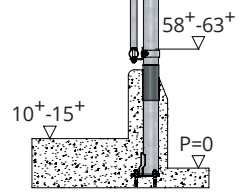
Sectional view installed feed front

Cows from 18 months



Sectional view installed feed front

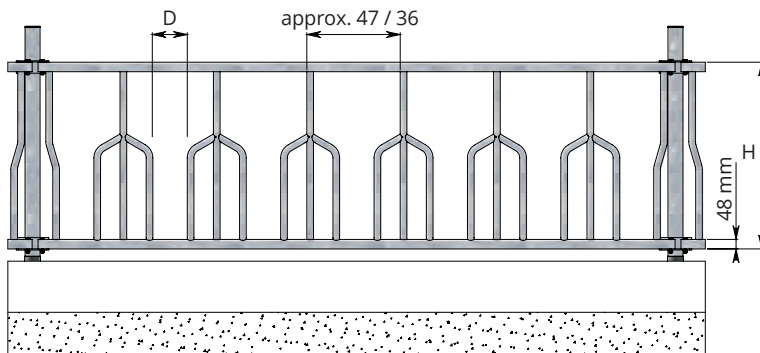
Young stock 10-18 months



Tombstone feed front for cows and young stock.

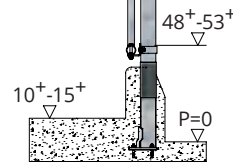
Cows, D=20 cm, H=105 cm, Length (center to center)	
22.21.500	325 cm (5 feed openings)
22.21.400	262 cm (4 feed openings)
22.21.300	198 cm (3 feed openings)
22.21.200	134 cm (2 feed openings)
Young stock, D=20 cm, H=95 cm, Length (center to center)	
22.22.500	325 cm (6 feed openings)
22.22.400	274 cm (5 feed openings)
22.22.300	219 cm (4 feed openings)
22.22.200	171 cm (3 feed openings)

Fittings	
10.25.200	Support post 76 mm x 200 cm (22.21)
10.25.180	Support post 76 mm x 180 cm (22.22)
11.02.250	Plastic protective sleeve 76 mm
10.26.180	Floor-mounted support post 76 mm x 180 cm
10.26.160	Floor-mounted support post 76 mm x 160 cm
11.06.250	Stopper 76 mm
02.91.100	Set of feed front fasteners 76 mm
02.90.105	Hinge assembly for gate
02.90.960	Castor wheel (for gates longer than 2 m)



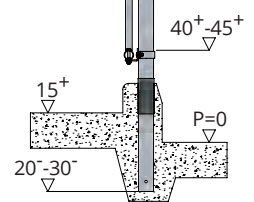
Sectional view installed feed front

Young stock 6-10 months



Sectional view installed feed front

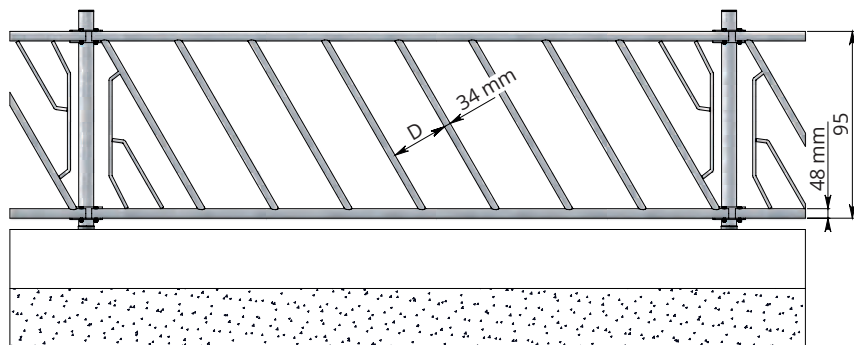
Calves 0-6 months



Tombstone feed front for young heifers and calves.

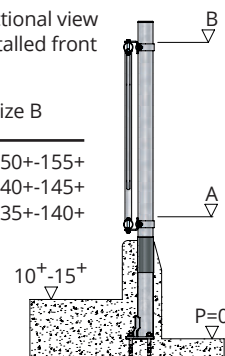
Young stock, D=17,5 cm, H=95 cm, Length (center to center)	
22.24.500	325 cm (7 feed openings)
22.24.400	282 cm (6 feed openings)
22.24.360	239 cm (5 feed openings)
22.24.300	196 cm (4 feed openings)
Calves, D=14 cm, H=79 cm, Length (center to center)	
22.25.500	325 cm (9 feed openings)
22.25.400	289 cm (8 feed openings)
22.25.360	253 cm (7 feed openings)
22.25.300	216 cm (6 feed openings)
22.25.200	180 cm (5 feed openings)

Fittings	
10.25.180	Support post 76 mm x 180 cm (22.24)
10.25.160	Support post 76 mm x 160 cm (22.25)
11.02.250	Plastic protective sleeve 76 mm
10.26.160	Floor-mounted support post 76 mm x 160 cm
10.26.130	Floor-mounted support post 76 mm x 130 cm
11.06.250	Stopper 76 mm
02.91.100	Set of feed front fasteners 76 mm
02.90.020	Hanger to 48 mm
02.90.950	Castor wheel (for gates longer than 2 m)
03.90.400	Locking pin 100 cm



Sectional view installed front

Age	Size A	Size B
Cows	60+-65+	150+-155+
Young stock (10-15 months)	50+-55+	140+-145+
Young stock (3-10 months)	45+-50+	135+-140+



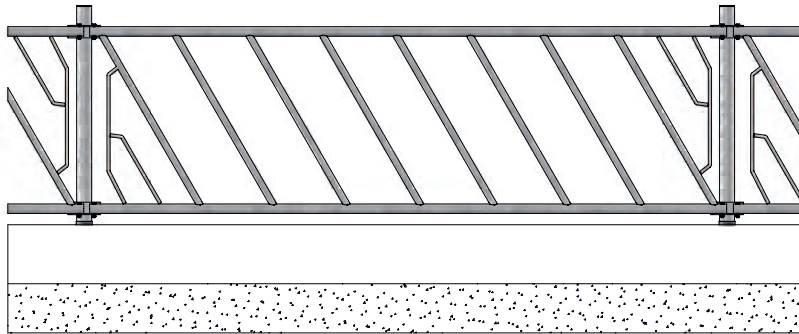
Diagonal feed front for cows and young stock

Cows, D=29 cm, H=95 cm, Length (center to center)	
22.11.500	325 cm (7 feed openings)
22.11.400	295 cm (6 feed openings)
22.11.300	212 cm (4 feed openings)
22.11.200	145 cm (2 feed openings)
Young stock 3-15 months, D=24 cm, H=95 cm, Length (c.t.c.)	
22.13.500	325 cm (8 feed openings)
22.13.400	290 cm (7 feed openings)
22.13.300	220 cm (5 feed openings)
22.13.200	160 cm (3 feed openings)

Fittings	
10.25.180	Support post 76 mm x 180 cm
11.02.250	Plastic protective sleeve 76 mm
10.26.160	Floor-mounted support post 76 mm x 160 cm
11.06.250	Stopper 76 mm
02.91.100	Set of feed front fasteners 76 mm
02.90.180	Hinge assembly for gate
02.90.950	Castor wheel (for gates longer than 2 m)

Procedure to define a feed front (a special version) at places where a standard feed front does not fit.

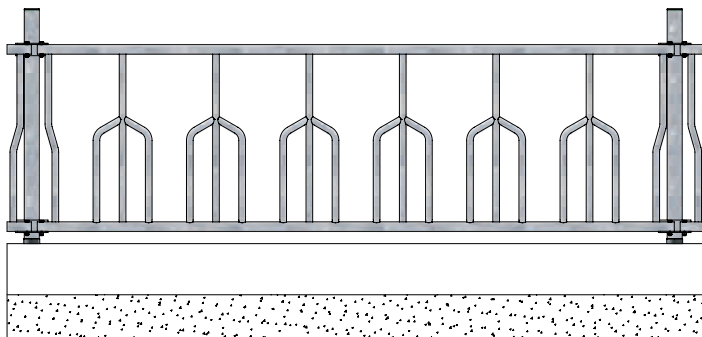
- Is the starting point a maximal number of head openings, you will find in de table the number of head openings for the required feed front length.
(Example 1: diagonal feed front model 22.13, required feed front length = 340 cm → table at the top side → feed front with 9 head openings).
(Example 2: tombstone feed front model 22.22, required feed front length = 340 cm → table at the bottom side → feed front with 6 head openings).



22.11 diagonal D29 - cows	
f.o.	Minimum length
1	82,3
2	119,7
3	157,1
4	194,5
5	231,9
6	269,3
7	306,7
8	344,1
9	381,5
10	418,9
11	456,3
12	493,7
13	531,1

22.13 diagonal D24 - young stock	
f.o.	Minimum length
1	76,5
2	108,1
3	139,7
4	171,3
5	202,9
6	234,5
7	266,1
8	297,7
9	329,3
10	360,9
11	392,5
12	424,1
13	455,7
14	487,3
15	518,9

22.15 diagonal D20 - calves	
f.o.	Minimum length
1	80,2
2	107,2
3	134,2
4	161,2
5	188,2
6	215,2
7	242,2
8	269,2
9	296,2
10	323,2
11	350,2
12	377,2
13	404,2
14	431,2
15	458,2
16	485,2
17	512,2

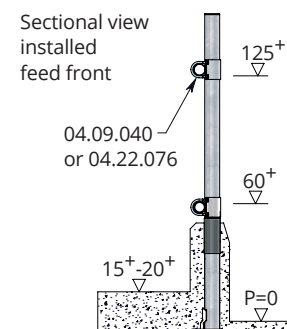
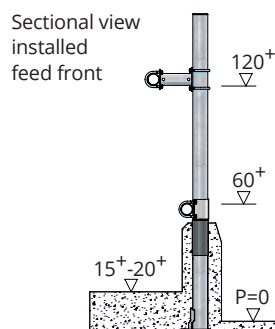
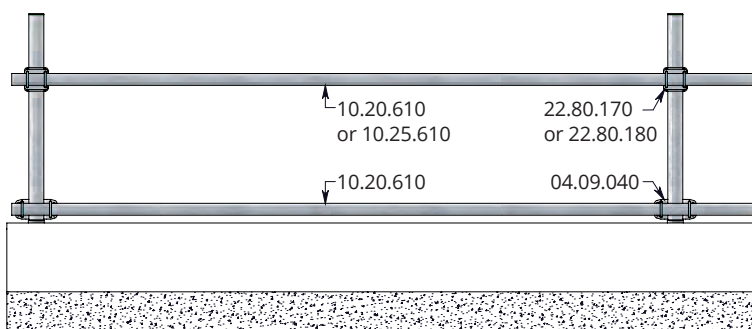
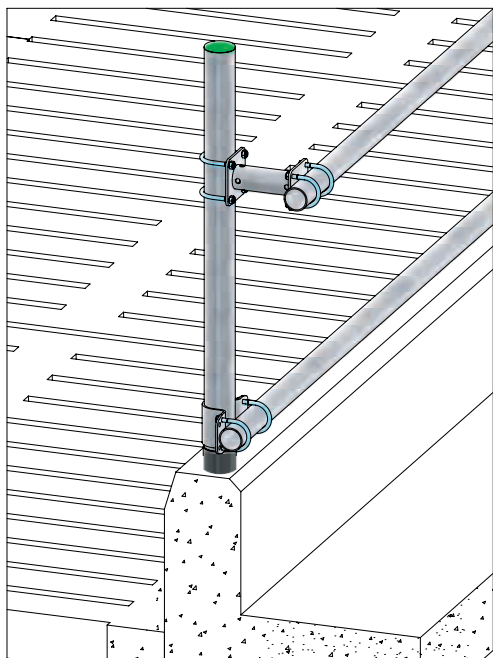


22.21 tombstone cows	
f.o.	Minimum length
1	62,4
2	127,4
3	192,4
4	257,4
5	322,4
6	387,4
7	452,4
8	517,4

22.22 tombstone heifers	
f.o.	Minimum length
1	42,2
2	97,2
3	152,2
4	207,2
5	262,2
6	317,2
7	372,2
8	427,2
9	482,2
10	537,2

22.24 tombstone young heifers	
f.o.	Minimum length
1	39,7
2	87,2
3	134,7
4	182,2
5	229,7
6	277,2
7	324,7
8	372,2
9	419,7
10	467,2
11	514,7

22.25 tombstone calves	
f.o.	Minimum length
1	33,8
2	70,1
3	106,4
4	142,7
5	179
6	215,3
7	251,6
8	287,9
9	324,2
10	360,5
11	396,8
12	433,1
13	469,4
14	505,7



Fixed tubing

Depending on the situation, the tubing may be mounted in front or in between the support posts. The top tubing can also be mounted out forward by using a spacing component.

When mounting the tubing between the support posts, the tubing has to be shortened. In this event four-way clamps and T-clamps are used.

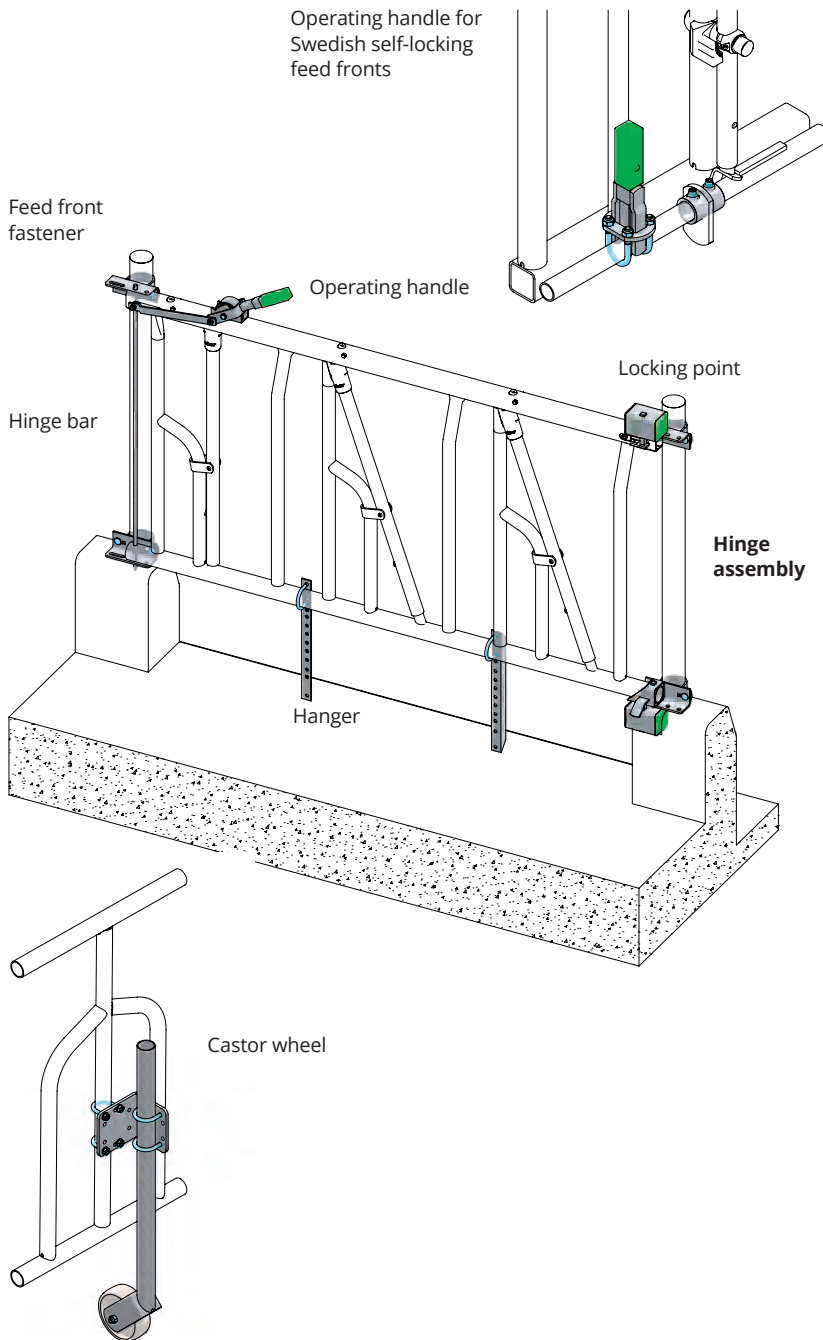
Note: The heights shown above are just an indication. Adjusting may be needed according to breed, age, alley height or animal grouping.

Top tubing with spacing component:

- 22.80.170** Spacing component 60mm, 17cm, to support post 76mm
- 22.80.180** Spacing component 76mm, 17cm, to support post 76mm

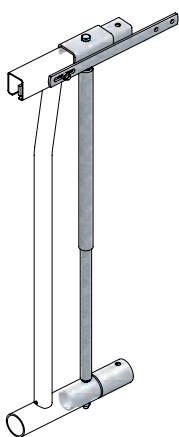
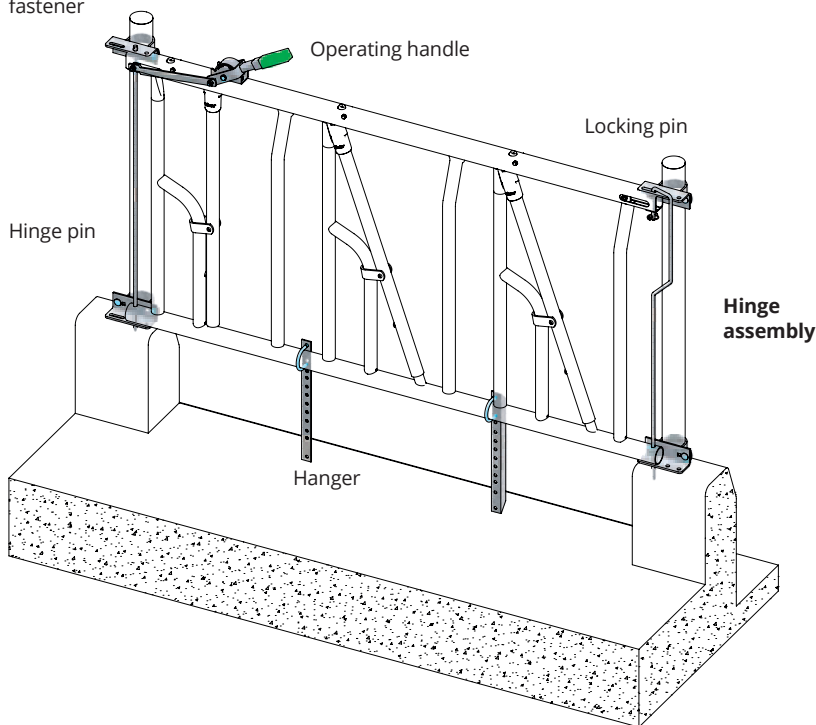
Mounting in front of the support posts:

- 10.20.610** Tube 60 mm x 600 cm galvanized, 1 side reduced
- 11.06.200** Stopper 60 mm
- 04.09.040** Strap clamp 76 x 60 mm
- 10.25.610** Tube 76 mm x 600 cm galvanized, 1 side reduced
- 11.06.250** Stopper 76 mm
- 04.22.076** Tube clamp 76 x 76mm
- 10.25.180** Support post 76 mm x 180 cm
- 10.26.160** Floor-mounted support post 76 mm x 160 cm
- 11.06.250** Stopper 76 mm
- 11.02.250** Plastic protective sleeve 76 mm

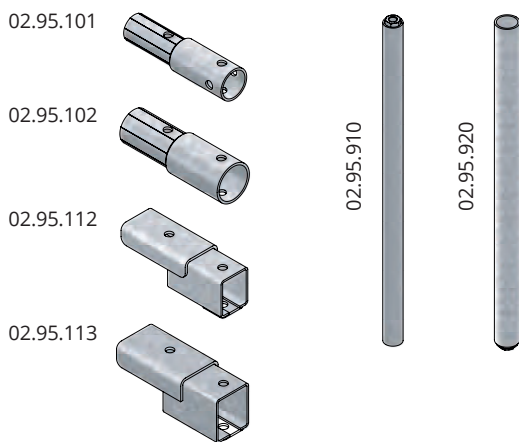


<p>02.92.100 22.92.680 22.92.500</p>	<p>Operating handle For central locking of self-locking feed front.</p> <p>Type of self-locking feed front Swedish Hidden locking types A feed front with a maximum length of 30 m can be operated with one handle.</p> <p>Safety feed front A feed front with a maximum length of 20 m can be operated with one handle.</p>
<p>02.90.180 02.90.190 02.90.285 02.90.585 02.90.380 02.90.880 02.91.100 02.90.010 02.90.015 02.90.020 02.90.030 02.90.035 02.90.050</p>	<p>Hinge assembly A hinge assembly consists of a set of feed front fasteners 0-5/76 mm, a hinge bar, 2 hangers and a set of locking points. When ordering a hinge assembly for self-locking or safety feed fronts an operating handle is included.</p> <p>Type of feed front Diagonal Tombstone Self-locking with hidden locking Limo self-locking Swedish self-locking Safety feed front</p> <p>Hinge assembly, separate components Set of feed front fasteners 0-5/76 mm Hinge pin 100 cm Hinge pin 125 cm Hanger to 48 mm Hanger to 60 mm Hanger to 60 mm Set of locking points</p>
<p>02.90.950 02.90.960 02.90.950 02.90.950 02.90.960 02.90.975 02.90.950</p>	<p>Castor wheel Usually mounted onto gates longer than 2 m, fastening plate and threaded strap included.</p> <p>Type of feed front Diagonal Tombstone (22.21 and 22.22) Tombstone (22.24 and 22.25) Self-locking with hidden locking (24.61 - 24.65) Limo self-locking (24.66) Safety feed front Swedish self-locking</p>

Feed front fastener



Feed front extension



Hinge assembly with locking pin

for feed front models

- 02.90.100 Diagonal
- 02.90.100 Tombstone for heifers
- 02.90.105 Tombstone for cows
- 02.90.205 Self-locking with hidden locking
- 02.90.300 Swedish self-locking
- 02.90.505 Self-locking with hidden locking model 24.66
- 02.90.800 Safety feed front 2011 (24.70, 24.72 and 24.73)
- 02.90.305 Swedish safety feed front Rubos

Hinge set, separate components

- 02.91.100 Set of feed front fasteners 0-5/76 mm
- 02.90.010 Hinge pin 100 cm
- 02.90.015 Hinge pin 125 cm
- 02.90.020 Hanger to 48 mm
- 02.90.030 Hanger to 60
- 02.90.035 Hanger to 60 mm
- 03.90.400 Locking pin 100 cm
- 03.90.410 Locking pin 125 cm

Feed front extension

Each feed front section can be extended by 10 cm. Connecting strips or coupling rails are included.

Extension 10 cm for feed front models

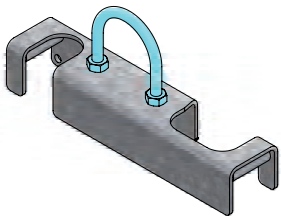
- 02.95.105 Diagonal
- 02.95.125 Self-locking with hidden locking
- 02.95.155 Self-locking with hidden locking model 24.66
- 02.95.165 Safety feed front

Loose parts

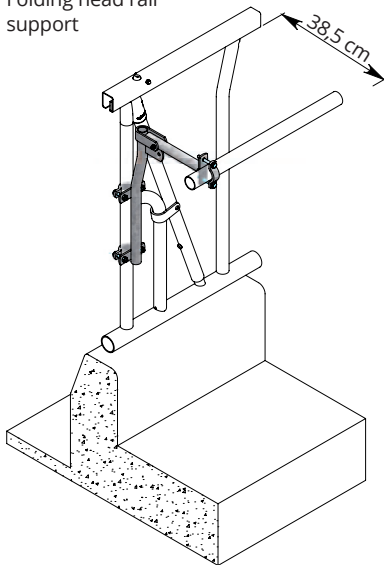
- 02.95.101 Extension 10 cm - 48 mm
- 02.95.102 Extension 10 cm - 60 mm
- 02.95.112 Extension 10 cm - upper profile selflocking feed front (C-profile 60 x 50 mm)
- 02.95.113 Extension 10 cm - upper profile safety feed front (C-profile 70 x 60 mm)
- 02.95.910 Inner tube 27 mm (internal screw thread M12)
- 02.95.920 Outer tube 34 mm (internal screw thread M12)



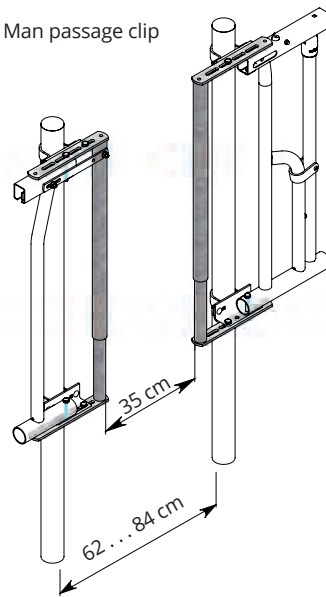
Indivast for self locking feed front



Folding head rail support



Man passage clip



Individual locking 'Indivast'

Indivast allows you to individually secure the cows in the feed front. That simplifies insemination procedures or other treatments. The Indivast has two recesses in the metal that is clamped around the catching bar and the frame. Locking is simply done by placing the Indivast at an angle perpendicular to the lower bar in the feed front and then twisting it a quarter of a turn, after which a little force is used to press it to the bottom of the feed front. It will then rest horizontally on the lower bar.

- 22.92.650** Indivast for self locking feed front 22.61 / 22.62 / 24.61 / 24.62 / 24.63
- 22.92.660** Indivast for self locking feed front 24.66
- 22.92.750** Indivast for safety feed front 22.72 / 23.71

Folding head rail support

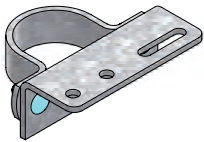
A folding head rail prevents the animals from wasting feed. The head rail does not take space away from the feed alley, because of the folding mechanism. Can be mounted to self-locking and safety feed fronts. A length of tubing of 6 m. requires a minimum of 2 head rail supports.

- 02.94.100** Head rail support, clamps included
- 10.15.600** Tube 48 mm, length 6 m

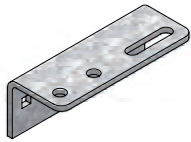
Man passage clip

To create a handy passage in a row of feed front sections. Suitable for all types of feed fronts, for young stock, heifers and cows. Two adjustable passage clips are shown.

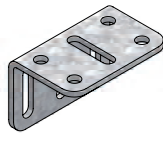
- 02.93.100** Man passage clip



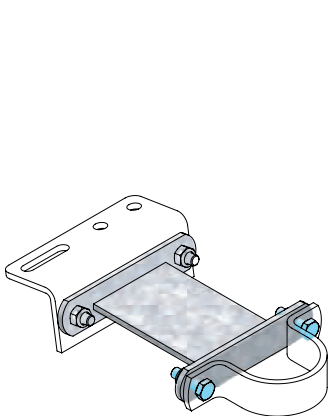
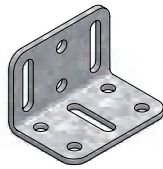
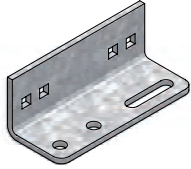
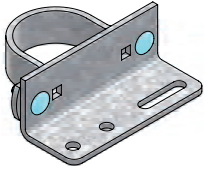
Set of feed front fasteners for mounting to support post



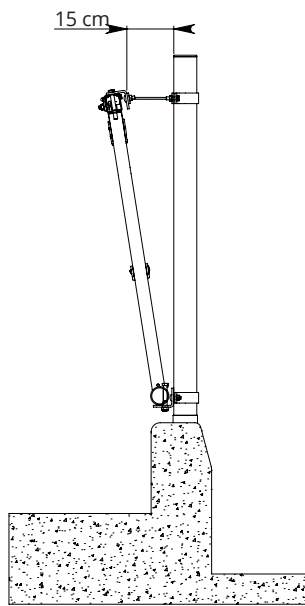
Set of feed front fasteners for mounting to barn posts or wall



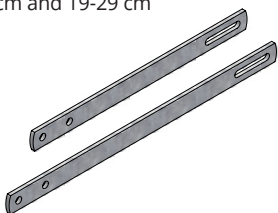
Feed front fasteners for mounting between barn posts



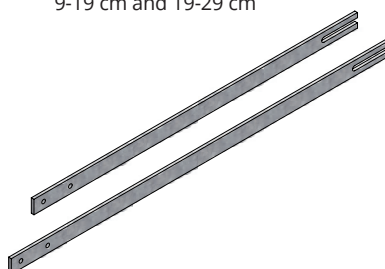
Universel spacer



Connecting strip for self-locking feed front 9-19 cm and 19-29 cm



Connecting strip for safety feed front 9-19 cm and 19-29 cm



Set of feed front fasteners

With our universal fasteners the length of every feed front section can be increased by up to 20 cm.

- 02.91.100
- 02.91.200
- 02.91.300

For support post 76 mm
0 - 5 cm
5 - 10 cm
10 - 20 cm

- 02.91.120
- 02.91.220
- 02.91.320

For support post 89 mm
0 - 5 cm
5 - 10 cm
10 - 20 cm

- 02.91.180
- 02.91.280
- 02.91.380

For support post \varnothing 80 mm
0 - 5 cm
5 - 10 cm
10 - 20 cm

- 02.91.135
- 02.91.235
- 02.91.335

For mounting to barn posts
0 - 5 cm
5 - 10 cm
10 - 20 cm

- 02.91.605
- 02.91.615
- 02.91.625

Complete set of feed front fasteners (4 angle pieces) for mounting 1 feed front between barn posts
0 - 7 cm
5 - 12 cm
10 - 17 cm

Universal spacer

With our universal spacer the feed front can be placed in an inclined position. In this way larger animals do not lean against the upper part of the barrier with their necks when they are eating.

- 02.91.800

Universal spacer 15 cm, with bolts

Connecting strips

Included with our self-locking feed fronts are connecting strips of 0-9 cm. If the spacing between two feed fronts is bigger than 9 cm, longer connecting strips need to be ordered.

- 02.22.030
- 02.22.031
- 02.22.032

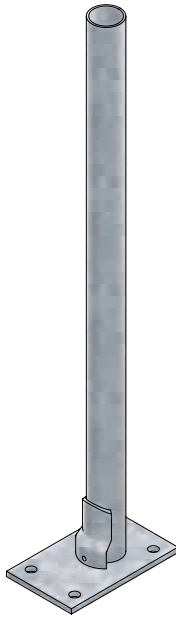
Connecting strip for self-locking feed front
0 - 9 cm (standard at each feed front)
9 - 19 cm
19 - 29 cm

- 24.72.030
- 24.72.031
- 24.72.032

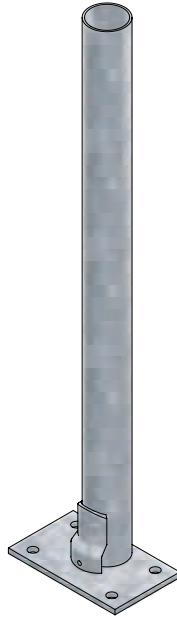
Connecting strip for safety feed front
0 - 9 cm (standard at each feed front)
9 - 19 cm
19 - 29 cm



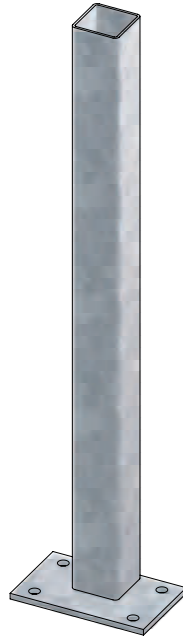
Support post, to be set in concrete



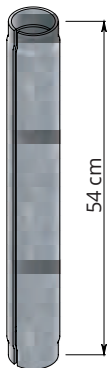
Floor-mounted support post 60 mm



Floor-mounted support post 76 mm and 89 mm



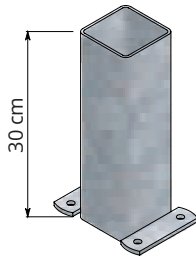
Floor-mounted support post \varnothing 80 mm



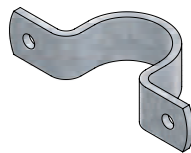
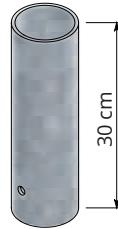
Expansion tube for post repair



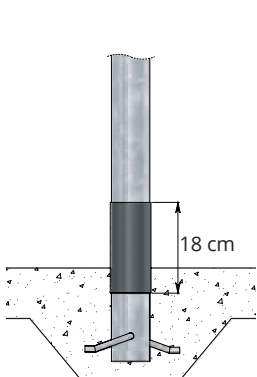
Extension for support post



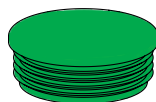
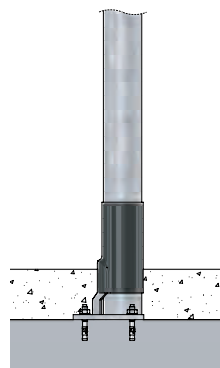
Metal sleeve



Mounting clip

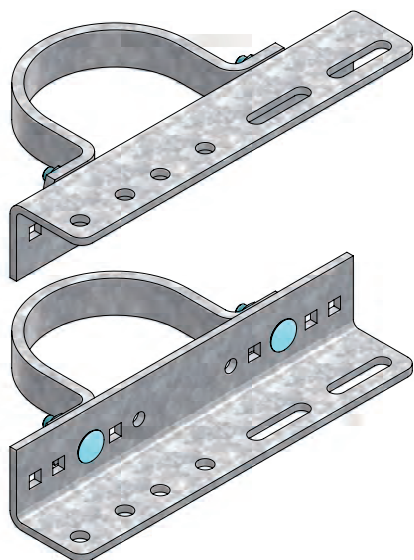


Plastic protective sleeve



Stopper

	Support post, to be set in concrete
	Size
10.25.140	76 mm x 140 cm
10.25.160	76 mm x 160 cm
10.25.180	76 mm x 180 cm
10.25.200	76 mm x 200 cm
10.30.200	89 mm x 200 cm
10.80.180	\varnothing 80 x 180 cm
	Floor-mounted support post
	Size
10.21.120	60 mm x 120 cm
10.21.140	60 mm x 140 cm
10.26.100	76 mm x 100 cm
10.26.120	76 mm x 120 cm
10.26.130	76 mm x 130 cm
10.26.145	76 mm x 145 cm
10.26.160	76 mm x 160 cm
10.26.170	76 mm x 170 cm
10.26.180	76 mm x 180 cm
10.31.160	89 mm x 160 cm
10.31.180	89 mm x 180 cm
10.81.160	\varnothing 80 x 160 cm
10.81.180	\varnothing 80 x 180 cm
	Expansion tube for post repair
10.25.950	Expansion \varnothing 70 mm x 54 cm. For the repair of 76 mm support posts in concrete.
	Extension for support post
10.25.910	Extension \varnothing 76 mm x 30 cm. To be used where existing support posts are not high enough because of renovation.
	Metal sleeve
	Especially for removable support posts.
10.30.030	For support post 76 mm
10.30.090	For support post \varnothing 80 mm
	Mounting clip
	For mounting wooden boards to support posts.
	Size
04.18.010	34 mm
04.18.015	48 mm
04.18.020	60 mm
04.18.025	76 mm
04.18.030	89 mm
04.18.050	102 mm
04.18.055	108 mm
04.18.040	114 mm
04.18.060	\varnothing 60 x 60 mm
04.18.080	\varnothing 80 x 80 mm
04.18.110	\varnothing 80 x 120 mm
	Plastic protective sleeve
	Length 18 cm
11.02.200	60 mm
11.02.250	76 mm
11.02.300	89 mm
11.02.800	\varnothing 80 mm
11.02.260	Plastic protective sleeve for floor-mounted support post 76 mm
	Stopper
	Size
11.06.200	60 mm
11.06.250	76 mm
11.06.300	89 mm
11.06.800	\varnothing 80 mm



- Set of feed front fasteners 0 - 20 cm for mounting feed fronts to large barn posts, along forside.



- Barn with central feeding alley. Barn posts Ø160mm on both sides of the feeding alley.



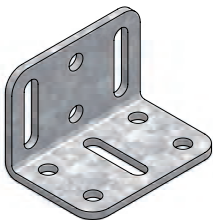
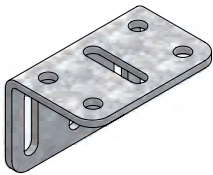
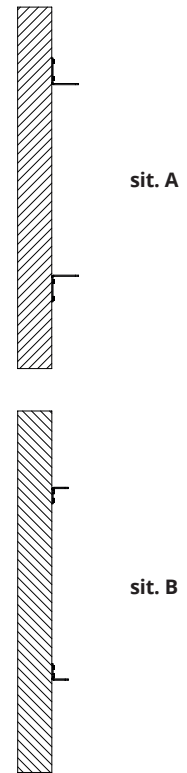
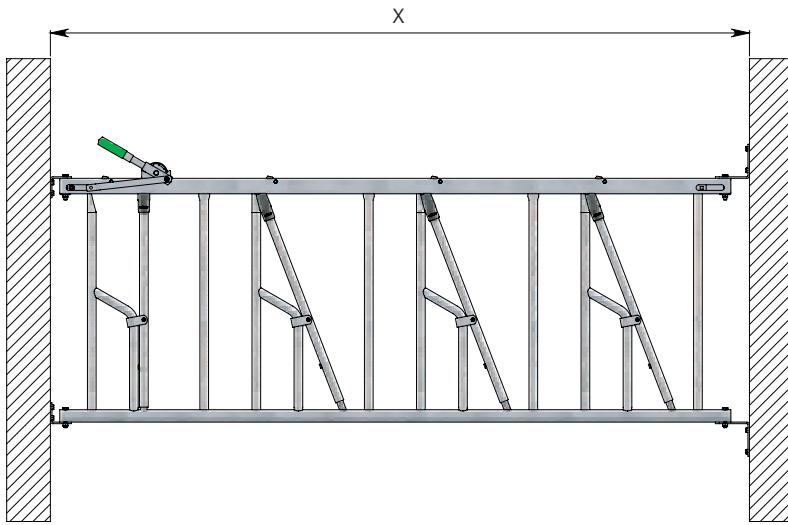
- Detail: opening for the barn post Ø 160mm at side of slatted floor prevents a too wide parapet under the feed front.

Mounting feed fronts to barn post

Higher stables, larger spans and larger center to center barn supports call for heavier (thicker) support posts. If these barn supports are standing on the side of the feed fronts, Spinder can deliver feed front fasteners for assembly of the feed front at the front of the barn support. With the thicker support posts is standard used the feed front fastener 0 - 20 cm. If the interspace between two feed fronts is more than 9 cm, longer connectings strips need to be ordered.

For the dimensions of the parapet under the feed front, see page 22A. Circa 10 cm cement cover at the front of support post (size WP) and a maximum thickness of the parapet of circa 20 cm (size WT).

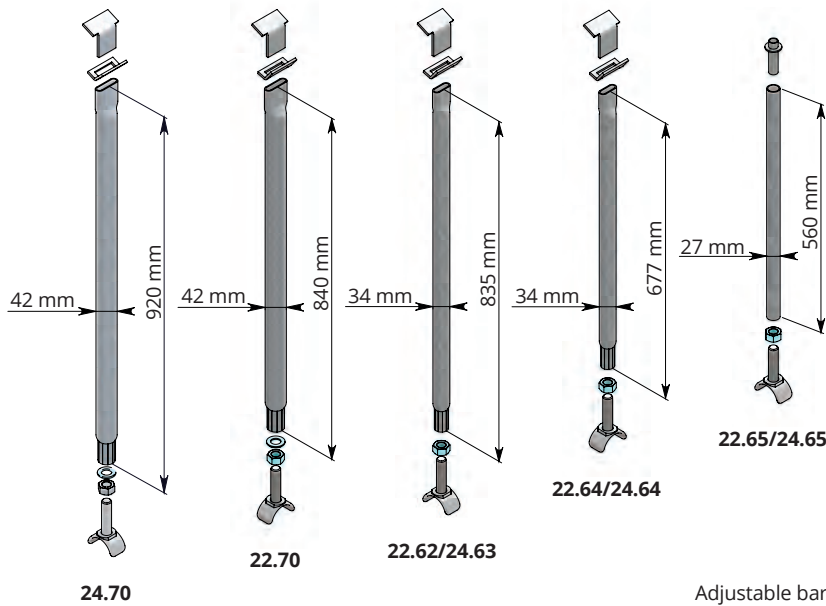
02.91.402	Mounting to barn post Ø102 mm 0 - 20 cm
02.91.408	Mounting to barn post Ø108 mm 0 - 20 cm
02.91.414	Mounting to barn post Ø114 mm 0 - 20 cm
02.91.421	Mounting to barn post Ø121 mm 0 - 20 cm
02.91.425	Mounting to barn post Ø125 mm 0 - 20 cm
02.91.433	Mounting to barn post Ø133 mm 0 - 20 cm
02.91.439	Mounting to barn post Ø139 mm 0 - 20 cm
02.91.452	Mounting to barn post Ø152 mm 0 - 20 cm
02.91.460	Mounting to barn post Ø160 mm 0 - 20 cm
02.91.468	Mounting to barn post Ø168 mm 0 - 20 cm
02.91.477	Mounting to barn post Ø177 mm 0 - 20 cm
02.91.494	Mounting to barn post Ø194 mm 0 - 20 cm
02.91.496	Mounting to barn post Ø200 mm 0 - 20 cm
02.91.182	Mounting to barn post 80 x 140 mm (among other Serrestal) 0 - 5 cm
02.91.282	5 - 10 cm
02.91.382	10 - 20 cm



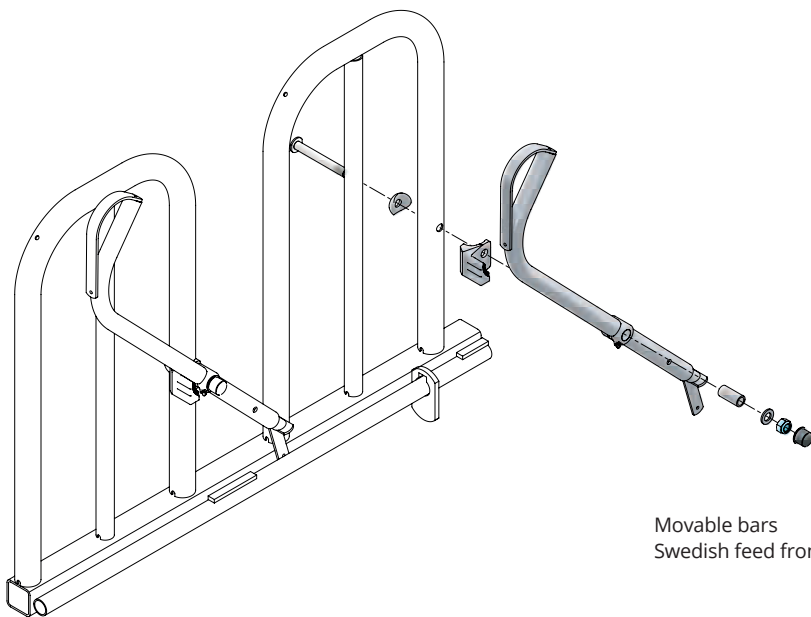
Set of feed front fasteners for mounting between barn posts

	Revolving feed front		Permanent feed front	
	min. length	max. length	min. length	max.length
02.91.605 sit. A	X - 74	X - 34	X - 74	X + 10
02.91.605 sit. B	X - 74	X - 44	X - 74	X - 10
02.91.615 sit. A	X - 125	X - 83	X - 125	X - 41
02.91.615 sit. B	X - 125	X - 83	X - 125	X - 51
02.91.625 sit. A	X - 176	X - 134	X - 176	X - 92
02.91.625 sit. B	X - 176	X - 134	X - 176	X - 92

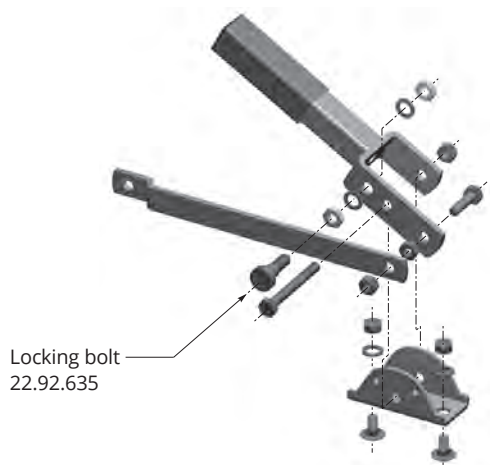
This list shows the product numbers.
The feed front sections are actually 10 mm shorter than the lengths stated in the catalogue.



Adjustable bar



Movable bars
Swedish feed front



Locking bolt
22.92.635

Adjustable bars

**Safety feedfront for cow 24.70 height 105 cm
(top bar 70 x 60 mm, lower bar 60 mm)**

- 22.68.061 Mounting part long clamp 42 mm
- 22.68.060 Mounting part short clamp 42 mm
- 24.70.030 Adjustable bar 42 mm
- 83.20.100 Washer M20 (20 x 37 x 3)
- 81.20.200 Hexagon nut m20
- 02.28.030 Clamp M20 for adjustable bar / 60 mm

**Safety feedfront for cow 22.70 height 97 cm
(top bar 70 x 60 mm, lower bar 60 mm)**

- 22.68.061 Mounting part long clamp 42 mm
- 22.68.060 Mounting part short clamp 42 mm
- 22.68.030 Adjustable bar 42 mm
- 83.20.100 Washer M20 (20 x 37 x 3)
- 81.20.200 Hexagon nut m20
- 02.28.030 Clamp M20 for adjustable bar / 60 mm

**Self-locking feedfront for heifers
22.62/24.63 height 95 cm
(top bar 60 x 50 mm, lower bar 48 mm)**

- 02.64.061 Mounting part long clamp 34 mm
- 02.64.060 Mounting part short clamp 34 mm
- 22.62.030 Adjustable bar 34 mm heifers
- 81.20.200 Hexagon nut M20
- 02.24.030 Clamp M20 for adjustable bar / 48 mm

**Self-locking feedfront for young heifers
22.64/24.64 height 80 cm
(top bar 60 x 50 mm, lower bar 48 mm)**

- 02.64.061 Mounting part long clamp 34 mm
- 02.64.060 Mounting part short clamp 34 mm
- 22.64.030 Adjustable bar 34 mm young heifers
- 81.20.200 Hexagon nut M20
- 02.24.030 Clamp M20 for adjustable bar / 48 mm

**Self-locking feedfront for calves
22.65/24.65 height 70 cm
(top bar 60 x 50 mm, lower bar 48 mm)**

- 02.25.030 Clamping bush for adjustable bar 27 mm
- 02.25.020 Adjustable bar 27 mm calves
- 81.20.200 Hexagon nut M20
- 02.24.030 Clamp M20 for adjustable bar / 48 mm

Movable bars

Selflocking feed front

- 22.60.010 Mega model 22.60 height 112 cm
- 22.61.010 For cows model 22.61 height 95 cm
- 22.61.010 For heifers model 22.62 height 95 cm
- 22.64.010 For young heifers model 22.64 height 80 cm
- 22.65.010 For calves model 22.65 height 70 cm

Safety feed front

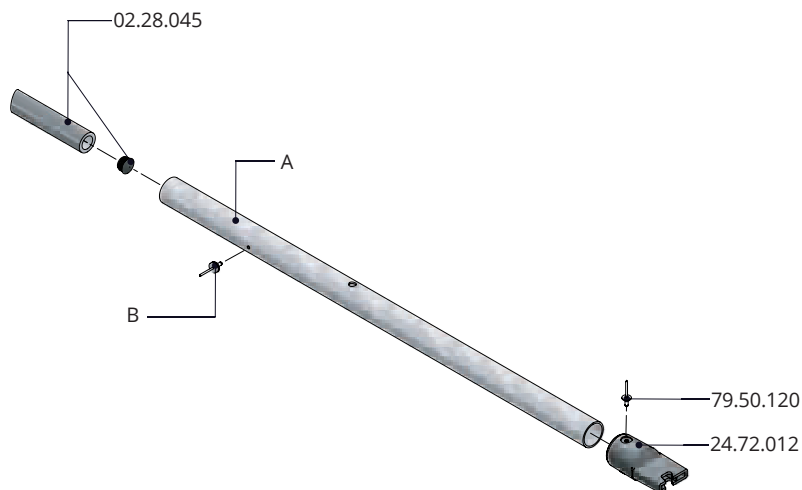
- 22.72.020 For cows model 22.72 height 97 cm
- 22.72.020 For cows adj. model 22.70 height 97 cm

Swedish feed front

- 02.34.070 For cows model 02.31/02.34 height 76 cm
- 02.32.070 For cows model 02.32/02.33 height 86 cm
- 02.34.070 For heifers model 02.35 height 76 cm
- 02.32.080 Parts for movable bar Swedish feed front
- 02.32.085 Locking bar for Swedish feed front cpl.

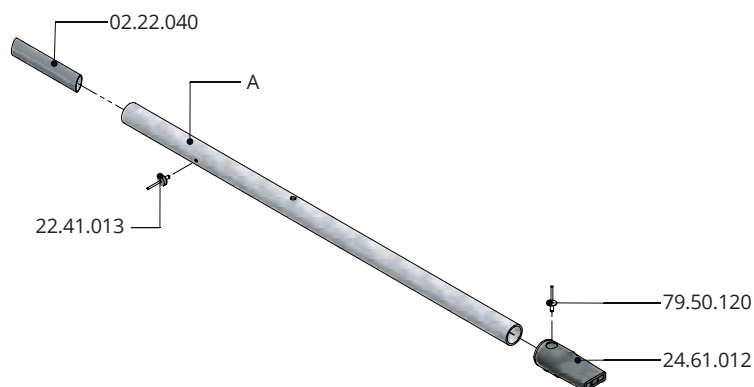
**Locking bolt for operating handle,
for safety and self-locking feedfronts,
produced from 1999 up to 2013.**

- 22.92.635 Locking bolt, incl. nuts and toothed rings



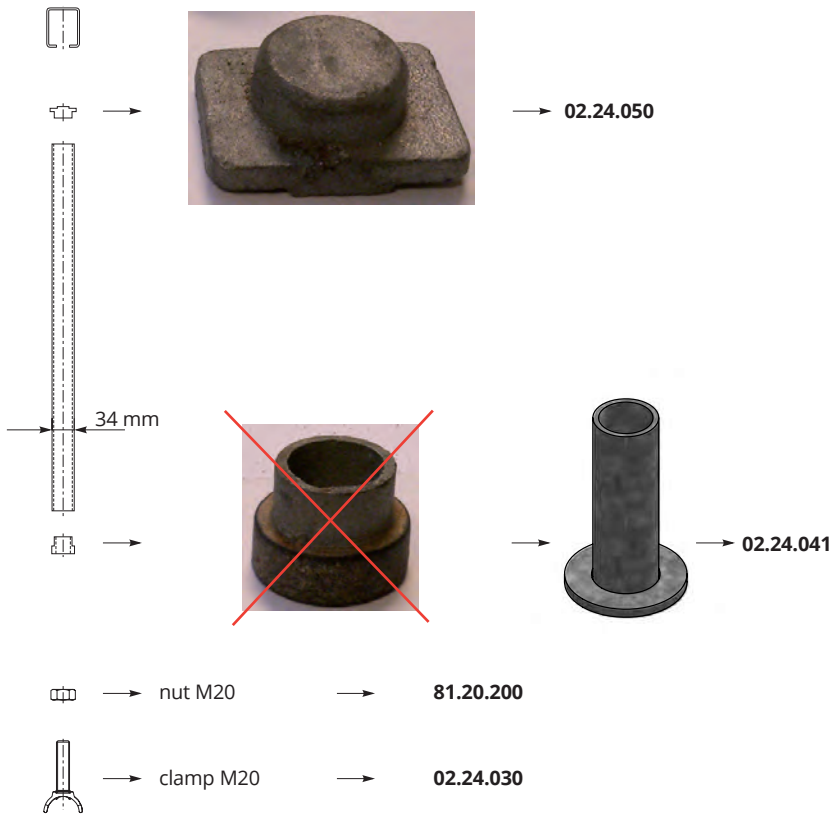
Movable bar Highline		
Item-nr.	Description	Number
A	Tube 42 mm	1
B	Pop rivet buffer	1
02.28.045	PVC tube for moving bar, beef cattle	1
24.72.012	Stopper for movable bar 42 mm mod 2011	1
79.50.120	Rivet 4,8 x 12 mm Alu	1

Type	Movable bar complet	A	B
24.72	24.72.010	Tube 42 mm L = 895 mm	22.71.013
24.70	24.72.010	Tube 42 mm L = 895 mm	22.71.013
24.73	24.73.010	Tube 42 mm L = 817 mm	22.71.013
24.66	24.66.010	Tube 42 mm L = 880 mm	22.41.013



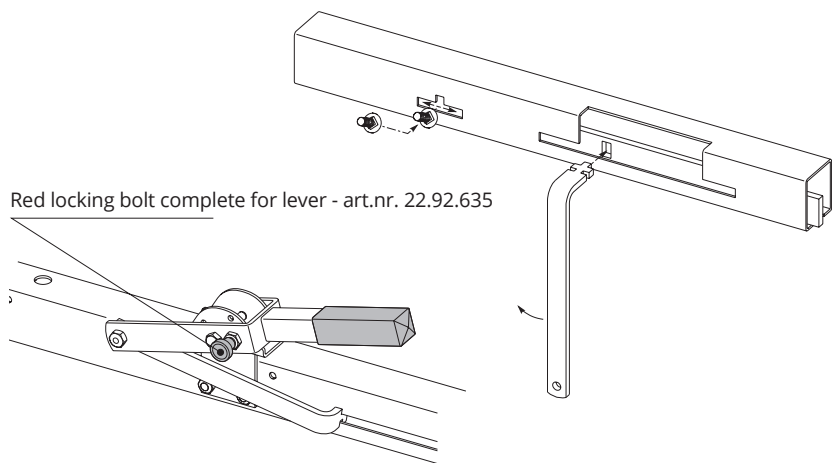
Movable bar Baseline		
Item-nr.	Description	Number
A	Tube 34 mm	1
02.22.040	PVC tube for movable bar 34 mm	1
22.41.013	Rivet buffer 6mm	1
24.61.012	Movable bar stopper 34 mm plastic 2012	1
79.50.120	Rivet 4,8 x 12 mm Alu	1

Type	Movable bar complet	A
22.61	22.61.010	Tube 34 mm L = 799 mm
22.64	22.64.010	Tube 34 mm L = 644 mm
22.65	22.65.010	Tube 34 mm L = 564 mm



Components for adjustable bars 34 mm
(applicable to feed fences produced before 1994)

- 02.24.050** Casting part top adjustable bar 34 mm
- 02.24.041** Reducing socket adjustable bar 34 mm
- 81.20.200** Hexagon nut M20
- 02.24.030** Clamp M20



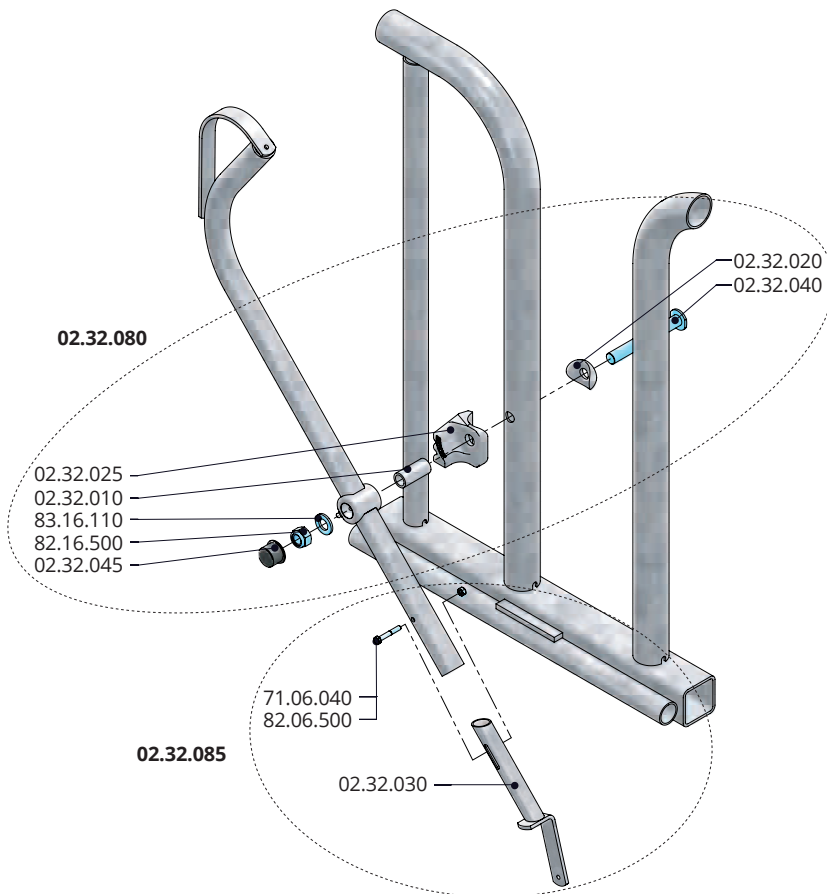
Operating handle Safety feed front complete - art. nr. 22.92.700

(applicable to safety feed front models listed below, produced in the period 1999 to 2013 inclusive):

Model	Description	Height	Period from	to
22.41	Self-locking, 4-fold operation.	97 cm	1997	- 1999
22.68	Self-locking, beef cattle, 4-fold	97 cm	1998	- 1999
22.69	Self-locking, beef cattle, 4-fold	97 cm	1998	- 1999
22.70	Safety feed front, adj. bar	97 cm	2000	- 2013
22.71	Safety feed front	113 cm	1997	- 1999
22.72	Safety feed front	97 cm	1997	- 2013
23.71	Safety feed front	113 cm	2000	- 2013
23.73	Safety feed front, typ W	113 cm	2001	- 2013

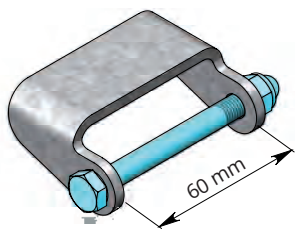
Operating handle 22.92.700 can also be used on the above-mentioned feed front models manufactured before **1999**.

- 22.92.700** Operating handle Safety feed front
- 22.92.635** Locking bolt complete for lever

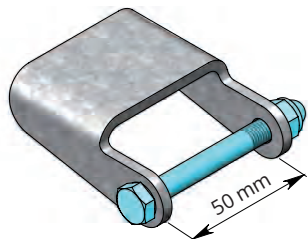


02.32.080 Parts for movable bar Swedish feed front		
Item-nr.	Description	Number
02.32.010	bearing bush R22x3x48 Swedish feed front	1
02.32.020	rotation clamp plate for Swed.feed front	1
02.32.025	bumper clamp for Swedish feed front	1
02.32.040	bolt M16x125 for Swedish feed front	1
02.32.045	nut cap M16, red	1
82.16.500	self locking nylon nut M16	1
83.16.110	washer M16 Din 125A	1

02.32.085 locking pc. for movable bar Swedish cpl.		
Item-nr.	Description	Number
02.32.030	locking bar for Swedish feed front	1
71.06.040	hexagon-head tap bolt M6x40 galv.	1
82.06.500	self locking nylon nut M6 galv.	1



- Sealing flap for safety feed fence model 22.70 23.73



- Sealing flap for self-locking feed fence model 22.60 22.66

Sealing flap for the release opening in the upper profile of the feed fence

Over time, the catching function of a number of feed openings in Spinder feed fences manufactured before 2013 may no longer be operating for one hundred percent. The cause lies almost always in soiling of the internal control mechanism in the upper profile of the feed fence as a result of the cows throwing feed up in the air. In this case, we recommend fitting a folding head bar (see page 2.16) to prevent soiling of the control mechanism and, at least as important, to reduce the feed waste. If necessary, soiling of the control mechanism can be prevented permanently by fitting tiltable sealing flaps above the 20 mm release openings.

22.72.025 Sealing flap for safety feed fence, including bolt M8 x 80mm and cap nut (for upper profile 70 x 60mm)
Attention! Two flaps per feed opening

22.61.025 Sealing flap for self-locking feed fence including bolt M8 x 70mm and cap nut (for upper profile 60 x 50mm)



cm → feet and inches

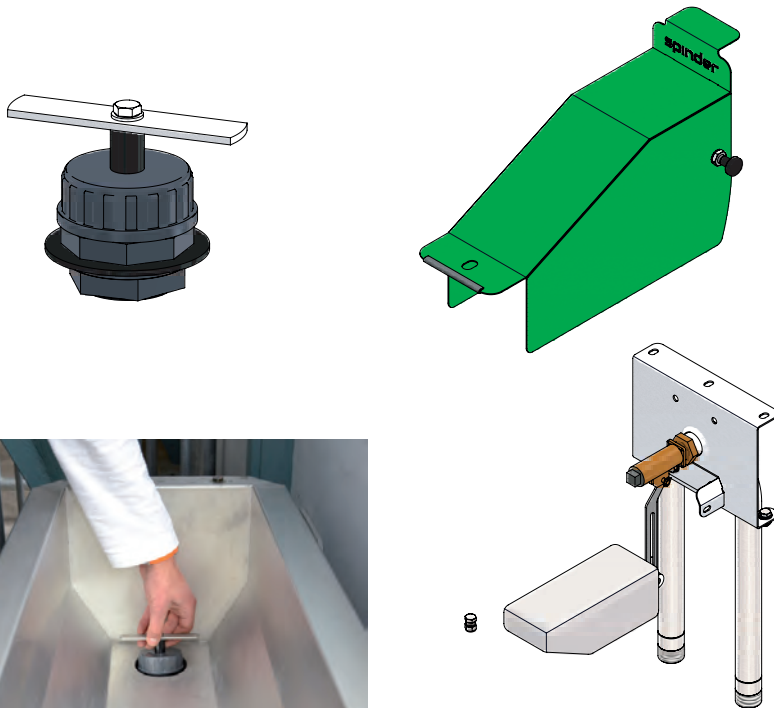
	0"	1"	2"	3"	4"	5"	6"	7"	8"	9"	10"	11"
0'	0,0	2,5	5,1	7,6	10,2	12,7	15,2	17,8	20,3	22,9	25,4	27,9
1'	30,5	33,0	35,6	38,1	40,6	43,2	45,7	48,3	50,8	53,3	55,9	58,4
2'	61,0	63,5	66,0	68,6	71,1	73,7	76,2	78,7	81,3	83,8	86,4	88,9
3'	91,4	94,0	96,5	99,1	101,6	104,1	106,7	109,2	111,8	114,3	116,8	119,4
4'	121,9	124,5	127,0	129,5	132,1	134,6	137,2	139,7	142,2	144,8	147,3	149,9
5'	152,4	154,9	157,5	160,0	162,6	165,1	167,6	170,2	172,7	175,3	177,8	180,3
6'	182,9	185,4	188,0	190,5	193,0	195,6	198,1	200,7	203,2	205,7	208,3	210,8
7'	213,4	215,9	218,4	221,0	223,5	226,1	228,6	231,1	233,7	236,2	238,8	241,3
8'	243,8	246,4	248,9	251,5	254,0	256,5	259,1	261,6	264,2	266,7	269,2	271,8
9'	274,3	276,9	279,4	281,9	284,5	287,0	289,6	292,1	294,6	297,2	299,7	302,3
10'	304,8	307,3	309,9	312,4	315,0	317,5	320,0	322,6	325,1	327,7	330,2	332,7
11'	335,3	337,8	340,4	342,9	345,4	348,0	350,5	353,1	355,6	358,1	360,7	363,2
12'	365,8	368,3	370,8	373,4	375,9	378,5	381,0	383,5	386,1	388,6	391,2	393,7
13'	396,2	398,8	401,3	403,9	406,4	408,9	411,5	414,0	416,6	419,1	421,6	424,2
14'	426,7	429,3	431,8	434,3	436,9	439,4	442,0	444,5	447,0	449,6	452,1	454,7
15'	457,2	459,7	462,3	464,8	467,4	469,9	472,4	475,0	477,5	480,1	482,6	485,1
16'	487,7	490,2	492,8	495,3	497,8	500,4	502,9	505,5	508,0	510,5	513,1	515,6
17'	518,2	520,7	523,2	525,8	528,3	530,9	533,4	535,9	538,5	541,0	543,6	546,1
18'	548,6	551,2	553,7	556,3	558,8	561,3	563,9	566,4	569,0	571,5	574,0	576,6
19'	579,1	581,7	584,2	586,7	589,3	591,8	594,4	596,9	599,4	602,0	604,5	607,1
20'	609,6	612,1	614,7	617,2	619,8	622,3	624,8	627,4	629,9	632,5	635,0	637,5

Example: 325,1 cm → 10'8"
1 meter = 100 cm
1 cm = 10 mm

Dimension in mm	Dimension in inches
26,9 mm	-
33,7 mm	1 ³ / ₈ "
42,4 mm	1 ⁵ / ₈ "
48,3 mm	1 ⁷ / ₈ "
60,3 mm	2 ³ / ₈ "
76,1 mm	3"
88,9 mm	3 ¹ / ₂ "
114,3 mm	4 ¹ / ₂ "

Drinking

- Pingo drinking troughs 3.1
- Classic drinking troughs 3.3
- Drinking troughs model F 3.4
- Individual drinking troughs 3.5
- Drinking bowls 3.6
- Circulation unit / eyelet 3.7
- Parts 3.8



Pingo drinking troughs

Important features:

Comfort for the cow:

- Natural supply of water in a wide trough, large drinking surface;
- No sharp edges, integrated stainless steel protective bracket on three sides.

Convenience for the farmer:

- The drinking trough is easy to clean thanks to the sloping bottom, large outlet and handy removable plug;
- The float is also easy to clean because of the easy-to-remove (green) float cover;
- Universal mounting. The Pingo can be mounted on the wall or on the floor;
- Long service life. The drinking trough is made completely of stainless steel and is fully coated.

Convenient to install (time is money):

- Float can be mounted in several positions in the drinking trough;
- Universal, suitable for water supply from above or below;
- Comes with everything supplied, including 180 degree elbow for circulation pipe system (see picture), all in stainless steel;
- Both connection points are equipped with 1" external thread.

Technical specifications:

	Drinking surface (L x B in cm)	capacity (litres)
Pingo 100	82 x 38	50
Pingo 200	182 x 38	100
Pingo 300	282 x 38	150

Pingo, wall-mounted

- 06.13.600 Pingo 100, wall-mounted
- 06.13.700 Pingo 200, wall-mounted
- 06.13.800 Pingo 300, wall-mounted

Accessories

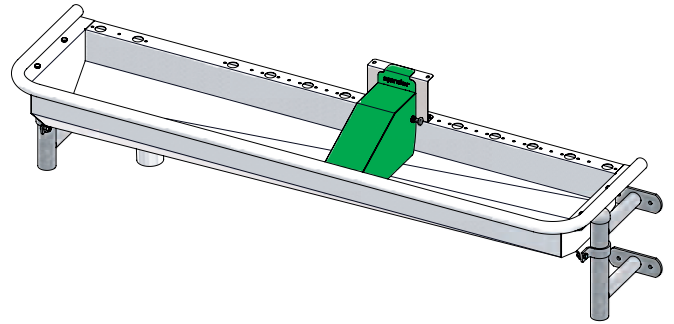
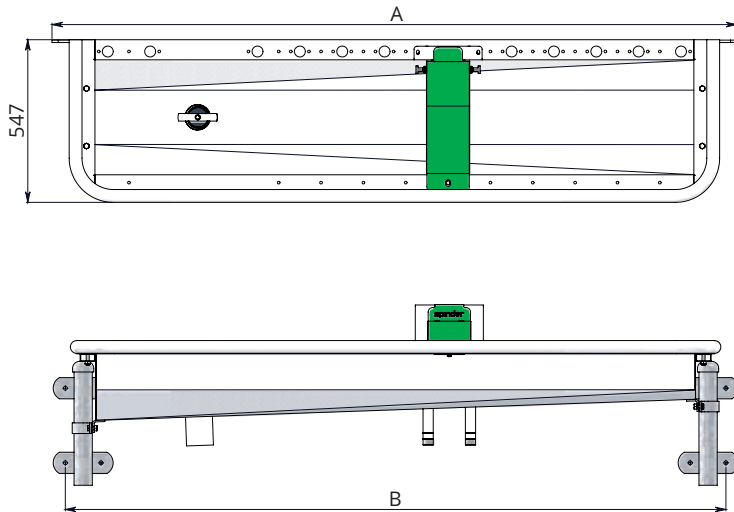
- 11.11.230 Anchor bolt M12 x 86 (6 for each drinking trough)

Pingo, floor-mounted

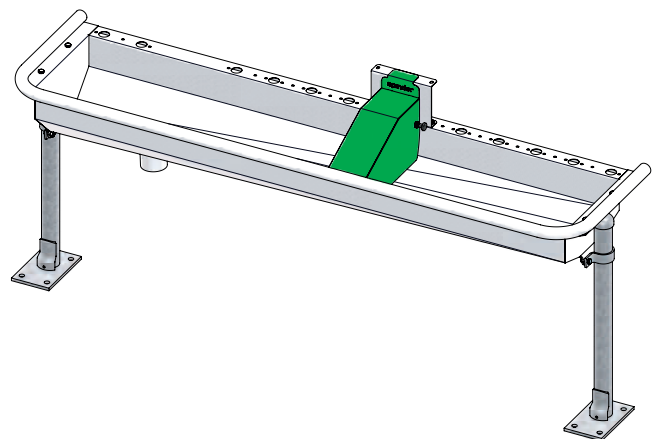
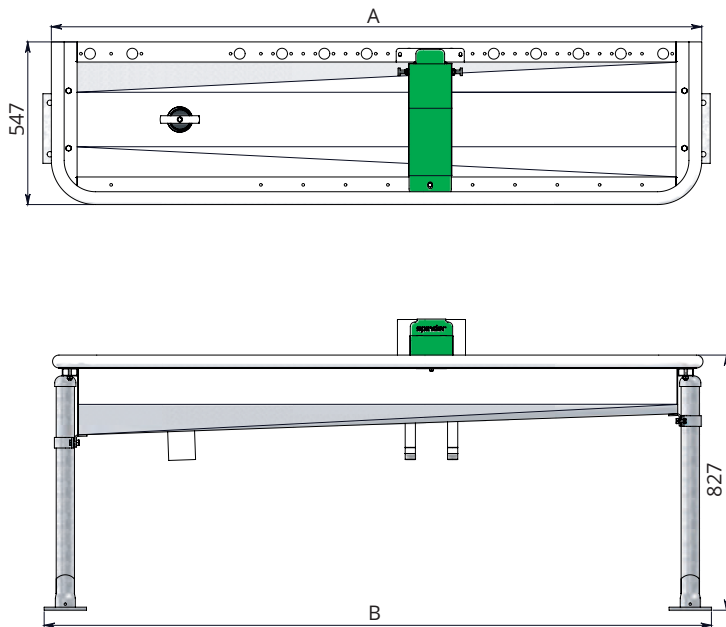
- 06.13.100 Pingo 100, floor-mounted (incl. leg set)
- 06.13.200 Pingo 200, floor-mounted (incl. leg set)
- 06.13.300 Pingo 300, floor-mounted (incl. leg set)

Accessories

- 11.11.230 Anchor bolt M16 x 120 (8 for each drinking trough) or
- 11.12.016 Chemical anchors M16 (10 per pack) or
- 11.10.300 T-bolt M16/28x25 cm for mounting on slatted floor (8 for each drinking trough)



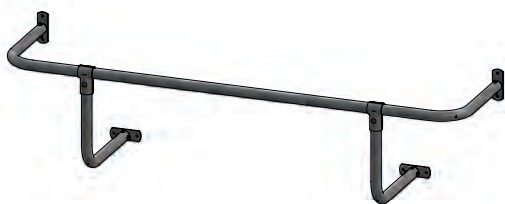
Wall-mounted			
		A (in mm)	B (in mm)
06.13.600	Pingo 100	1359	1315
06.13.700	Pingo 200	2274	2230
06.13.800	Pingo 300	3284	3240



Floor-mounted			
		A (in mm)	B (in mm)
06.13.100	Pingo 100	1240	1289
06.13.200	Pingo 200	2170	2204
06.13.300	Pingo 300	3175	3214



• Model 200, wall mounted



• Protection brace for model 200



• Protection brace for model 150



• Model 200, wall mounted whit protection brace

Drinking trough models 150, 200 and 300

Cows are herd animals. They like standing together at a long drinking trough. A drinking trough is most suitable for providing many cows with clean drinking water in a short period of time. Cleaning these long drinking troughs is also a very easy task. After removal of the stopper, the dirt is automatically discharged into the pit. Model 150 (150 cm long) has a capacity of about 100 litres and offers sufficient drinking facilities for approx. 15 cows. Model 200 (200 cm long) has the same characteristics as model 150, but has a reservoir of 130 litres and offers therefore sufficient drinking facilities for approx. 20 cows. Model 300 (300 cm long) has a capacity of about 200 litres and offers sufficient drinking facilities for approx. 30 cows.

	Model 150	Model 200	Model 300
Dimensions:	28 x 150 cm	28 x 200 cm	28 x 300 cm
Capacity:	ca. 100 liter	ca. 133 liter	ca. 200 liter
Attachment:	floor or wall attachment		
Drinking height:	80 cm (top of the drinking trough)		

Important features:

- Made from stainless steel and fully stained;
- Outward-turned edges, no caking of dirt;
- Easy to clean, thanks to a smooth and funnel-shaped finish;
- Easily removable stop.

Accessories:

- Suevia float, capacity max. 40 litres/min.;
- Fastening items for wall or floor mounting.

Optional:

- A protection bracket if the drinking trough is placed against a (concrete) wall.

Stainless steel water trough, floor mounted

06.12.150	Model 150, floor mounted
06.12.200	Model 200, floor mounted
06.12.300	Model 300, floor mounted

Accessories

06.12.170	Float valve 100l/min complete with cover
11.11.250	Floor anchor M16 x 120
11.12.016	Chemical anchor M16, incl. capsule (10 anchors)
11.10.300	T-bolt 28 x 25 cm

Stainless steel water trough, wall mounted

06.12.650	Model 150, wall mounted
06.12.700	Model 200, wall mounted
06.12.750	Model 300, wall mounted

Accessories

06.12.170	Float valve 100l/min complete with cover
11.11.230	Floor anchor M12 x 86 (8 per trough)

Protection brace for stainless steel water troughs

06.12.915	Protection brace for model 150
06.12.920	Protection brace for model 200
06.12.930	Protection brace for model 300

Accessories

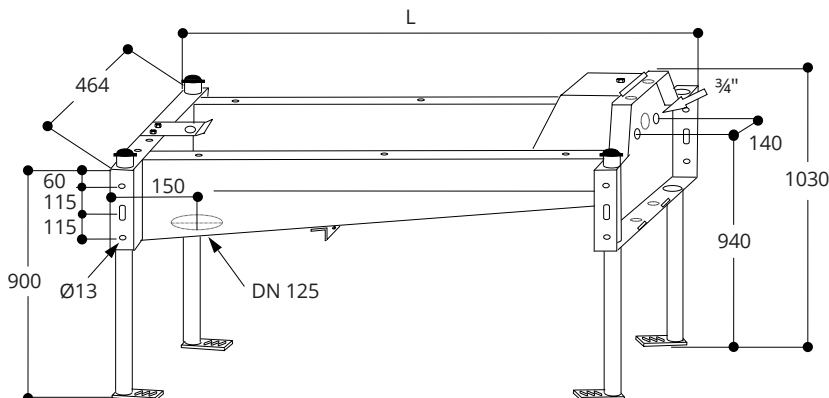
11.11.220	Floor anchor M10 x 86
	- 6 per brace for model 150
	- 8 per brace for model 200
	- 10 per brace for model 300



• Bulk drinking troughs model F



• Heating element for mounting below the drinking trough



• Dimensions of drinking troughs, model F

Bulk drinking troughs, frost-protected, model F

Frost in open freestall systems may occur in colder regions. In that event, the animals must still be able to drink. The bulk drinking troughs model F can be fitted with frost protection.

This frost protection consists of a heating element mounted under the drinking trough. It gives frost protection up to approximately -20°C.

The supply line can also be heated by coiling a thermocable around it.

Heating element and thermocable must be connected in parallel to a suitable transformer.

Suitable for wall mounting; floor mounting is also possible with a leg set (49 cm width incl. leg set).

The bulk drinking troughs model F:

- Made from stainless steel;
- With rounded corners and sloping bottom;
- With built-in float, float cover opens easily with no tools;
- Possibility of adding a low-pressure float;
- Side connection water supply;
- The cover plate can be used to conceal the connecting pipes.

Model	length (cm)	width (cm)	capacity approx. (l.)
F 140	140	47	100
F 190	190	47	130
F 230	230	47	160
F 285	285	47	200

Bulk drinking troughs frost-protected

- 06.66.014** Bulk drinking trough model F 140, holds approx. 100 litres
- 06.66.019** Bulk drinking trough model F 190, holds approx. 130 litres
- 06.66.024** Bulk drinking trough model F 230, holds approx. 160 litres
- 06.66.029** Bulk drinking trough model F 285, holds approx. 200 litres

Accessories

- 06.66.030** Set of 4 legs, drinking trough model F
- 06.60.738** Low-pressure float
- 06.66.774** Cover plate for connecting pipes

Heating elements, 1 per bulk drinking trough

- 06.66.060** Heating element 24V, 180W, for F 140, mounted below the drinking trough
- 06.66.061** Heating element 24V, 180W, for F 190, mounted below the drinking trough
- 06.66.062** Heating element 24V, 360W, for F 230 and F 285, mounted below the drinking trough

Transformers; 1 per bulk drinking trough

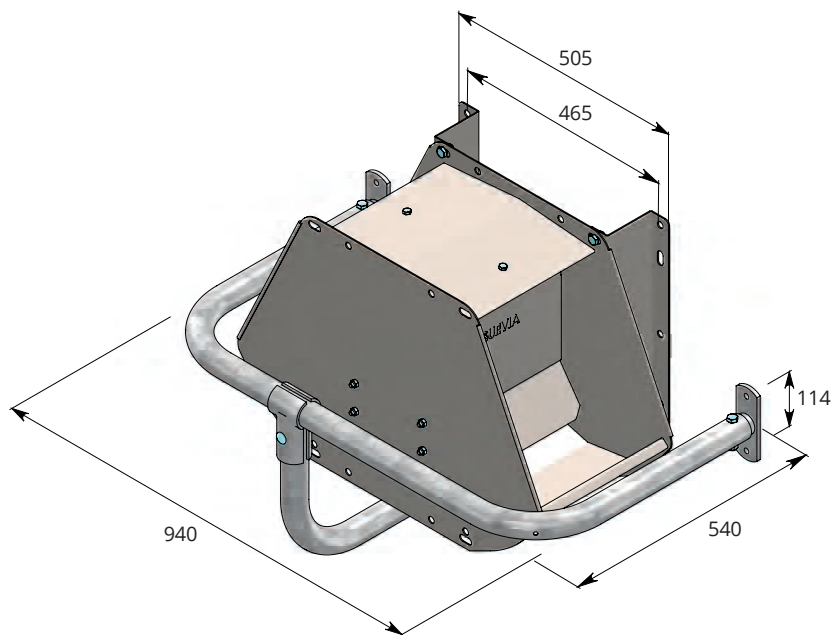
- 06.60.390** Transformer 230/24V, 200W, for F 140 and F 190
- 06.60.392** Transformer 230/24V, 400W, for F 230 and F 285

Option

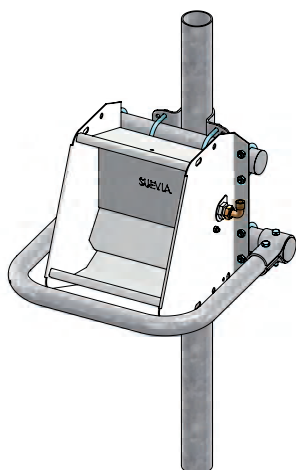
- 06.60.861** Thermocable for heating the supply line
- 06.60.863** Thermocable 24V, 20W, 2 metres
- 06.60.863** Thermocable 24V, 20W, 3 metres



• Stainless steel dual-trough, model 520



• Stainless steel drinking trough, model 500 plus protection brace



Drinking water is essential

Milk consists for 90% of water. Therefore it is essential to provide cows with good and plenty drinking water. In addition water is vital for the animals to function well. In a day a cow drinks on average 9 times. A high producing cow needs to drink at least 160 litres of water in these times. For each litre of milk a cow produces, she needs to take in at least 4 litres of water.

Please do not underestimate the importance of a good drinking water system. To allow all cows to drink adequately, we recommend installing one water trough for 20 animals.

Additionally to the quantity of water, the quality of the water is important as well. Therefore staying clean and easy cleaning of the troughs is fundamental. With this in mind Spinder offers a large assortment of drinking water troughs; a selection of small enamel cast bowls and both small and large stainless steel water troughs. All of these are very easy to keep clean.

Stainless steel dual-trough

One of the advantages of our stainless steel dual water trough is its compact size. The trough is accessible from two opposite sides. This way two animals can drink undisturbed simultaneously. Also the animals that are drinking are not blocking other animals passing by. This for the benefit of comfort and undisturbed cow-traffic in the barn. The substantial flow of approx. 30 litres per minute makes that the animals can drink all through quickly. Installation and plumbing is easy to do. One dual-trough can supply 35-40 cows. To prevent the trough from freezing we can offer a heating element. It goes without saying that the stainless steel construction guarantees durability.

- 06.60.525** Stainless steel dual-trough
- 11.11.230** Floor anchor M12 x 86 (4 per dual-trough)
- 06.16.260** Protection brace for dual-trough
- 11.11.210** Floor anchor M10 x 71 (6 per protection brace)
- 06.60.524** Heating element for model 520, 24 Volt / 80 Watt

Stainless steel drinking trough, model 500

Many features of this model are the same as those of the dual-trough. Only this model can supply just one animal with fresh and clean water at the time. This model can also be mounted to a feed front, walls, support posts, or barn supports. One stainless steel drinking trough, model 500, can supply approximately 20 cows. To prevent the trough from freezing we can offer a heating element. With this model as well the stainless steel construction guarantees durability.

- 06.60.500** Stainless steel drinking trough, model 500
- 06.90.085** Protection brace for model 500, mounted to a wall
- 06.90.080** Support + protection brace for model 500, mounted to a 76mm post
- 06.60.523** Heating element for model 500, 24 Volt / 80 Watt

Accessories

- 06.60.380** Suevia transformer 24 Volt / 100 Watt
- 06.60.390** Suevia transformer 24 Volt / 200 Watt
- 06.60.861** Heating cable 24 Volt / 20 Watt 2,0 m



Suevia model 375



Suevia model 25R



Suevia model 1200



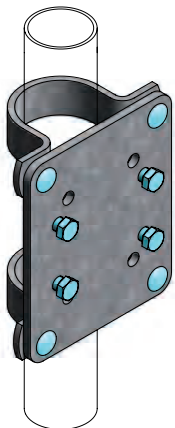
Suevia model 115



Suevia model 19R



Suevia model 46



Mounting plate for posts



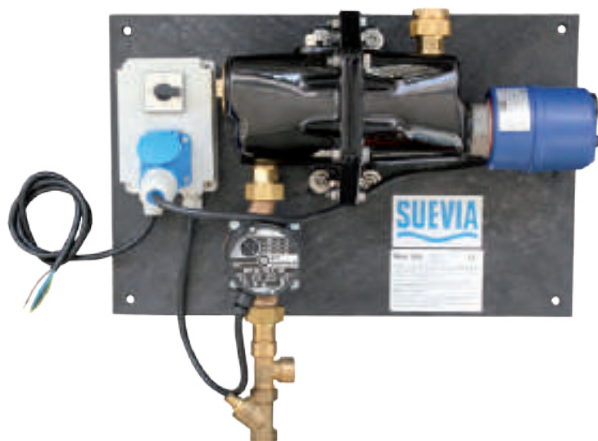
Fastening clamp 169



Set of fastening clamps 179

Suevia model	Wall mounted	Post mount			
		48 mm	60 mm	76 mm	89 mm
375	11.11.240	06.60.169 (2x)	06.60.169 (2x)	06.90.050	06.90.055
25 R	11.11.240	06.60.179	06.60.179	06.90.050	06.90.055
1200	11.11.240	06.60.169 (2x)	06.60.169 (2x)	06.90.050	06.90.055
115	11.11.240	06.60.179	06.60.179	06.90.050	06.90.055
19R	11.11.240	06.60.179	06.60.179	06.90.050	06.90.055
46	11.11.240		06.50.020	06.50.025	06.50.030

06.60.375	Suevia model 375 <ul style="list-style-type: none"> • Particularly for calves up to 3 months; • Enamel cast iron bowl; • Adjusting screw easy accessible; • Connection top or bottom 3/4" B.S.P.; • Water always evident; • Capacity: 10-15 calves;
06.60.026	Suevia model 25R <ul style="list-style-type: none"> • Appropriate for older heifers; • Enamel cast iron bowl; • Adjusting screw easy accessible; • Connection top or bottom 3/4" B.S.P.; • Capacity: 10-15 heifers;
06.61.129	Suevia model 1200 <ul style="list-style-type: none"> • Appropriate for maternity pens; • Stainless steel, with rim to prevent spilling; • Large capacity, up to 15 litres/min (at 5 bar); • Connection top or bottom 3/4" B.S.P.; • Easy to clean; • Capacity: 5-10 cows;
06.60.115	Suevia model 115 <ul style="list-style-type: none"> • Appropriate for tie stalls; • Enamel cast iron bowl; • Adjusting screw behind the valve; • Connection top or bottom 1/2" B.S.P.;
06.60.120	Suevia model 19R <ul style="list-style-type: none"> • Ideal for barriers in between pens, accessible from 2 sides; • Enamel cast iron bowl; • Adjusting screw easy accessible; • Connection top or bottom 3/4" B.S.P.;
06.60.047	Suevia model 46 <ul style="list-style-type: none"> • Appropriate for colder climates; • A 24 Volt / 80 Watt heating element is located between top- and bottom bowl; • Connection top or bottom 3/4" B.S.P.;
06.60.380	Transformer for heating element (100VA)
	Mounting plate for posts <ul style="list-style-type: none"> • Sturdy mounting plate for connecting to posts; • Fitting for models 25R, 19R, 115 and 1200; • Less strain on the bowl as when mounted straight to post; • Bolts and nuts are included;
06.90.050	Mounting plate for 76 mm
06.90.055	Mounting plate for 89 mm
06.60.169	Fastening clamp 169 <ul style="list-style-type: none"> • Fastening clamp M12 for 48-60 mm, galvanised; • Fitting for models 375, 1200;
06.60.179	Set of fastening clamps 179 <ul style="list-style-type: none"> • Fastening clamp for 42-60mm; • Set of 2 clamps with cast iron infilling; • Fitting for models 25R, 19R, 115;
06.50.020	Mounting clip fastening model 46
06.50.025	For mounting on 76 mm tube
06.50.030	For mounting on 89 mm tube



Circulation unit 3000 Watt, model 303



Circulation unit 6000 Watt, model 312, with return water temperature control



Eyelet

Suevia circulation unit with heating

Circulation system for all cold barns with drinking bowls. The water is heated and pumped around. Maximum pipe length, incl. return line, approx. 200 metres for the 3000 W version and approx. 350 metres for the 6000 W version. The circulation unit has one or two heating elements, a variable thermostat and a circulation pump. The system works as a boiler installation, which may cause pressure to rise in the pipelines. The water pressure in the supply pipe must be at least 1 bar and may not exceed 4 bar. To protect the circulation system, a non-return valve, a breather valve and an overpressure valve are provided. These must be fitted correctly (see installation instructions).

The 3000 W circulation unit is available in 230 V and 400 V models. The 400 V model is recommended if a 400 V power supply is available.

If fitted with return water temperature controls, set the required return water temperature on the thermostat in the return line. The heating element is automatically switched on if the temperature drops below the set value.

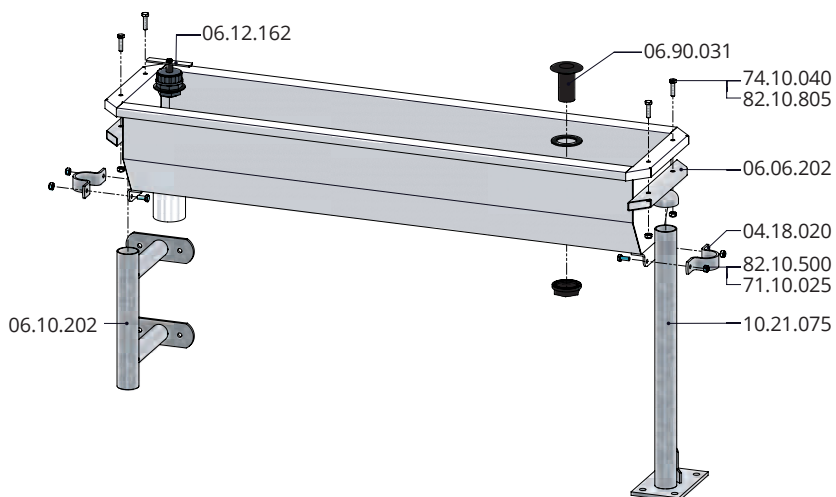
For the 300 and 303 models, a turning knob on the heating element is used to set the required flow water temperature. The heating element is thermostatically controlled and switches itself on and off.

Circulation unit 3000 Watt	
06.60.303	Model 303, 230 V
06.60.317	Model 317, 230 V with return water temperature control
06.60.300	Model 300, 400 V
06.60.311	Model 311, 400 V with return water temperature control

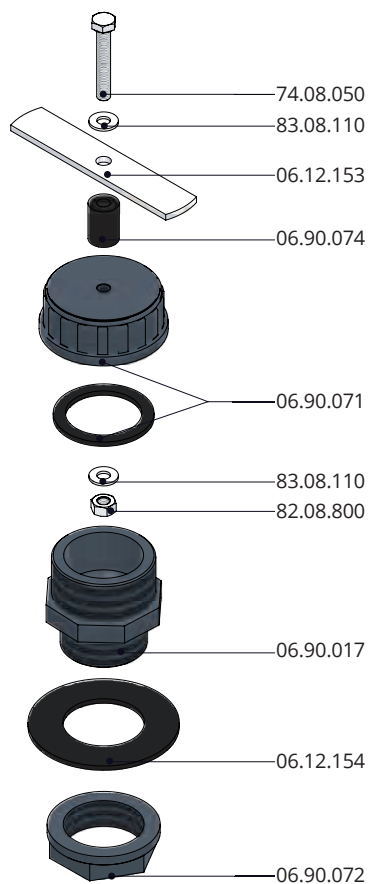
Circulation unit 6000 Watt	
06.60.312	Model 312, 400 V with return water temperature control

Eyelet model 309	
<ul style="list-style-type: none"> • To monitor flow in the waterlines • Eyelet includes propeller which rotates in waterflow • To be installed in the return line, just before the non-return valve. • When used with own water supply the visibility might be very limited. 	
Connected with ¾" or 1" inner-thread and 2 conical couplings	

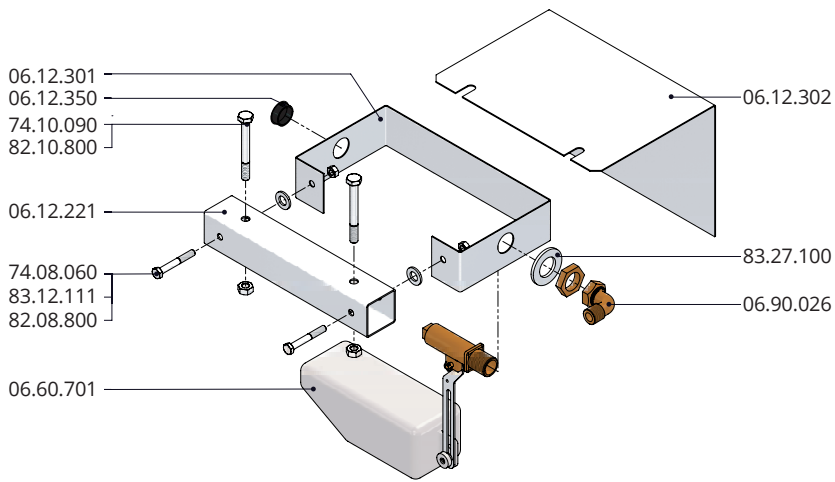
06.60.309	Eyelet flow control ¾" B.S.P.
06.60.319	Eyelet flow control 1" B.S.P.



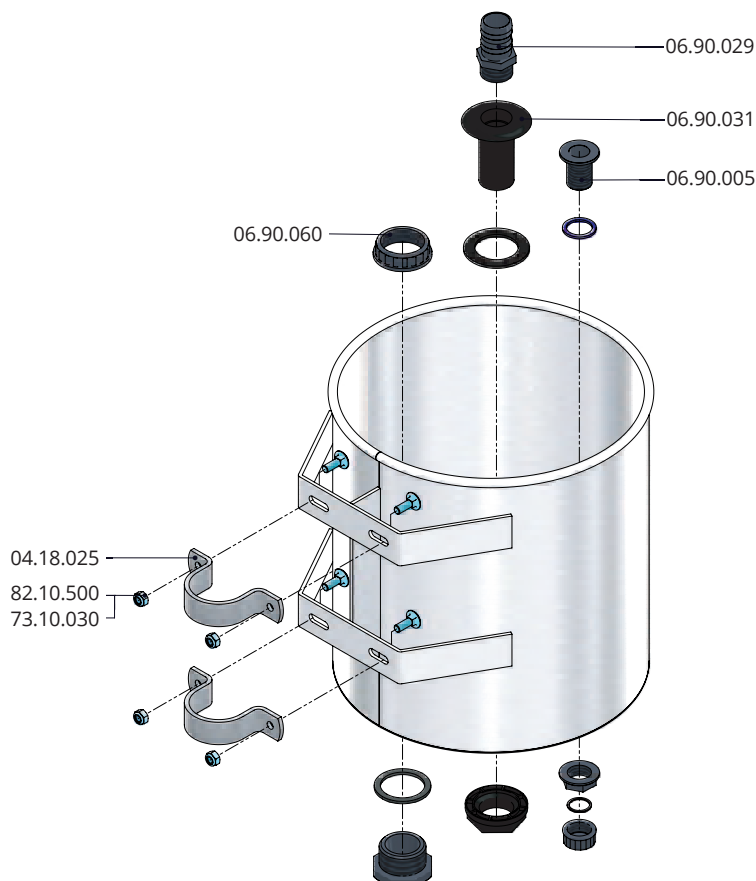
Classic trough		
Item-nr.	Description	Number
04.18.020	Mounting clip 60mm	2
06.06.202	Support for stainless steel trough 60mm	2
06.10.202	Wall support for stainless trough 60mm	2
06.12.156	Water trough 150x30x28 cm loose low Pr	1
06.12.162	Plug for stainless drinking trough	1
06.90.031	Hose connection 1,5", pipe excl.	1
10.21.075	Support post 60mmx75cm floor mounted	2
71.10.025	Hexagon-head tap bolt M10x25 galv	4
74.10.040	Hexagon-head tapbolt M10x40 stainless st	4
82.10.500	Self locking nylon nut M10 galv.	4
82.10.805	Self locking nylon nut M10, stainl.steel	4



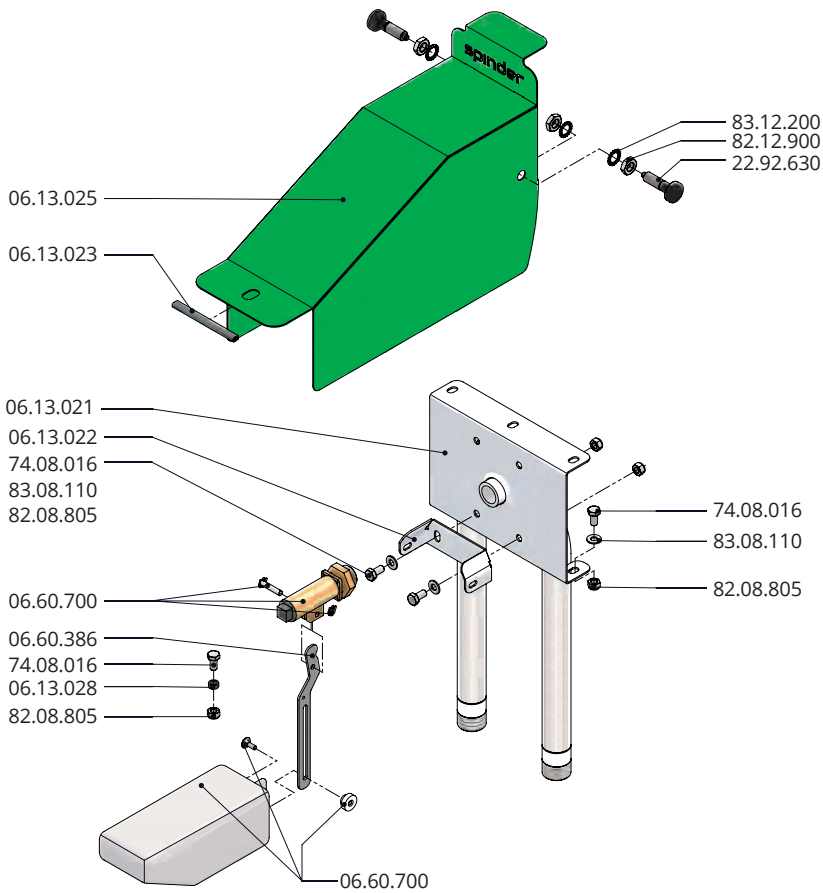
06.12.162 plug for stainless drinking trough		
Item-nr.	Description	Number
06.12.153	Stainless handle for plug	1
06.12.154	Rubber ring 88 x 50 x 3mm	1
06.90.017	Double nipple 48mm x 60mm	1
06.90.071	Stop 2" B.S.P. with rubber ring	1
06.90.072	PVC nut 1,5" B.S.P.	1
06.90.074	Spacer Black PA66 8.2 x18 l= 25mm	1
74.08.050	Hexagon-head tap bolt M8x50 stainless st	1
82.08.800	Hexagon nut M8 stainless steel	1
83.08.110	Washer M8 stainless steel	2



06.12.170 Valve + cover		
Item-nr.	Description	Number
06.12.221	stainless steel square tube for cover	1
06.12.301	mounting piece float valve Model 150cm	1
06.12.302	cover for drinking trough Model 150cm	1
06.12.350	conical sealing plug for drinking trough	1
06.60.701	float valve for drinking trough	1
06.90.026	tube connection 1/2"x3/4" 90 degree	1
74.08.060	hexagon-head bolt M8x60 stainless st	2
74.10.090	hexagon-head bolt M10x90 stainless st	2
82.08.800	hexagon nut M8 stainless steel	2
82.10.800	hexagon nut M10 stainless steel	2
83.12.111	washer M12 (13x24x2,5) stainless steel	2
83.27.100	washer M27 (28x50x4) stainless steel	1



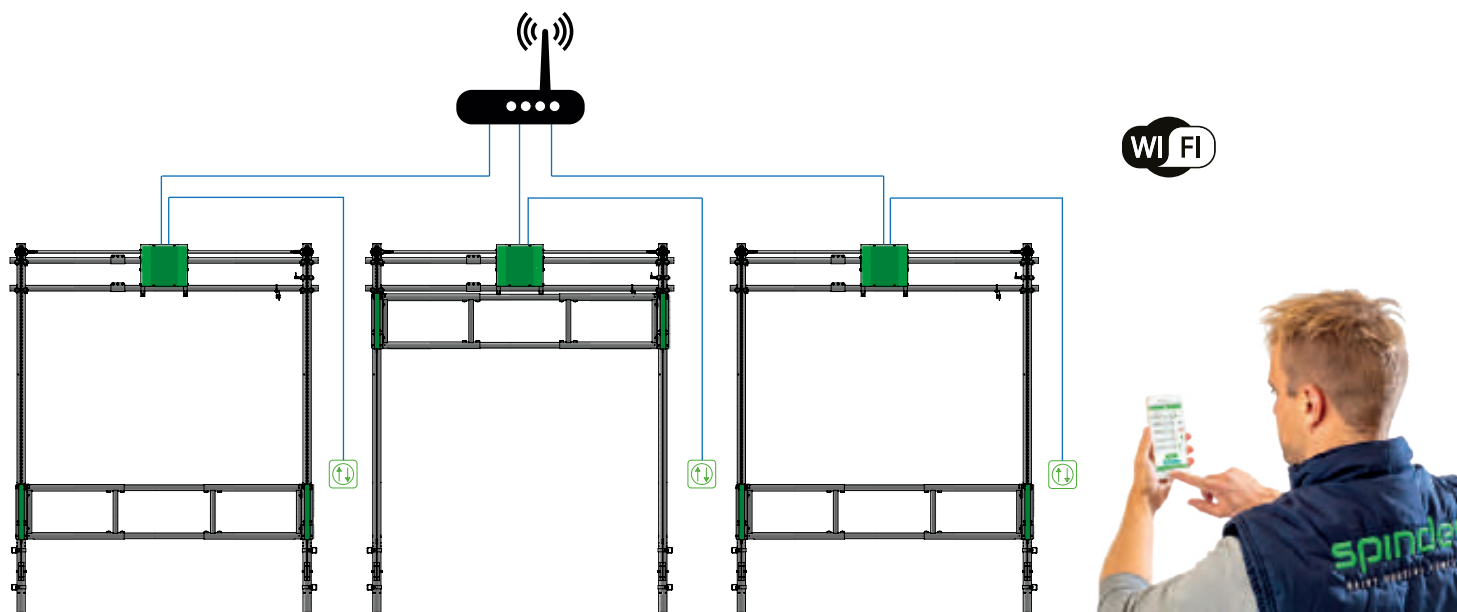
Drinking bowl, round		
Item-nr.	Description	Number
04.18.025	mounting clip 76mm	2
06.90.005	outlet 1" incl. cap	1
06.90.029	hose connection 1,5"	1
06.90.031	hose connection 1,5", pipe excl.	1
06.90.060	PVC stopper for 2" B.S.P.	1
73.10.030	coach bolt M10x30 galv.	4
82.10.500	self locking nylon nut M10 galv.	4



Float set Pingo		
Item-nr.	Description	Number
06.13.021	Connecting tube ball valve Pingo, SS	1
06.13.022	Locking device hood Pingo	1
06.13.023	Protection strip 1-2 mm, L=100mm	1
06.13.025	Float cover Pingo SS, green coated	1
06.13.028	Spacer black PA66 8.2 x12 l= 5mm	1
06.60.386	Valve lever maxiflow model 700	1
06.60.700	Float valve Maxiflow model 700	1
22.92.630	Locking bolt M12x26mm	2
74.08.016	Hexagon-head tap bolt M8x16 stainless st	5
82.08.805	Self locking nylon nut M8, stainl.steel	5
82.12.900	Hexagon nut M12x1.5 stainless steel flat	2
83.08.110	Washer M8 stainless steel	4
83.12.200	Toothed ring M12 galv.	2

Cow traffic

- Automated draw gates 4.1
- Draw gates 4.3
- Barrier gates 4.5
- Texas gate one-way gate 4.6
- Pasture gate one-way gate 4.7
- Topgate one-way gate 4.8
- Telescopic gates 4.9
- Partition barriers 4.12
- Partition barriers accessories and fittings 4.13
- Wall fasteners and universal locking point 4.19
- Wall fasteners 180° & 90° 4.20
- Wall fasteners and universal fasteners 4.21
- Partition barrier with fasteners 4.22
- Adjustable pivoting point and locking point 4.23



Autolift

Many of the processes in dairy husbandry have already been automated. This is however not the case for cow traffic management. The farmer still has to open and close the gates himself. Autolift automatically moves several cow traffic gates into certain positions to determine the desired route for a chosen group of animals. This system is controlled via an app, which knows all the configurations for cow traffic on your farm.

So what is new?

Automatic gates that are operated separately already exist. Autolift adds configurations for cow traffic that can be used to control all the gates involved as part of the cow traffic system.

To start with, all desired cow traffic configurations are programmed into the Autolift app, determining open and closed positions for all these gates. This system enables you to select a configuration with the app on your smartphone. All the gates concerned will now be in the desired position and cow traffic can be set in motion. If the farmer then chooses a different configuration, the gates will automatically facilitate another cow route.

The system is easy to use and saves labour and time. The physical labour of moving gates is now replaced by pressing a button on your smartphone. This has changed cow traffic from a purely operational task to simple and easy management.

The gates

The gates of the Autolift system are robustly constructed draw-up gates which move up and down automatically. Draw-up gates are the least susceptible to being blocked by animals. When the gate goes up, the animals in the neighbourhood will back away, and when the gates come down, the animals that happen to be below the gate will sense this and get out of the way. The materials used are robust and strong and able to withstand the force the animals exert on them for many years.

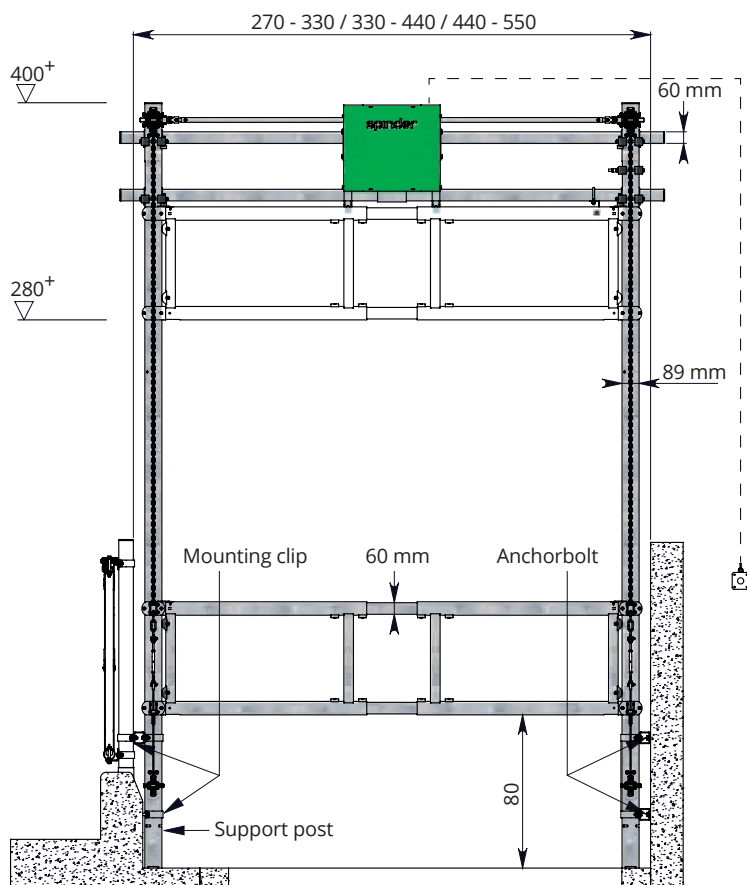
When the gate is open, its position is easily high enough for a tractor to pass under it. Thanks to the app's remote control function, the tractor driver can simply remain seated in his cab. A gate can be open so high that it can be difficult to lower a gate manually, but with the remote control it doesn't take any effort at all.

Where should the system be used?

The larger the farm, the more relevant and time-consuming the walking distances are. This can result in (expensive) milking equipment standing idle, which of course costs money. Autolift increases productivity! Because less physical effort is required, the work also becomes more pleasant. That is why the Autolift has earned a place on all livestock farms, large and small.

Safety and error handling

Each gate is equipped with a number of buttons that allow the system to be bypassed and the gates to be operated where they are. Motors can be easily disconnected and gates can be operated manually. A safety setting limits the traction capacity of the motors.



Autolift - stand alone

Robust electrically operated gate with push button operation.

The details:

- Support posts 89 mm;
- Partition barrier, beams 60 mm;
- Electric drive, mounted at the top;
- Counterweights fitted in the uprights;
- Required installation height at least 400 cm;
- When the gate is 'open' in its highest position, vertical clearance is 280 cm;
- Vertical clearance (for manure robot) when the gate is 'closed' is 80 cm.

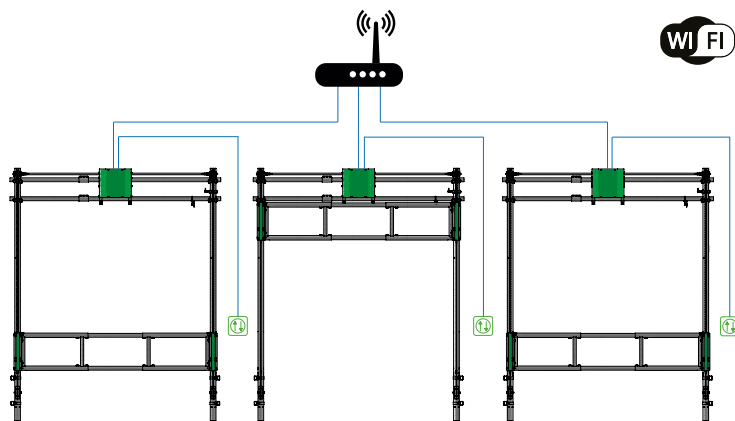
The technology:

- Drive; 0.37 kW reduction worm gearbox;
- Reduction worm gearbox, control box, push button, limit switches and main switch completely pre-assembled;
- Each Autolift requires a 220V supply. Connect to the main switch.

- 31.24.230** Autolift, suitable for widths from 270 to 330 cm
- 31.24.240** Autolift, suitable for widths from 330 to 440 cm
- 31.24.250** Autolift, suitable for widths from 440 to 550 cm

Accessories

- 11.11.240** Anchor bolt M12 x 106 mm (4 per support post for mounting to a concrete wall, 2 per support post for mounting to base plate)
- 04.18.025** Bow bracket 76 mm (for mounting post to support post 76 mm)
- 04.18.080** Bow bracket ∇ 80 (for mounting post to support post ∇ 80)
- 71.10.030** Tap bolt M10x30
- 82.10.500** Self-locking nut M10



The details:

- A5 version. Control box suitable for 1 - 5 Autolift gates;
- Extension module for max. 5 Autolift gates;
- One further extension module can be added in the A5 version. This means that up to 10 Autolift gates can be operated;
- B15 version. Control box suitable for 1 - 15 Autolift gates;
- A further 2 extension modules can be added in the B15 version. This means that up to 25 Autolift gates can be operated.

The technology:

- The control box for the A5 or B15 requires a 220V supply;
- Each individual Autolift control box must be connected to the A5 or B15 control box with a shielded 8-core cable;
- The A5 or B15 control box creates its own Wi-Fi control network in the barn;
- The Autolift app can be used with Android and IOS, i.e. on most smartphones;
- The A5 or B15 control box can be programmed while the smartphone is within range of the Wi-Fi control network in the barn. The Autolift gates can be operated individually or in groups.

App - operation

The Autolift app enables the gates to be included in a group circuit, which results in simultaneous movement. The user can create the groups and define the cattle's movement himself. It is also possible to have the gates operate at specified times.

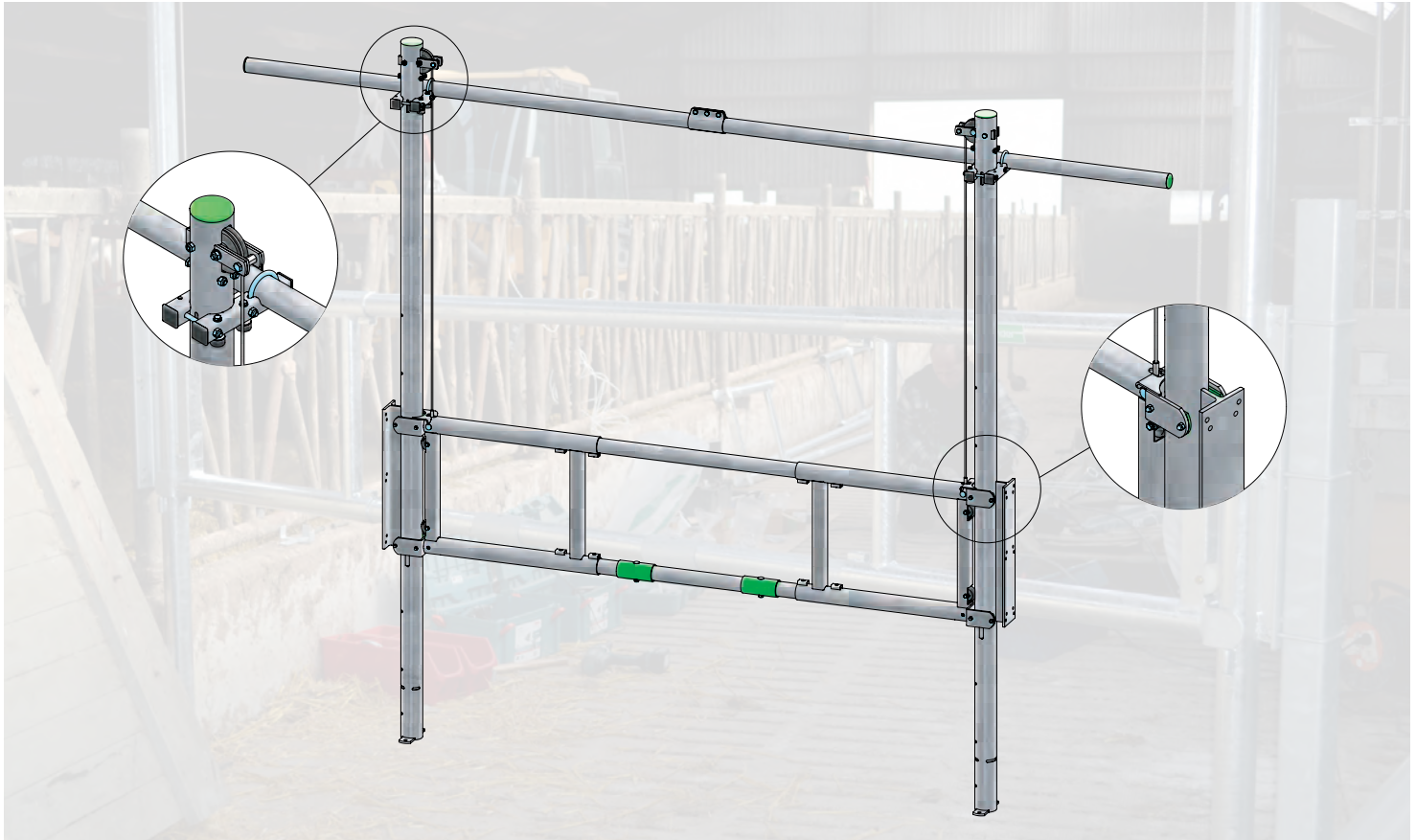
Please note:

- Not included: various cables (electrical connection for each gate, connection between the gates and the control box);
- Also not included: smartphone. The smartphone that is to be used must have a standard version of Android or IOS.

- 31.24.010** Control box A5 (for 1 - 5 Autolift gates)
- 31.24.020** Control box B15 (for 1 - 15 Autolift gates)
- 31.24.030** Extension module for max. 5 Autolift gates

Accessories

- 61.06.073** Shielded 8-core cable (LiYCY-p 4x2x0.5mm2)



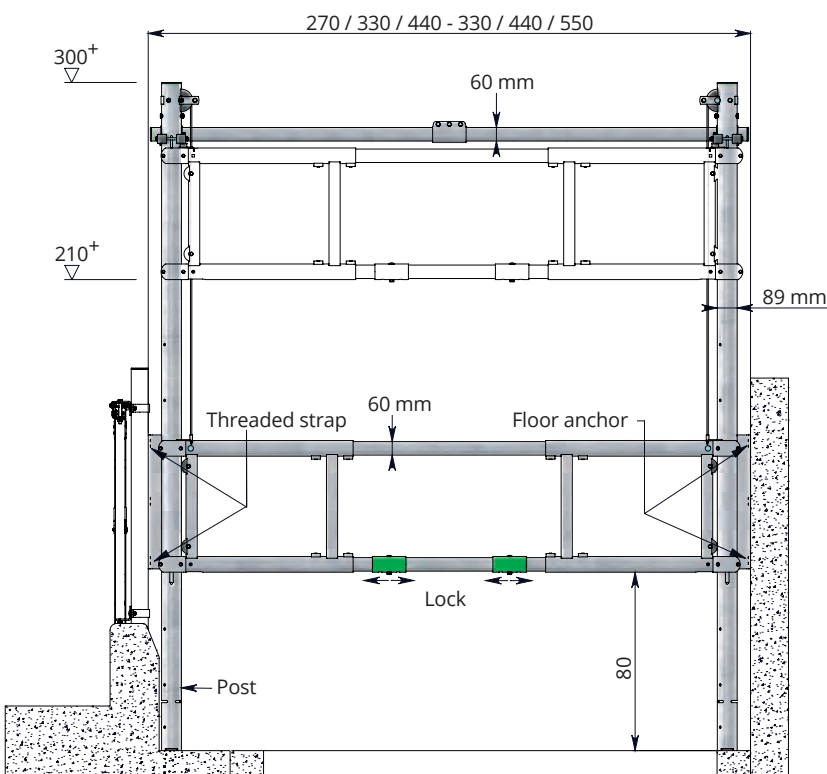
Draw gate - heavy duty: Lift

The heavy duty draw gate is of a very robust construction, suitable for passages from 270 cm to as much as 550 cm wide. Light and quick to move because of the practical locking mechanism and the counterweight hidden in the support posts. The minimum required building height for this fence is 300 cm. The 'open' position gives 210 cm of free space below the fence. Heavy duty draw gates **with a larger free passage** are available on request. The overall length of the draw gate is adjustable between the indicated dimensions.

For a stable and durable arrangement, the support posts of the draw gate are to be mounted to a concrete wall or to columns of the building construction. If this is impossible, extra 76 mm or ∇ 80 support posts should be ordered and installed. In addition, we recommend that the 60 mm connection tube of the draw-up gate is connected to the building construction.

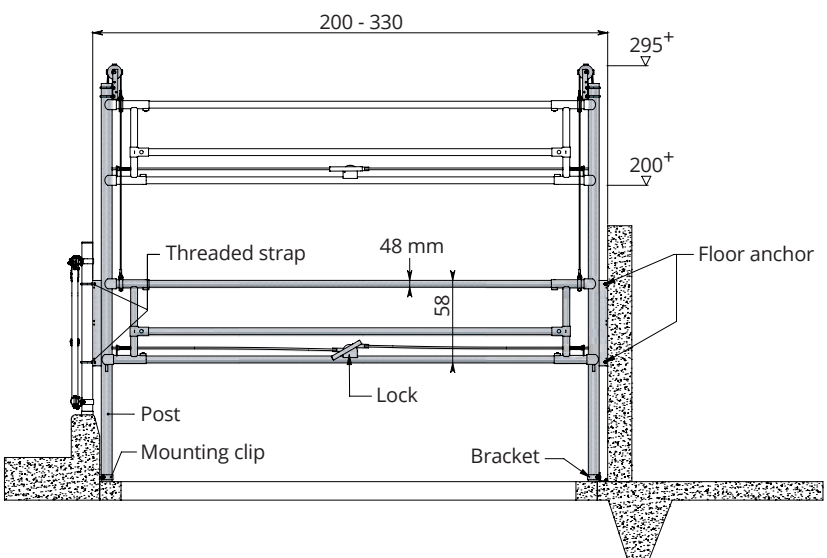
Specification:

- Support posts 89 mm;
- Partition barrier, beams 60 mm;
- Side guide with plastic rollers and guide strips;
- Fitted with buffer blocks at the limiters' upper position;
- Locking technology bottom position (closed position) completely concealed in the lower beam.



03.24.600	Total length 270-330 cm
03.24.700	330-440 cm
03.24.800	440-550 cm

04.57.250	Fittings Threaded strap 76 x 105 mm (3 pcs. per post)
04.80.110	Threaded strap ∇ 80 x 110 mm (3 pcs. per post)
11.11.240	Floor M12 x 106 mm (3 pcs. per post for mounting to a concrete wall, 2 pcs. per post for floor mounting)



Draw gate with contra weights

Draw-up gate - light

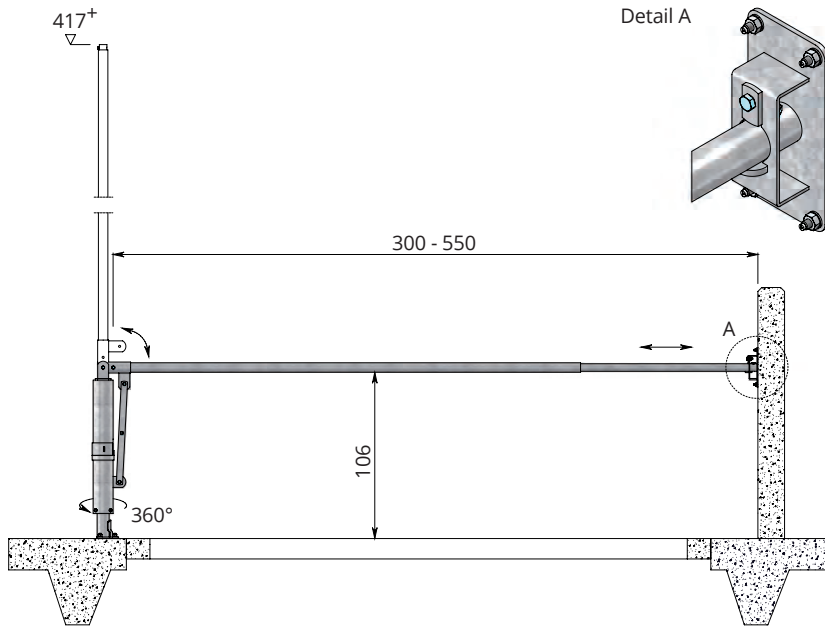
Thanks to its dimensions, this compact draw-up gate is most suitable in situations where there is not enough space for a rotating barrier. Suitable for passages with a width from 200 cm to 330 cm. The minimum required building height for this fence is 295 cm. The 'open' position gives 200 cm of free space below the fence.

Specification:

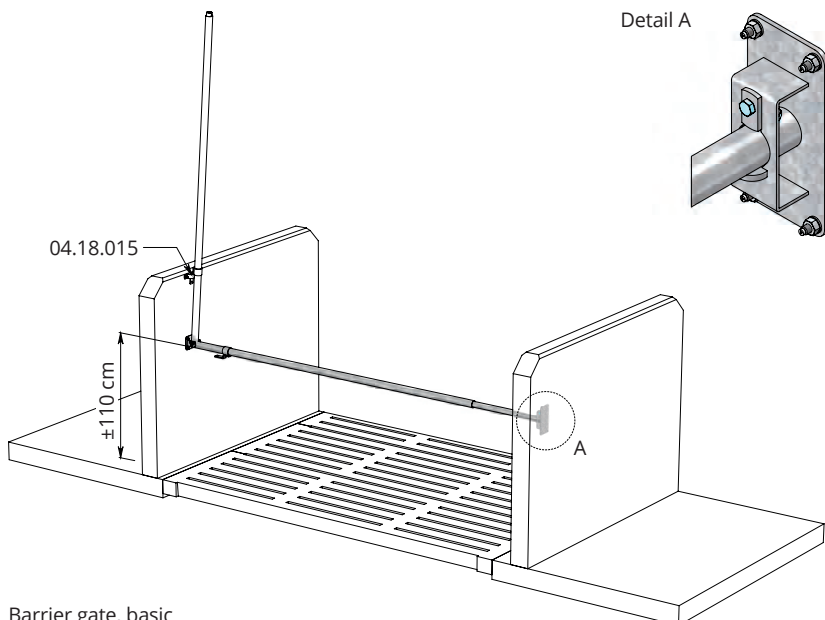
- Support posts 76 mm;
- Partition barrier, beams 48 mm;
- External locking technique.

03.24.200 Total length
200-330 cm

- Fittings**
- 03.24.900** Bracket 76 mm post to floor
 - 11.11.240** Floor anchor M12 x 106
 - 04.18.025** Mounting clip 76 mm
 - 11.11.220** Floor anchor M10 x 86 mm
 - 04.57.250** Threaded strap 76 x 105 mm
 - 04.80.110** Threaded strap 78 x 110 mm



Barrier gate, spring loaded



Barrier gate, basic

Barrier gate, spring loaded

To close quickly and simple large crossovers, for example feeding passages. The barrier gate can rotate 360° around the included floor mounted support post (76 mm x 100 cm). Included also a locking point which can be mounted to the wall or on a support post 76 mm. In combination with several locking points it is easy to move the animals in different directions.

03.23.300 300-550 cm

Fittings

- 03.21.005** Additional locking point
- 04.57.250** Threaded strap 76 x 105 mm (2 per locking point)
- 10.26.130** Floor-mounted support post 76 mm x 130 cm

Barrier gate, basic

To close quickly (smaller) crossovers during movement of groups of cows. Standard hinge point and a locking point is included for mounting to a wall or on a support post 76 mm.

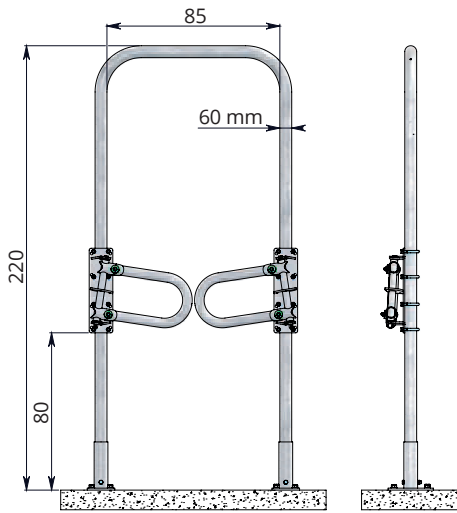
03.21.200 200-400 cm

Fittings for mounting to support post

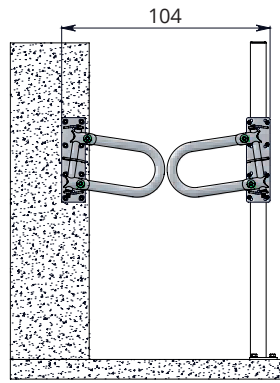
- 10.26.160** Floor-mounted support post 76 mm x 160 cm
- 04.57.250** Threaded strap 76 x 105 mm (4 per barrier gate)

Fittings for mounting to wall

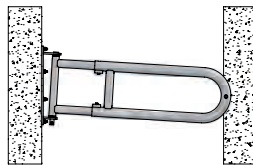
- 04.18.015** Mounting clip 48 mm
- 11.11.210** Floor anchor M10 x 71 mm (10 per barrier gate)



One-way gate with Texas doors

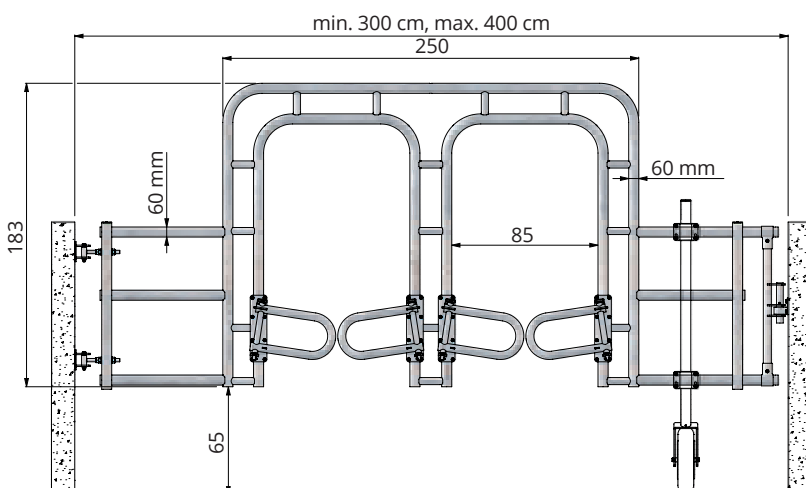
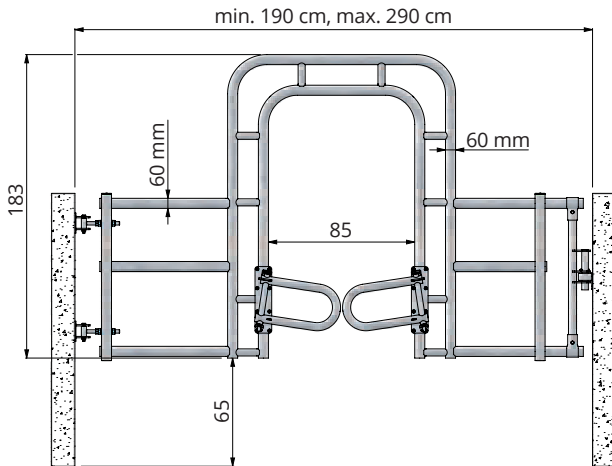


Pair of Texas doors



Self-closing gate

<p>03.19.500</p> <p>11.11.250</p> <p>11.10.300</p>	<p>Texas gate</p> <p>A Texas gate can be used for easily closing the separation passage or the exit of the milking robot. A Texas gate consists of a set of Texas doors, mounted to a robust 60 mm gate. This 60 mm gate is mounted at the bottom using two mounting feet, made of thick-walled 70 mm pipes onto a heavy base plate. The Texas gate can be placed onto both a concrete floor and a slatted floor.</p> <p>One-way gate with Texas doors</p> <p>Fittings</p> <p>Floor anchor M16 x 120 mm (4 per gate)</p> <p>T-bolt M16 x 280 mm with nut</p>
<p>03.19.400</p>	<p>Pair of Texas doors</p> <p>Pair of Texas doors</p>
<p>03.19.300</p> <p>03.19.350</p>	<p>Self-closing gate</p> <p>To be installed in the return lane of the parlour. Because of its inclined position the gate closes automatically.</p> <p>adjustable self-closing gate, 75-110 cm</p> <p>adjustable self-closing gate, 110-145 cm</p>



Pasture gate one-way gate

It may be necessary to work with one-way gates in a wider passage, allowing the passage to be cleared (e.g. pasture gates in this situation). Depending on the passage width and the amount of cow traffic, a single or double version can be selected.

The details:

- Standard fitted with the required Texas gates;
- Standard fitted with adjustable pivoting point;
- Standard fitted with universal locking point;
- Free passage (for manure robot): 65 cm.

The technology:

- Made from 60 mm tube;
- Fence height of side pieces: 95 cm;
- Single one-way gate, suitable for alley widths from 190 to 290 cm. Available on request, at an extra charge, with an alley width of up to 400 cm;
- Double one-way gate, suitable for alley widths from 300 to 400 cm;
- The width adjustment is carried through in the side pieces. The passage section is of a fixed size;
- Fence must be firmly attached to a concrete wall or post;
- Pasture one-way gates longer than 300 cm must be fitted with a support wheel (02.90.990) or a brace set (03.91.300).

Please note:

- Add various mounting materials, such as anchor bolts and, if necessary, support posts, etc.;
- Check the height of the concrete wall where the pivoting point is to be attached (at least 160 cm).

03.19.600

Pasture gate single, suitable for width from 190 to 290 cm **

03.19.700

Pasture gate double, suitable for width from 300 to 400 cm **

** Please specify the exact width when ordering

Accessories for one-way gates 300 - 400 cm

02.90.990

Castor wheel to partition barrier

03.91.300

Angle brace set

Accessories for angle brace set

11.11.220

Anchor bolt M10 x 86 mm (2 pc) for mounting to concrete walls.

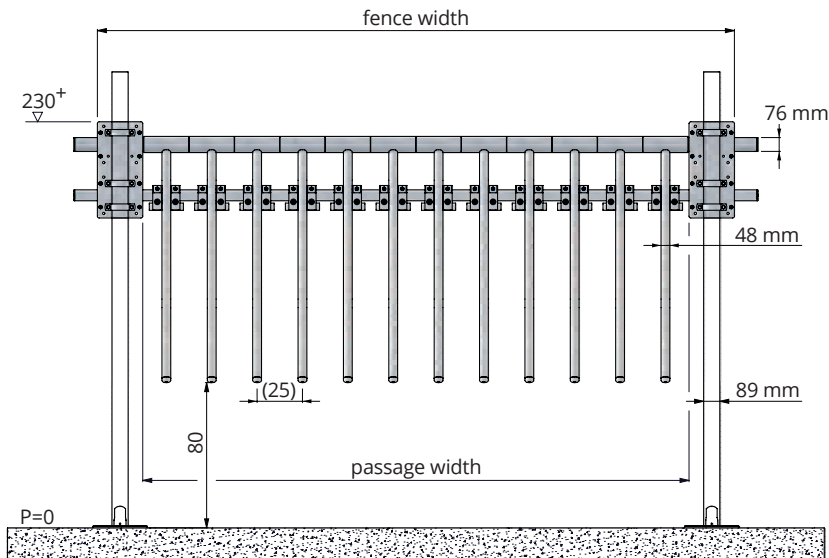
71.10.040

Hexagonal tap bolt M10 x 40 (2 pc) for mounting to HE or I posts.

82.10.500

Self-locking nylon nut M10 (2 pc), to go with hexagonal tap bolt M10 x 40.

Available are fastening materials for mounting the partition barrier and/or angle brace set to other columns (89 mm - Ø200 mm or square columns). Just ask us what we can do for you.



Topgate one-way gate

A Topgate is a one-way gate that comes in various widths. The Topgate can be used to control passageways of up to 5 m wide. The Topgate one-way gate works with vertical bars that can only hinge to one side. A passing cow pushes the bars forward. After the cow has passed, the (noise-muffled) bars fall back into the vertical position.

The details:

- Standard prepared for mounting to support columns or concrete wall;
- The Topgate fence consists of:
 - a number of bars (depending on the width);
 - the same number of forks (fitted with sound-absorbing elements);
 - a 76 mm hinge tube (supplied to length);
 - a square 60 stop bolt (supplied to length);
 - 2 solid mounting plates (for fixing to support posts or concrete wall);
- The Topgate basic is fitted with 4 bars. Passage width 100 cm, total gate width 150 cm;
- Each additional bar increases the passage and gate width by 25 cm.
- Build-in height approx. 230 cm;
- Free passage (for manure robot): 65 cm.

The technology:

- Vertical bars, made of 48 mm tube;
- The bars hinge around a 76 mm tube;
- The bars fall back into a vertical position due to their own weight;
- Dimensions of mounting plate: 530 x 250 x 10 mm.

Please note:

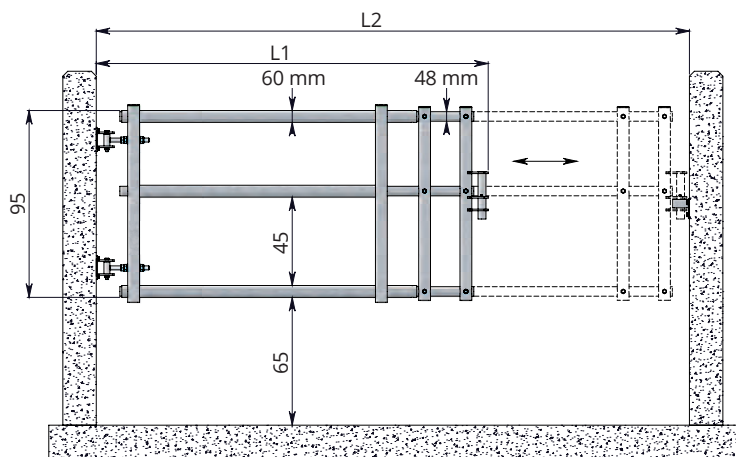
- Included in your order is a Topgate basic plus the required number of extra bars;
- After ordering, you will receive conformation in the form of a drawing with the exact dimensions for you to check;
- Add the required extra mounting materials, such as bolts and nuts, anchor bolts, bow brackets, mounting plates, support posts, etc.

- 03.20.600 Topgate basic (4 bars - passage width 100 cm)
- 03.20.650 Extra bar for Topgate one-way gate (25 cm);

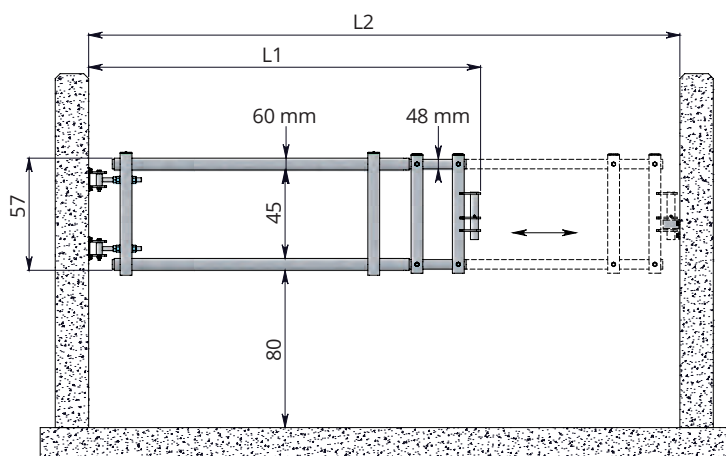
Accessories

- 03.20.670 Support post 89 mm with large base plate, 250 cm long, incl. bow brackets 89 mm (3 pc).
- 11.11.250 Floor anchor M16 x 120 mm (4 bolts for each support post)
- 11.10.300 T-bolt M16 (4 for each support post)
- 10.26.910 Rubber protective plate (on support post base plate)
- 03.90.350 Universal mounting plate (for mounting Topgate to concrete wall)
- 11.11.240 Floor anchor M12 x 106 mm

Topgate basic plus... bars	Passage width (cm)	Total fence width (cm)
0	100	150
1	125	175
2	150	200
3	175	225
4	200	250
5	225	275
6	250	300
7	275	325
8	300	350
9	325	375
10	350	400
11	375	425
12	400	450
13	425	475
14	450	500



Telescopic gate with 3 horizontal bars



Telescopic gate with 2 horizontal bars

Telescopic cow traffic gate with 3 horizontal bars

Ideal for making crossings over the feeding passage, closing waiting areas, or as intermediate barriers in spacious straw-bedded pens. The optional anti-puncture support wheel (wheelbarrow wheel) runs smoothly, both on a flat concrete floor and on slatted floors. You cannot use a castor wheel in straw-bedded pens or if fixed manure scrapers have been installed. Fit an angle brace instead.

With 45 cm of free space between both lower horizontal bars there is enough width to allow you step quickly through the gate.

Telescopic cow traffic gate with 2 horizontal bars

Enough clearance (80 cm) under the gate for a manure robot passing through. With a gate height of 57 cm, you can even install it over a drinking water reservoir.

Technical data:

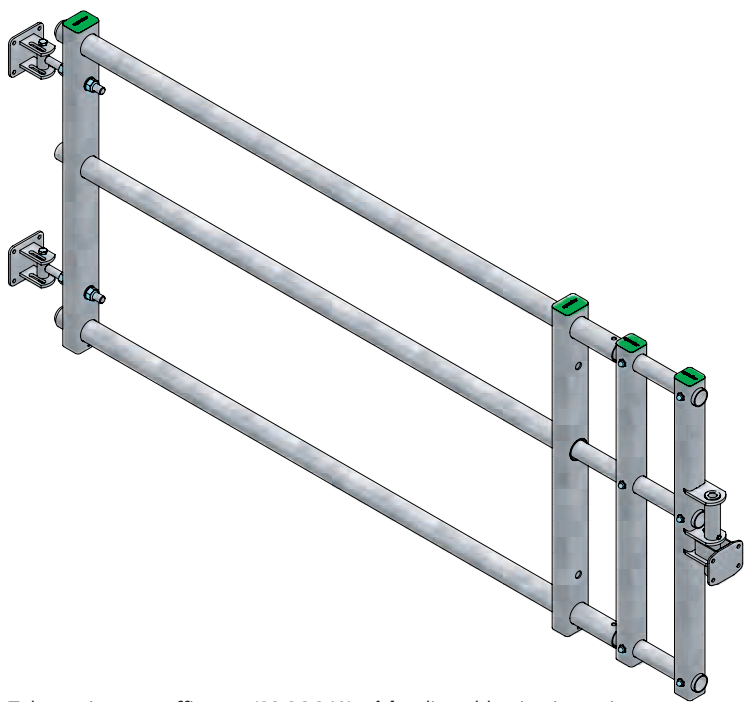
- Welded fixed frame, made of 60 mm horizontal bars and vertical tubes 80 x 60 x 4 mm.
- Bolted extension frame, made of 48 mm horizontal bars and 2 vertical tubes 60 x 60 x 4 mm of which one tube is fitted with the unique Spinder universal locking point. The locking point is suitable for mounting to a wall/post/support post/column.
- Heavy-duty adjustable pivoting points M20 to the fixed frame. The pivoting points are suitable for mounting to a wall/post/support post/column.
- Exclusive of anchor bolts, threaded straps, bolts and nuts, etc. for mounting to wall/support post/post/column. These must be ordered separately with the order. The most common fastening materials are listed under accessories.
- **The telescopic gate with a range of 400-600 cm (03.26.360) must be fitted with a castor wheel (02.90.990) or an angle brace set (03.91.300). The shorter telescopic gates can be fitted with these accessories for extra stability and/or ease of working.**

Type		height	shortest L1	longest L2	reach
03.26.360	3-bar	95 cm	400 cm	600 cm	200 cm
03.26.350	3-bar	95 cm	300 cm	500 cm	200 cm
03.26.340	3-bar	95 cm	250 cm	400 cm	150 cm
03.26.330	3-bar	95 cm	200 cm	300 cm	100 cm
03.26.320	3-bar	95 cm	135 cm	200 cm	65 cm
03.26.310	3-bar	95 cm	95 cm	135 cm	40 cm
03.26.250	2-bar	57 cm	300 cm	500 cm	200 cm
03.26.240	2-bar	57 cm	250 cm	400 cm	150 cm
03.26.230	2-bar	57 cm	200 cm	300 cm	100 cm
03.26.220	2-bar	57 cm	135 cm	200 cm	65 cm
03.26.210	2-bar	57 cm	95 cm	135 cm	40 cm

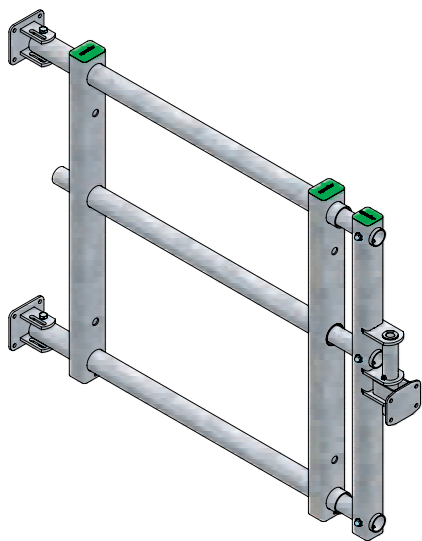
Total length

- 03.26.360** Slider 3 bar telescopic gates 400-600 cm
- 03.26.350** Slider 3 bar telescopic gates 300-500 cm
- 03.26.340** Slider 3 bar telescopic gates 250-400 cm
- 03.26.330** Slider 3 bar telescopic gates 200-300 cm
- 03.26.320** Slider 3 bar telescopic gates 135-200 cm*
- 03.26.310** Slider 3 bar telescopic gates 95-135 cm*
- 03.26.250** Slider 2 bar telescopic gates 300-500 cm
- 03.26.240** Slider 2 bar telescopic gates 250-400 cm
- 03.26.230** Slider 2 bar telescopic gates 200-300 cm
- 03.26.220** Slider 2 bar telescopic gates 135-200 cm*
- 03.26.210** Slider 2 bar telescopic gates 95-135 cm*

* The short Slider telescopic partition barrier are supplied without adjustable pivot point



Telescopic cow traffic gate (03.26.340) **with** adjustable pivoting point

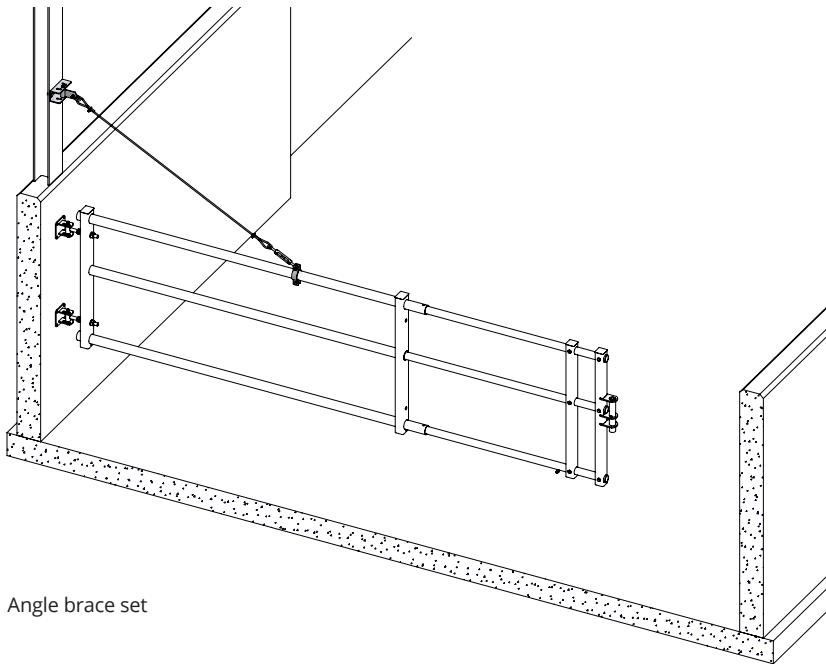


Telescopic cow traffic gate (03.26.320) **without** adjustable pivoting point

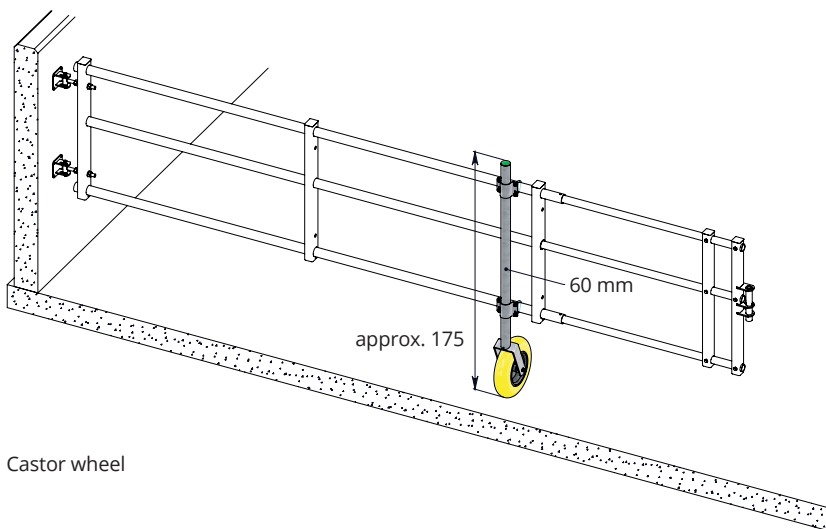
- Accessories for telescopic partition barriers**
- 03.26.050** Adjustable pivoting point
 - 02.90.990** Castor wheel for partition barrier
 - 03.91.300** Angle brace set
- Accessories for adjustable pivoting point**
- 04.80.110** Threaded strap vk80 x 110 mm (6 pc) for mounting to support post 78
 - 04.57.250** Threaded strap 76 mm x 105 mm (6 pc) for mounting to support post 76 mm
- Accessories for angle brace set**
- 11.11.220** Anchor bolt M10 x 86 mm (2 pc) for mounting to concrete walls
 - 71.10.040** Hexagonal tap bolt M10 x 40 (2 pc) for mounting to HE or I posts
 - 82.10.500** Self-locking nylon nut M10 (2 pc), to go with hexagonal tap bolt M10 x 40

* The telescopic partition barrier with a range of 400-600 cm (03.26.360) must be fitted with a castor wheel (02.90.990) or an angle brace set (03.91.300). The shorter telescopic partition barriers can be fitted with these accessories for extra stability and/or ease of working.

Type of barrier		Adjustable pivoting point	Castor wheel or angle brace set	
03.26.360	Slider with 3 bars 400-600 cm*	Standard	Option*	Option*
03.26.350	Slider with 3 bars 300-500 cm	Standard	Option	Option
03.26.340	Slider with 3 bars 250-400 cm	Standard	Option	Option
03.26.330	Slider with 3 bars 200-300 cm	Standard	-	-
03.26.320	Slider with 3 bars 135-200 cm	Option	-	-
03.26.310	Slider with 3 bars 95-135 cm	Option	-	-
03.26.250	Slider with 2 bars 300-500 cm	Standard	Option	Option
03.26.240	Slider with 2 bars 250-400 cm	Standard	Option	Option
03.26.230	Slider with 2 bars 200-300 cm	Standard	-	-
03.26.220	Slider with 2 bars 135-200 cm	Option	-	-
03.26.210	Slider with 2 bars 95-135 cm	Option	-	-



Angle brace set



Castor wheel



• Telescopic gate. Mounted on the wall above a water trough



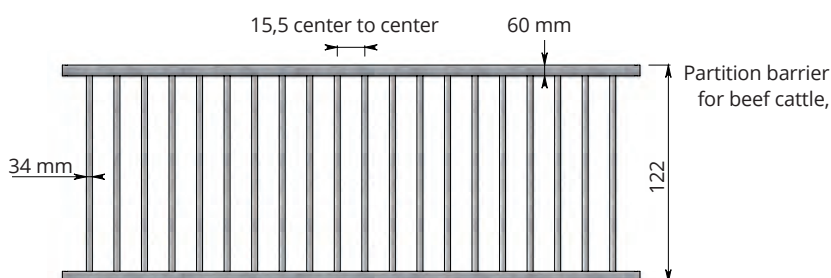
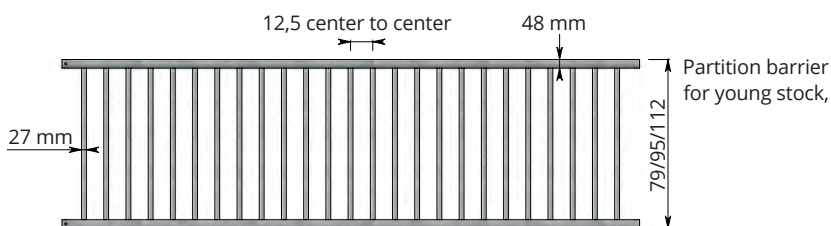
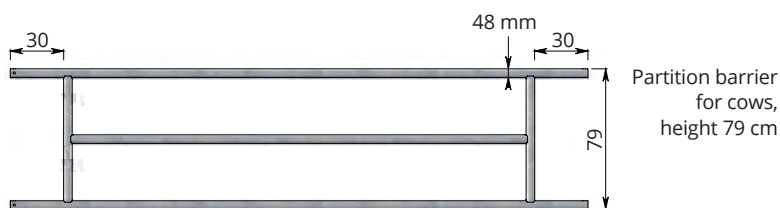
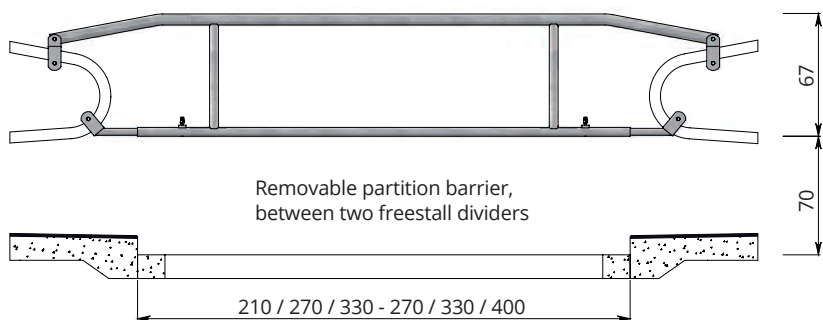
• Crossing over the feeding passage by means of two telescopic gates, with optional wheel set.



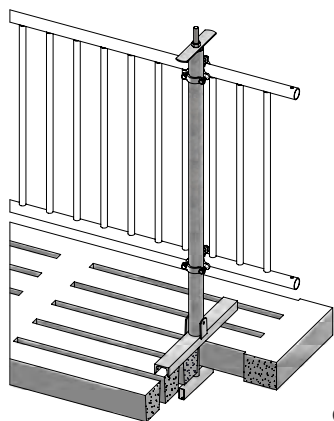
• Crossing of feeding passage closed:
The (optional) castor wheel is mounted on the inside.

Fittings for telescopic gates	
11.11.220	Anchor bolt M10 x 86 mm, hot dip galv., for fitting to concrete walls (12 per gate)
71.10.040	Hexagonal-head tap bolt M10 x 40 galv., for fitting on a HE- or I- Profile (12 per gate)
82.10.500	Self-locking nylon nut M10 galv., belonging to hexagon tap bolt M10 (12 per gate)
04.80.110	Threaded strap 78 x 110 mm, incl. nut, for fitting to support post 78 mm (6 per gate)
04.57.250	Threaded strap 76 x 105 mm, incl. nut, for fitting to support post 76 mm (6 per gate)
Accessories for telescopic gates 400 - 600 cm	
02.90.990	Castor wheel for telescopic gate, including 2 strap clamps for mounting to 48/60 mm.
03.91.300	Angle brace set for gate, 48 and 60 mm.
Fittings for angle brace set	
11.11.220	Anchor bolt M10 x 86 mm, hot dip galv., for fitting to concrete walls (2 per brace set)
71.10.040	Hexagonal tap bolt M10 x 40 galv.; for fitting on a HE- or I- Profile (2 per brace set)
82.10.500	Self-locking nylon nut M10, belonging to hexagon tap bolt M10 (2 per brace set)

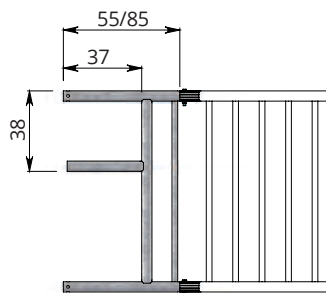
Fitting materials for connection of the gates and/or angle brace set to other columns (76mm - Ø200 mm or square columns) are available. Enquire about the possibilities.



<p>03.18.120 210 - 270 cm 03.18.150 270 - 330 cm 03.18.180 330 - 400 cm</p>	<p>Removable partition barrier between two freestall dividers</p> <p>Ideal for adaptable grouping. Easy to move. Can be used in alleys from 210 cm till 400 cm wide.</p>	
	<p>03.14.200 Length 215 cm 03.14.300 270 cm 03.14.400 325 cm 03.14.500 350 cm</p>	<p>Partition barrier for cows, height 53 cm</p> <p>Partition barrier to fence off the holding area. Can be shortened on one side by approx. 50 cm</p>
	<p>03.15.200 Length 215 cm 03.15.300 270 cm 03.15.400 325 cm 03.15.500 350 cm 03.15.600 400 cm</p>	<p>Partition barrier for cows, height 79 cm</p>
<p>03.12.200 Partition barrier young stock H= 79 L=215 cm 03.12.300 Partition barrier young stock H= 79 L=270 cm 03.12.350 Partition barrier young stock H= 79 L=300 cm 03.12.400 Partition barrier young stock H= 79 L=325 cm 03.12.500 Partition barrier young stock H= 79 L=350 cm 03.12.600 Partition barrier young stock H= 79 L=400 cm</p> <p>03.11.200 Partition barrier young stock H= 95 L=215 cm 03.11.300 Partition barrier young stock H= 95 L=270 cm 03.11.350 Partition barrier young stock H= 95 L=300 cm 03.11.400 Partition barrier young stock H= 95 L=325 cm 03.11.500 Partition barrier young stock H= 95 L=350 cm 03.11.600 Partition barrier young stock H= 95 L=400 cm</p> <p>03.13.200 Partition barrier young stock H= 112 L=215 cm 03.13.300 Partition barrier young stock H= 112 L=270 cm 03.13.350 Partition barrier young stock H= 112 L=300 cm 03.13.400 Partition barrier young stock H= 112 L=325 cm 03.13.500 Partition barrier young stock H= 112 L=350 cm 03.13.600 Partition barrier young stock H= 112 L=400 cm</p>	<p>Partition barrier for young stock</p>	
<p>03.31.300 Partition barrier beef cattle H= 122 L=270 cm 03.31.350 Partition barrier beef cattle H= 122 L=300 cm 03.31.400 Partition barrier beef cattle H= 122 L=325 cm 03.31.500 Partition barrier beef cattle H= 122 L=350 cm 03.31.600 Partition barrier beef cattle H= 122 L=400 cm</p>	<p>Partition barrier for beef cattle</p>	

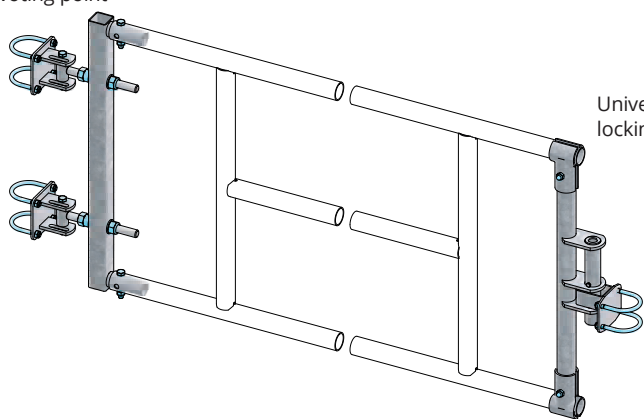


Grid post

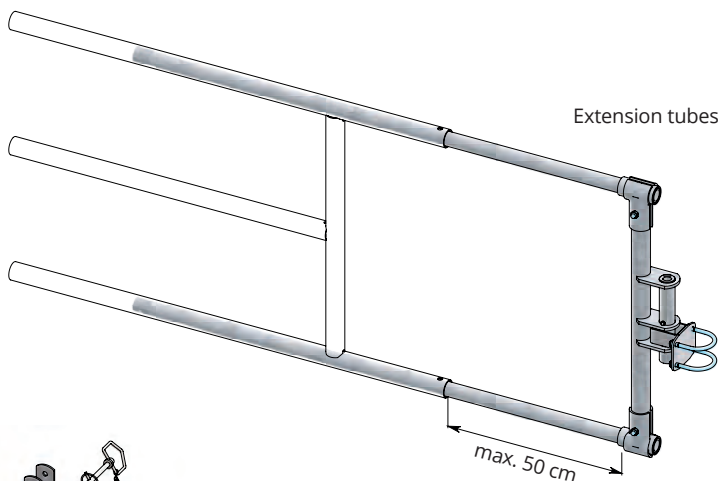


Component for drinking bowl
befitting
partition barriers

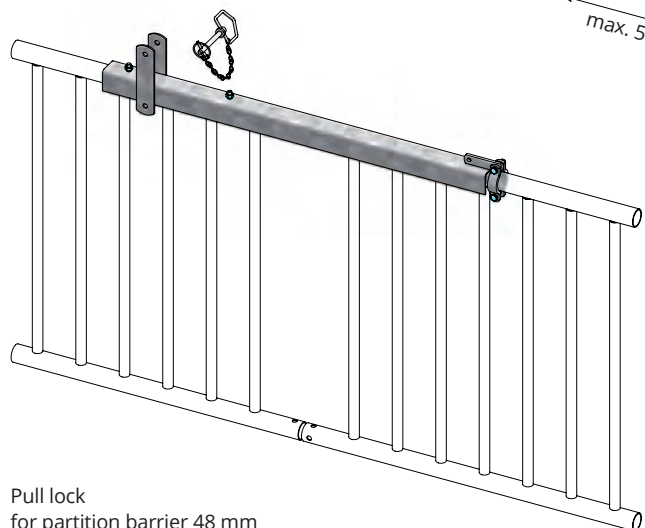
Adjustable
pivoting point



Universal
locking point

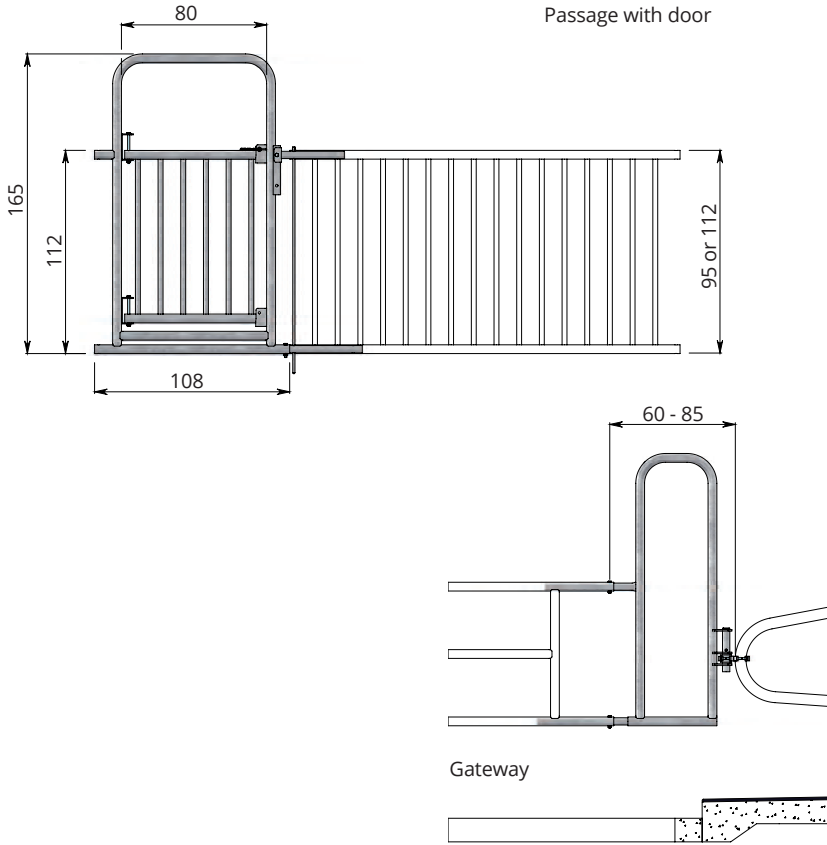


Extension tubes

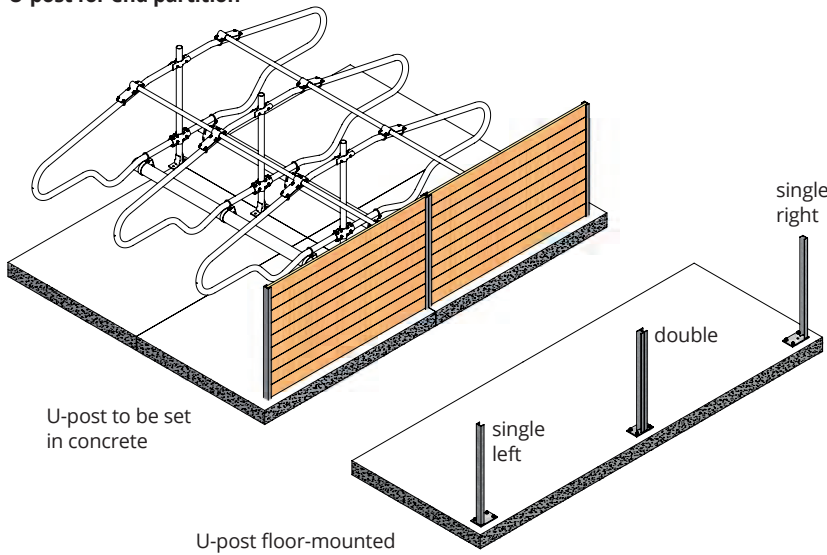


Pull lock
for partition barrier 48 mm

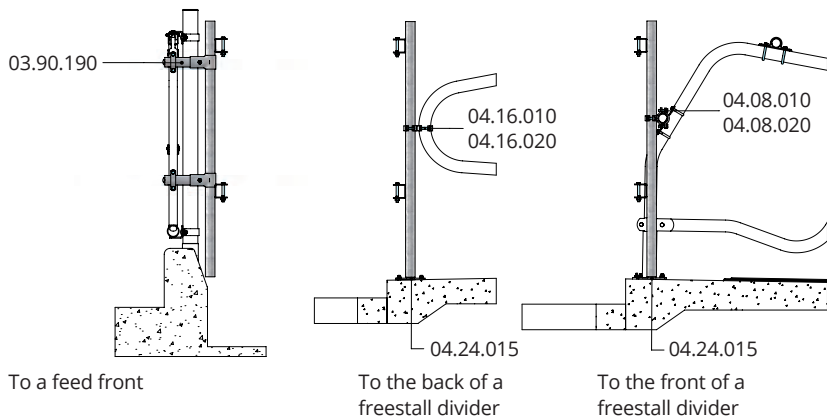
<p>03.90.500 04.08.020 03.90.300 03.90.310</p>	<p>Grid post 60 mm x 140 cm Post with spindle, to be clamped to the concrete grid floor. With two grid posts the various partition barriers can be placed removable onto the grid floor. The barriers can be mounted to the grid posts with cross clamps 48 x 60 mm. It is also possible to make a partition barrier to your own specification by using 48 mm horizontal bars.</p> <p>Grid post 60 mm x 140 cm Cross clamp 48 x 60 mm</p> <p>Set of wall fasteners 60 mm x 180° Set of wall fasteners 60 mm x 90°</p>
<p>03.11.900 03.11.950 03.13.900 03.13.950 03.31.900</p>	<p>Component for drinking bowl For partition barrier 03.11, length 55 cm For partition barrier 03.11, length 85 cm</p> <p>For partition barrier 03.13, length 55 cm For partition barrier 03.13, length 85 cm</p> <p>For partition barrier 03.31, length 55 cm</p>
<p>03.90.250 03.90.255 03.90.260 03.90.270</p>	<p>Adjustable pivoting point An easy solution to mount a partition barrier in a horizontal position. To be mounted to support post 76 mm, threaded straps included.</p> <p>Barrier height 79 cm 95 cm 112 cm 122 cm</p>
<p>03.90.450 03.90.460 03.90.465 03.90.470 03.90.480</p>	<p>Universal locking point Sturdy lock, specially for hinged partitions that are often operated. To be mounted to support post 76 mm, threaded straps included.</p> <p>Barrier height 53 cm 79 cm 95 cm 112 cm 122 cm</p>
<p>03.91.400 03.90.450 03.90.460</p>	<p>Extension tubes An easy way to elongate a standard barrier gate for cows (item numbers 03.14 and 03.15) up to 0.50 meter. A pair of extension tubes and the universal locking point will form the telescopic part of the barrier gate.</p> <p>Pair of extension tubes R38 mm, L=150 cm</p> <p>Universal locking point, barrier height 53 cm Universal locking point, barrier height 79 cm</p>
<p>03.91.100 03.91.100</p>	<p>Pull lock for partition barriers For partition barriers, placed in line For partition barriers, placed overlapped</p>



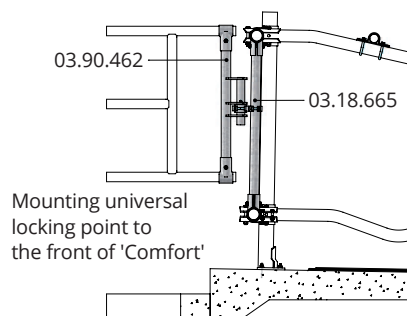
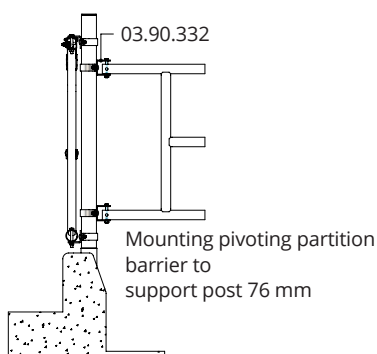
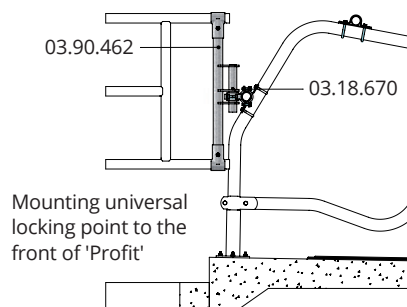
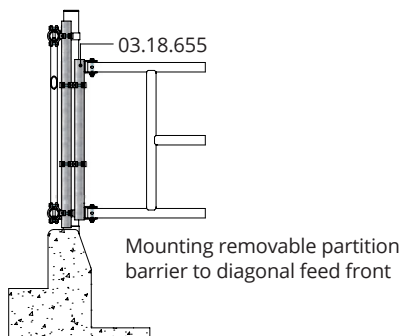
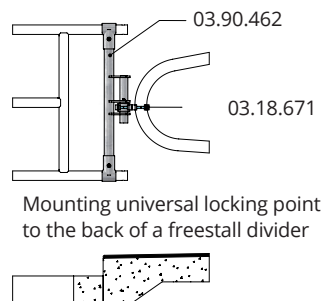
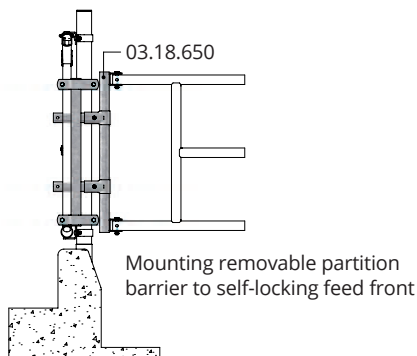
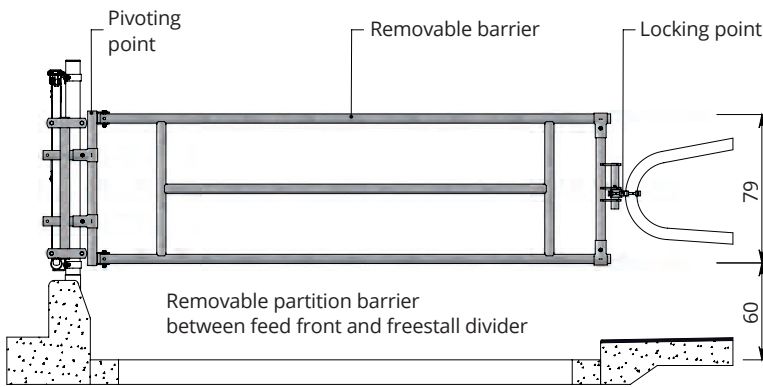
U-post for end partition



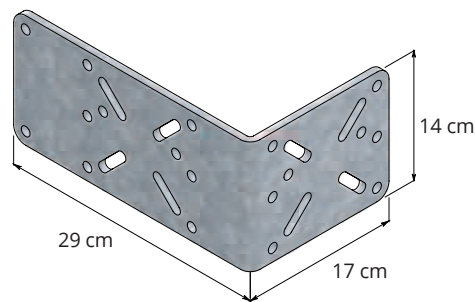
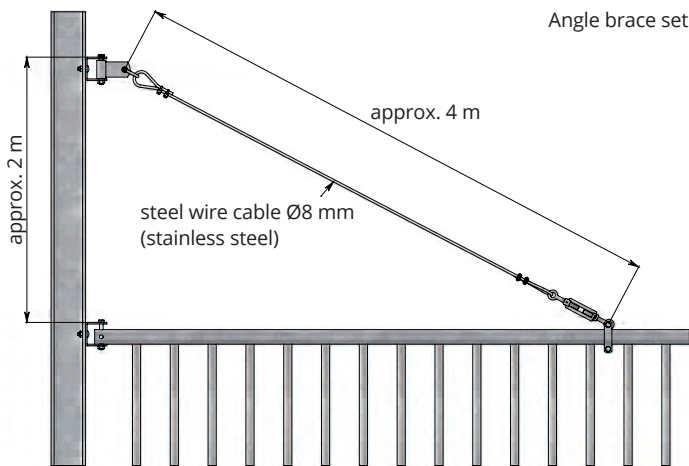
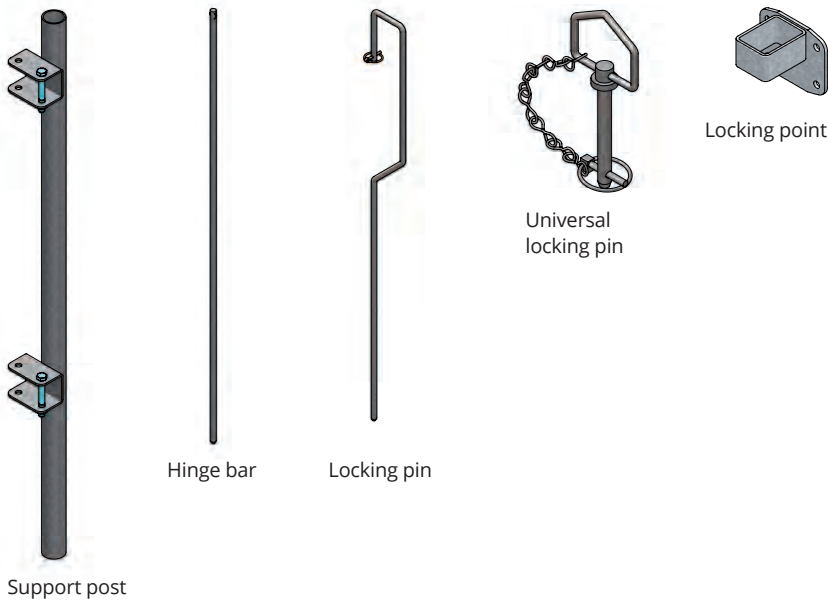
Mounting with support posts



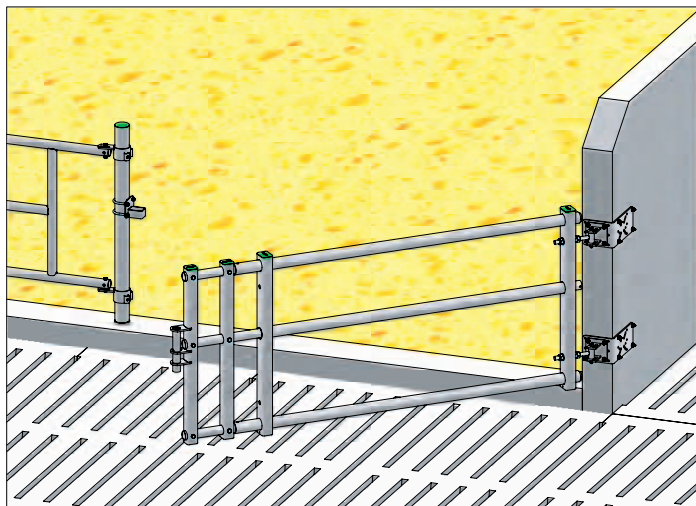
03.18.500	Passage for partition barrier
	Ideal passageway; fits easily to standard partition barriers. Passage with door for partition barrier with height 95 or 112 cm
03.18.600	Gateway
	Made to step easily through a partition barrier, height 79 cm (model 03.15). Standard provided with our universal locking point. This gateway has a width of 35 cm and is 130 cm high. By installing a gateway to a partition barrier the length of the barrier will be increased by 60cm minimum to 85 cm maximum. Gateway
11.26.165 11.26.265 11.27.120 11.27.220 11.27.320	U-post
	U-posts, length 150 cm, for building a wooden partition with a thickness of 4.5 to 5 cm at the end of a row of stalls. Especially recommended when a drinking trough is placed at the end of the row. Please observe that the posts cannot be placed too close to the edge of the concrete. If, however, they are close to the edge, extra steel reinforcements should be welded on.
	U-post to be set in concrete, length 150 cm single double
	U-post floor-mounted, length 120 cm single left single right double
03.90.110 03.90.100 03.90.130 03.90.120	Mounting removable partition barrier with support posts
	Support posts for partition barrier height: 53 cm 79 cm 95 cm 112 cm
03.90.190	Mounting to feed front
	Assembly part support post / feed front
04.16.010 04.16.020 04.24.015 11.11.220	Mounting to the back of freestall divider
	Three-part parallel clamp 48 x 48 mm Three-part parallel clamp 48 x 60 mm End coupling 48 mm Floor anchor M10 x 86 mm (2 per endcoupling)
04.08.010 04.08.020 04.24.015 11.11.220	Mounting to the front of freestall divider
	Cross clamp 48 x 48 mm Cross clamp 48 x 60 mm End coupling 48 mm Floor anchor M10 x 86 mm (2 per endcoupling)



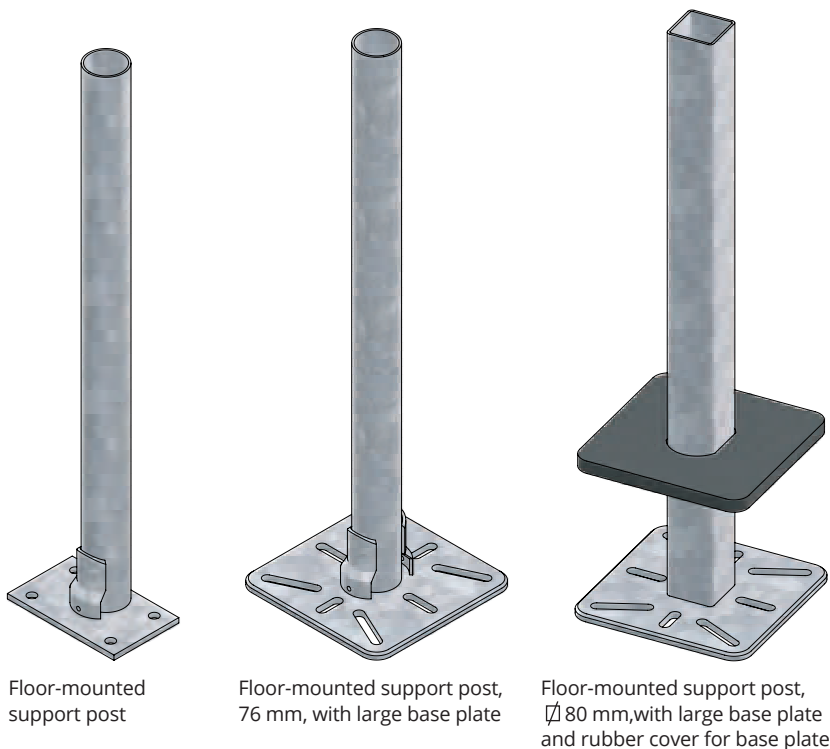
	<p>Removable partition barrier between feed front and freestall divider</p> <p>The base element for this partition barrier is the partition barrier for cows model 03.15. By making this barrier pivoting - pivoting point on the feed front - regrouping of the animals can be easily done. We advise to use our universal locking point on the freestall divider. For more convenience a gateway can be installed.</p>
<p>03.18.650</p> <p>03.18.850</p>	<p>Mounting removable partition barrier to self-locking feed front and safety feed front</p> <p>Pivoting point, complete, mounted to self-locking feed front (model 24.61, 24.62, 24.63 and 24.66) and safety feed front (model 22.70 and 22.72)</p> <p>Pivoting point, complete, mounted to safety feed front (model 24.70 and 24.72)</p>
<p>03.90.462</p> <p>03.18.671</p>	<p>Universal locking point to the back of freestall dividers</p> <p>Universal locking point for barrier height 79 cm Fastener for vertical tubing 48 mm or 60 mm</p>
<p>03.18.655</p>	<p>Mounting removable partition barrier to diagonal feed front</p> <p>Pivoting point, complete, mounted to diagonal feed front</p>
<p>03.90.462</p> <p>03.18.670</p>	<p>Universal locking point to the front of 'Profit'</p> <p>Universal locking point for barrier height 79 cm Fastener for horizontal tubing 48 mm or 60 mm</p>
<p>03.90.332</p>	<p>Mounting pivoting partition barrier to support post 76 mm</p> <p>Set of universal fasteners, to 76 mm support post</p>
<p>03.90.462</p> <p>03.18.665</p>	<p>Universal locking point to the front of 'Comfort'</p> <p>Universal locking point for barrier height 79 cm Fastener for front Comfort freestall divider</p>



Universal mounting plate



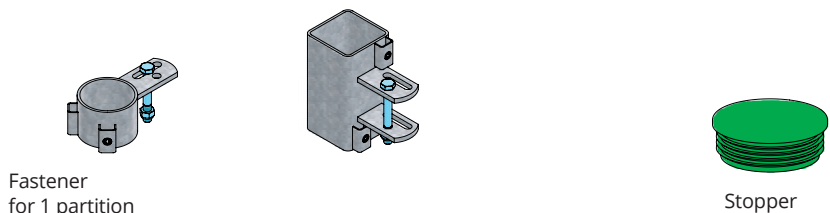
<p>03.90.110 03.90.100 03.90.130 03.90.120</p>	<p>Support post</p> <p>All-purpose support post to connect partition barriers to different barn equipment with use of our standard clamps.</p> <p>Support post for partition barrier</p> <p>Height</p> <p>53 cm 79 cm 95 cm 112 cm</p>
	<p>02.90.010 02.90.015</p> <p>Hinge bar</p> <p>For mounting parts that are used as pin joint.</p> <p>Hinge bar 100 cm Hinge bar 125 cm</p>
	<p>03.90.400 03.90.410</p> <p>Locking pin</p> <p>To be used for locking points.</p> <p>Locking pin 100 cm Locking pin 125 cm</p>
	<p>03.90.440</p> <p>Universal locking pin</p> <p>Can be used as alternative for locking pin (2 per gate)</p>
<p>03.90.452</p> <p>Locking point</p>	
<p>03.91.300</p>	<p>Angle brace set</p> <p>Angle brace set for barrier gates, including third pivot point, steel wire cable and turnbuckle</p> <p>Angle brace set for barrier gates, made of tubes 48 mm or 60 mm</p>
<p>03.90.350</p>	<p>Universal mounting plate</p> <p>Mounting of barriers at the end panel of an end wall is often difficult concerning the thickness of the concrete wall. Spinder has developed a universal mounting plate which fits on all hinge and locking points. Also suitable for mounting 60 mm tubes on wooden stud.</p> <p>Major characteristics:</p> <ul style="list-style-type: none"> • Suitable for all hinge and locking points; • Suitable for mounting clips 48, 60, 76 mm and threaded straps 48, 60, 76, 80 mm; • It prevents damage on concrete walls; • Solid, because of steel plate of 8 mm thickness; <p>Universal mounting plate</p>



Floor-mounted support post

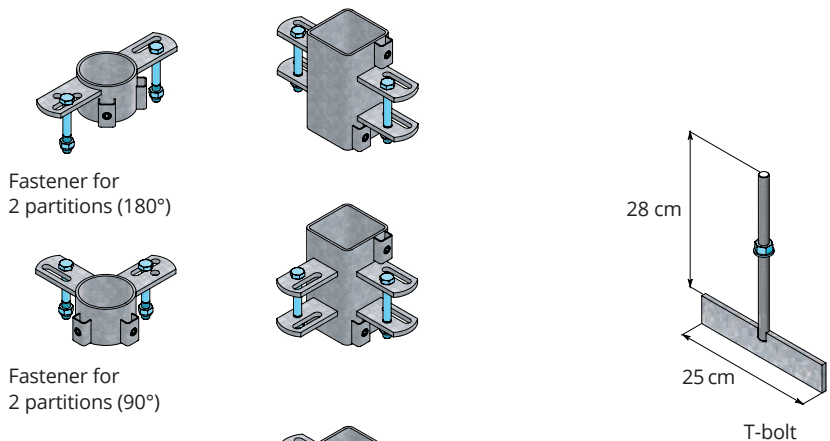
Floor-mounted support post, 76 mm, with large base plate

Floor-mounted support post, \varnothing 80 mm, with large base plate and rubber cover for base plate



Fastener for 1 partition

Stopper



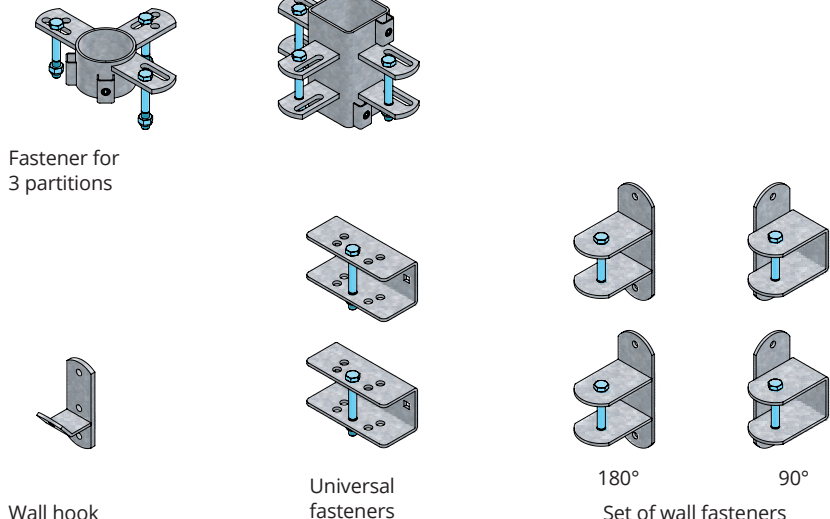
Fastener for 2 partitions (180°)

Fastener for 2 partitions (90°)

28 cm

25 cm

T-bolt



Fastener for 3 partitions

Universal fasteners

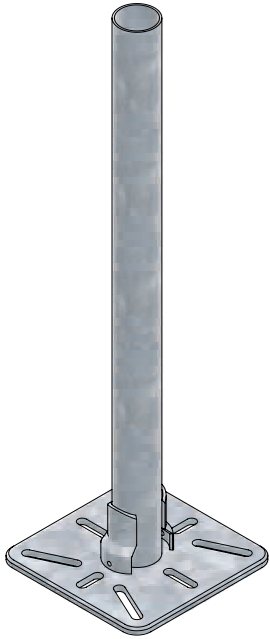
180°

90°

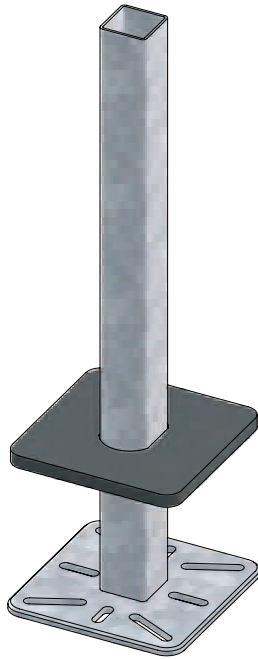
Wall hook

Set of wall fasteners

	Floor-mounted support post
10.21.140	Size 60 mm x 140 cm
10.26.100	76 mm x 100 cm
10.26.120	76 mm x 120 cm
10.26.130	76 mm x 130 cm
10.26.145	76 mm x 145 cm
10.26.160	76 mm x 160 cm
10.26.170	76 mm x 170 cm
10.26.180	76 mm x 180 cm
10.81.160	\varnothing 80 x 160 cm
	Floor-mounted support post with large base plate
10.26.360	Size 76 mm x 160 cm
10.81.360	\varnothing 80 x 160 cm
	Fittings
10.26.910	Rubber cover for base plate
11.10.300	T-bolt
11.10.310	Adapting device, 9 cm, for T-bolt
	Stopper
	Protects the inside of the tubes against moisture and dirt.
	Size
11.06.150	48 mm
11.06.200	60 mm
11.06.250	76 mm
11.06.300	89 mm
11.06.800	\varnothing 80 mm
	T-bolt
11.10.300	T-bolt M16 with nut, for mounting floor-mounted support posts to a grid floor. Can also be used as concrete anchor. Size 28 x 25 cm
	Set of fasteners
	Universal fasteners, for mounting various partitions to 76 mm and \varnothing 80 mm support posts. Suitable for partition barriers and hinged partitions. Supplied in pairs and with bolts.
03.90.610	For 1 partition barrier 76 mm
03.90.620	For 2 partition barriers (180°) 76 mm
03.90.625	For 2 partition barriers (90°) 76 mm
03.90.630	For 3 partition barriers 76 mm
03.90.710	For 1 partition barrier \varnothing 80 mm
03.90.720	For 2 partition barriers (180°) \varnothing 80 mm
03.90.725	For 2 partition barriers (90°) \varnothing 80 mm
03.90.730	For 3 partition barriers \varnothing 80 mm
	Wall hook
03.90.320	For hanging a gate to a wall
	Set of universal fasteners
	Fasteners for universal fastening of partition barriers. Widely applicable. Can also be used as hinge or locking point.
	Possibilities:
	Wall
03.90.330	Support post 60 mm
03.90.331	Support post 76 mm
03.90.332	Support post 89 mm
03.90.333	Support post 89 mm
	Set of wall fasteners
	For mounting partition barrier to a wall. Can be used as hinge or locking point.
03.90.300	Set of wall fasteners 60 mm x 180°
03.90.310	Set of wall fasteners 60 mm x 90°



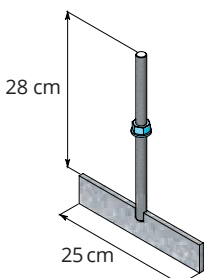
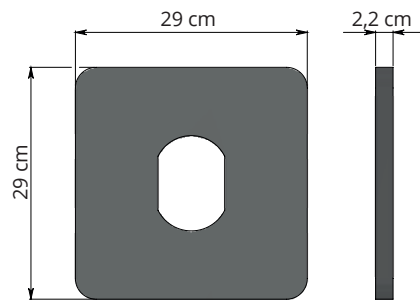
Floor-mounted support post, 76 mm, with large base plate



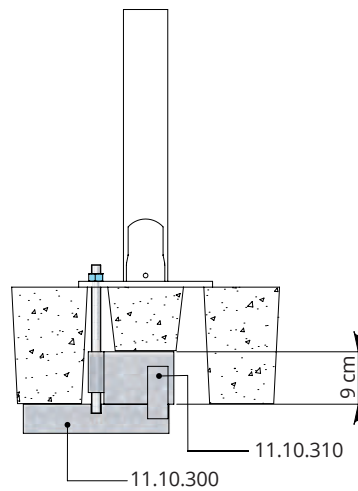
Floor-mounted support post, \varnothing 80 mm, with large base plate and rubber cover for base plate



Rubber cover for base plate



T-bolt



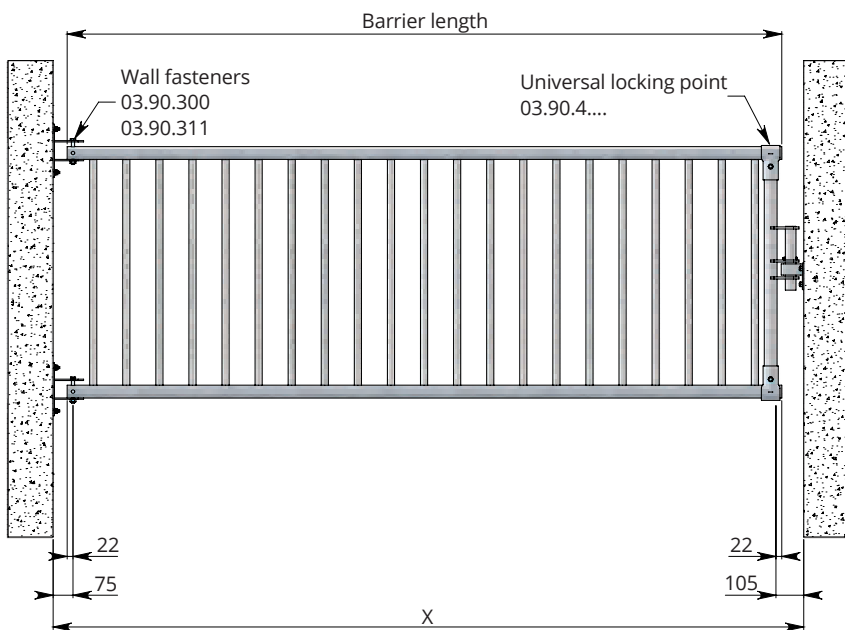
T-bolt with adapting device, 9 cm, for grid floors

Floor-mounted support post with large base plate

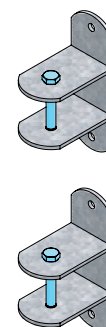
Size
10.26.360 76 mm x 160 cm
10.81.360 \varnothing 80 x 160 cm

Fittings
10.26.910 Rubber cover for base plate
11.10.300 T-bolt
11.10.310 Adapting device, 9 cm, for T-bolt

Wall fasteners 180° and universal locking point

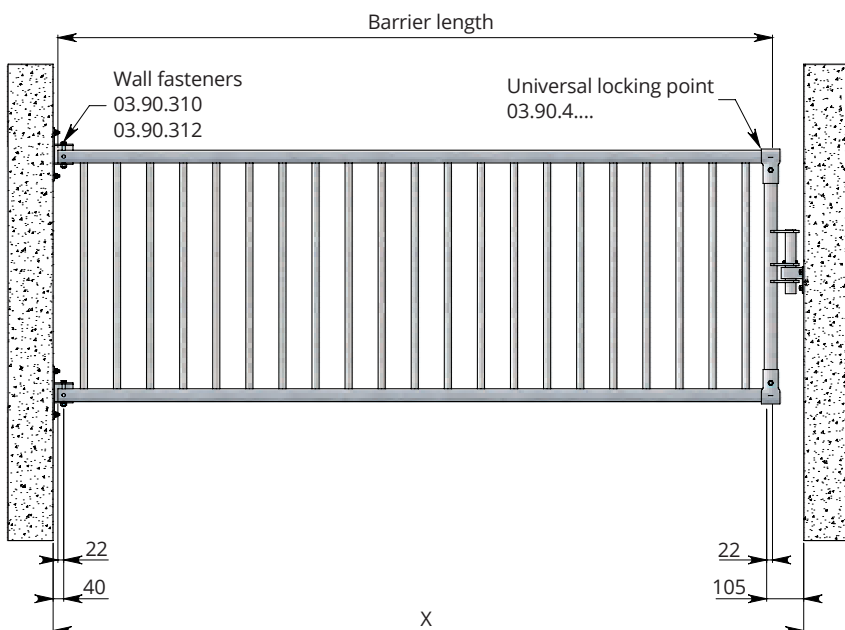


Barrier length = X - 136

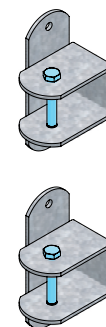


Set of wall fasteners 180°

Wall fasteners 90° and universal locking point

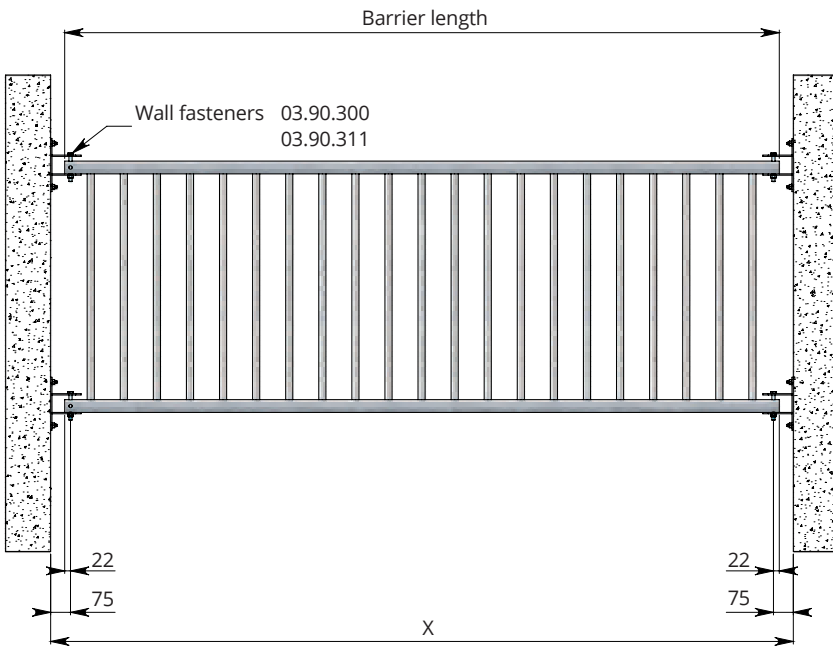


Barrier length = X - 101

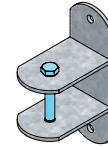
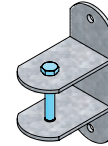


Set of wall fasteners 90°

Wall fasteners 180°

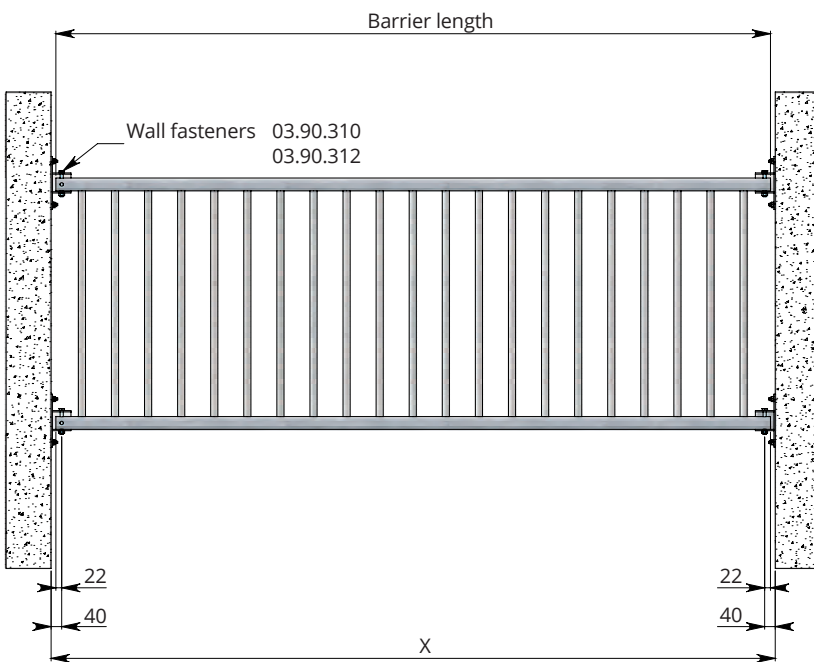


Barrier length = X - 106

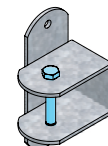
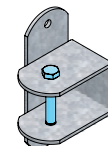


Set of wall fasteners 180°

Wall fasteners 90°

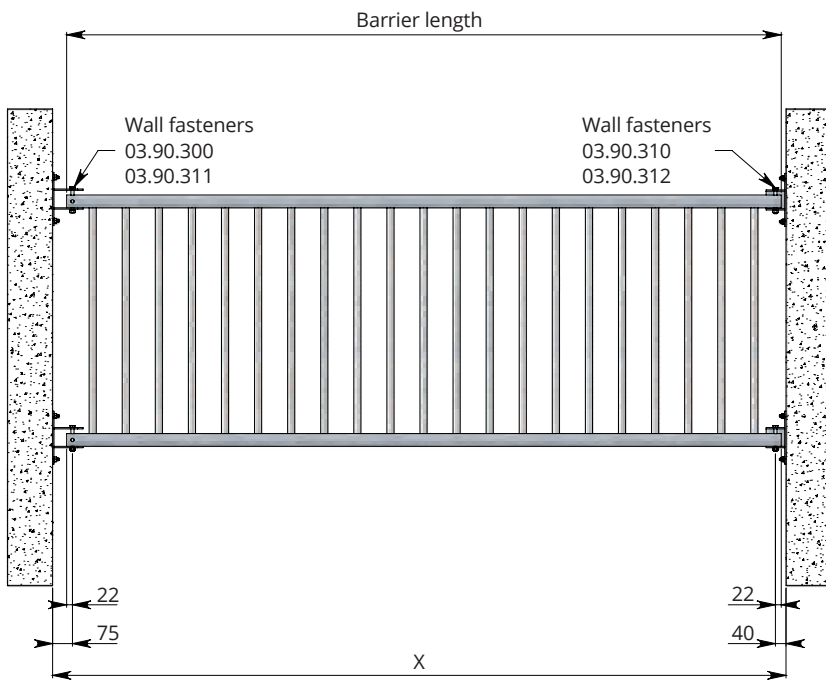


Barrier length = X - 36

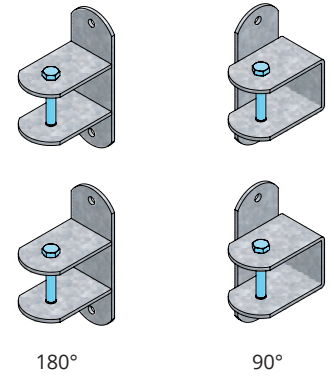


Set of wall fasteners 90°

Wall fasteners 180° & 90°

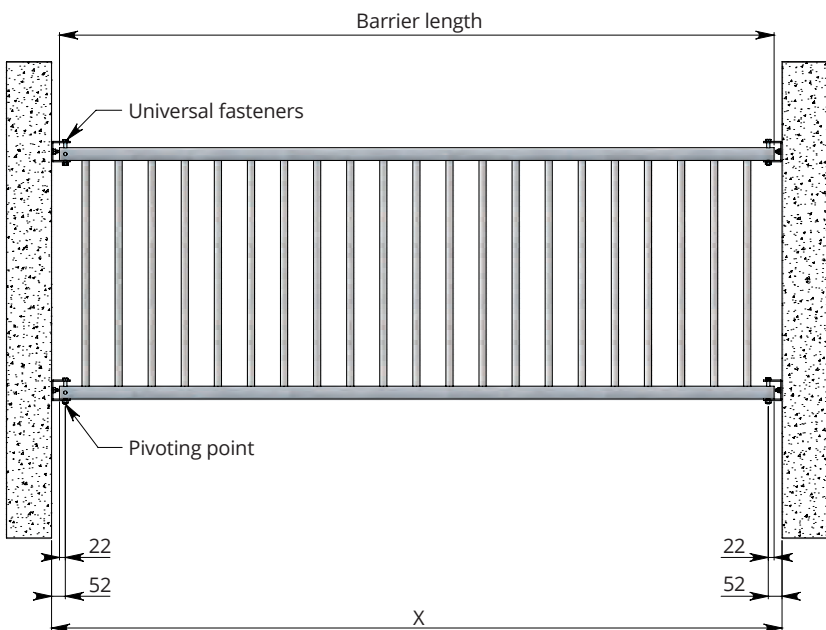


Barrier length = X - 71

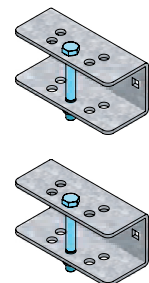


Set of wall fasteners 180°

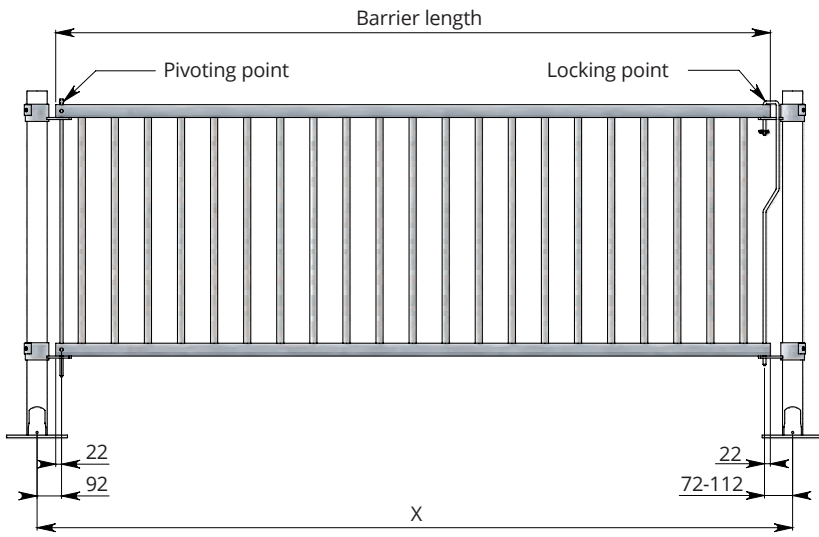
Universal fasteners



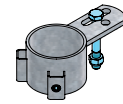
Barrier length = X - 60 (tube diameter D=48 mm)
Barrier length = X - 40 (tube diameter D=60 mm)



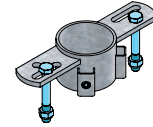
Set of Universal fasteners



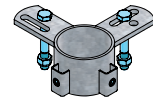
Barrier length = X - (120 to 160 mm)



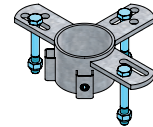
Fastener for 1 partition



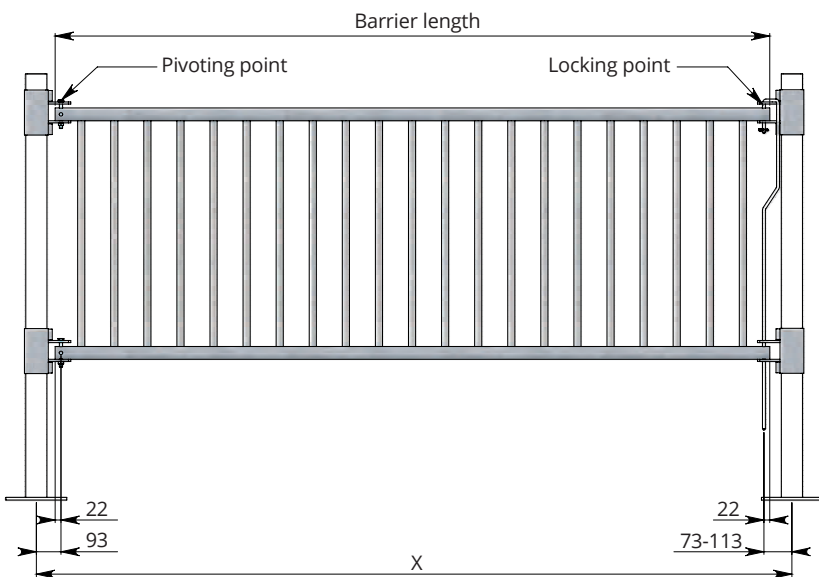
Fastener for 2 partitions (180°)



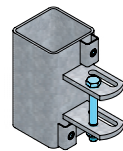
Fastener for 2 partitions (90°)



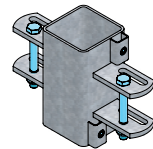
Fastener for 3 partitions



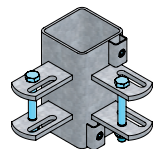
Barrier length = X - (122 to 162 mm)



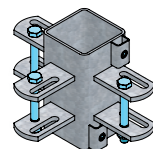
Fastener for 1 partition



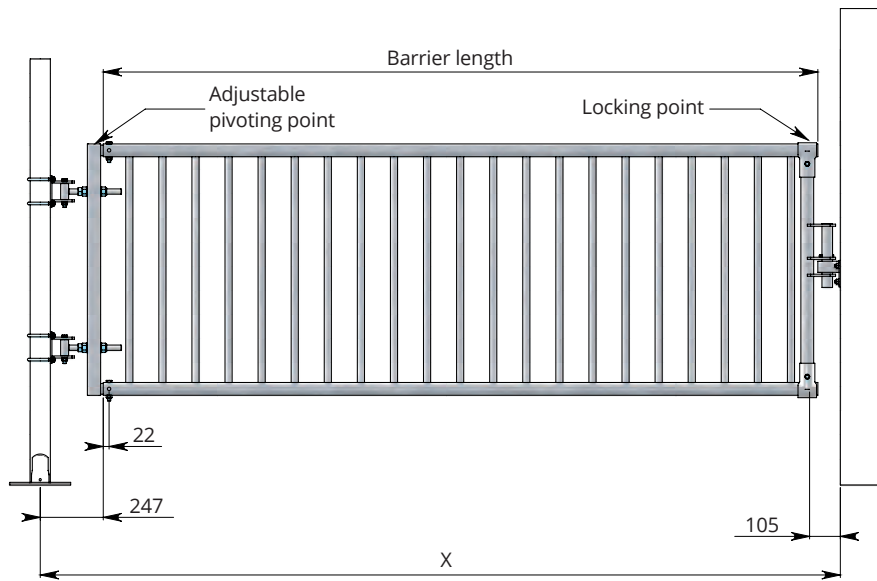
Fastener for 2 partitions (180°)



Fastener for 2 partitions (90°)



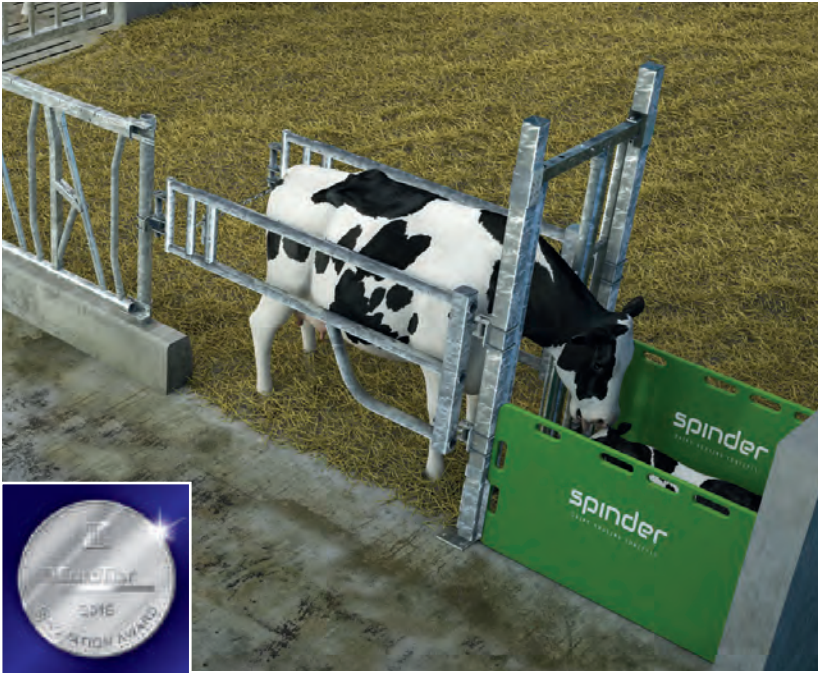
Fastener for 3 partitions



Barrier length = X - (308 mm)

Attention

- Cuddle Box 5.1
- Arena calf pens 5.4
- Classic calf pens 5.5
- Full automatic brush Krazzmaxx 5.7
- Cow brush Easycleaner 5.9
- Bull pen 5.10



Cuddle Box

A newborn calf is the future of your herd and a fresh cow is the start of a new lactation. Definitely something to care for! All the more reason to manage the calving period well. In real life we all experience certain areas that might need improvement. The Cuddle box creates the perfect conditions for this important first phase.

Most dairy men are aware of the calving protocol but deviate from this due to less than perfect circumstances. The Cuddle box, installed in the calving pen, creates the optimal conditions. For manager, cow and calf! All activities related to calving can be done safely, hygienic and with a minimum of stress for all.

The Cuddle box consists of a calf- and cow section. In the calf section the newborn calf is situated in a hygienic area surrounded by detachable lightweight plastic panels that are easy to clean.

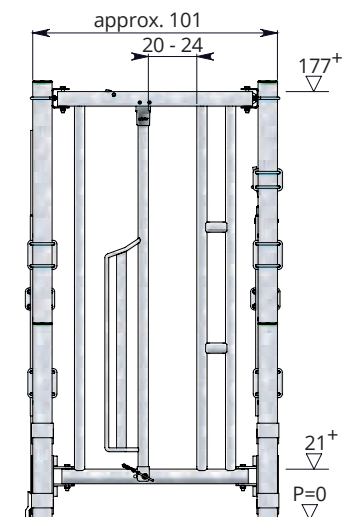
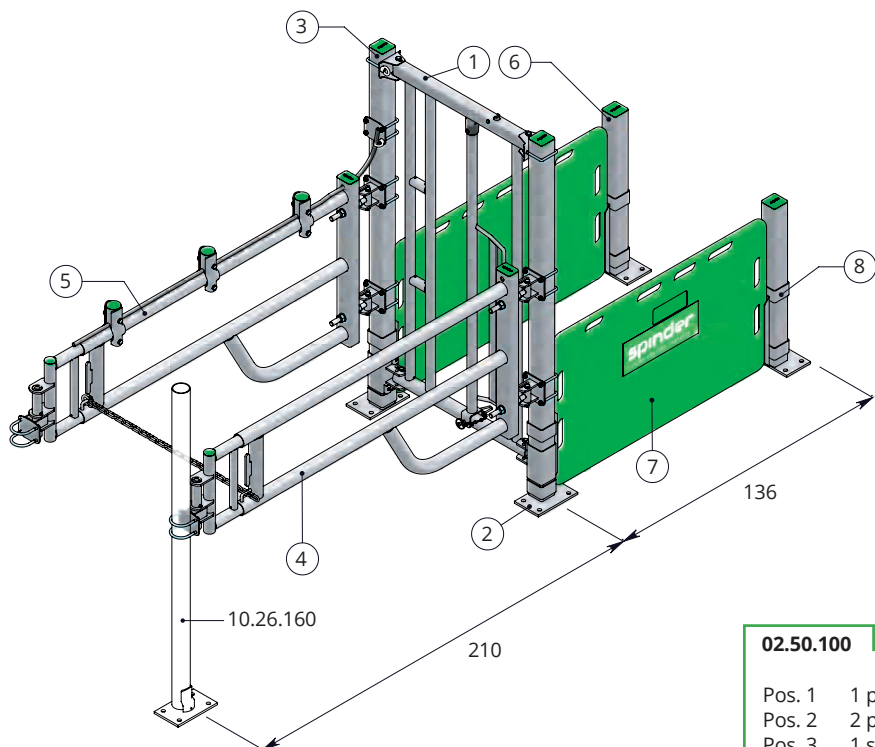
The cow, located in the separate cow section, has easy access to the calf and is able to lick the calf dry and eat silage. The telescopic and rotating side rails provide an easy entrance for the cow. By pulling the locking cord the manager can easily close the rear barrier behind the cow and lock her in.

Preferably the Cuddle box is installed in line with the side gate of the calving pen, arranged in such a way that the manager has no need to enter the calving pen to milk the fresh cow. The side rails allow for easy access of the udder and ensure a safe and complete milking – from the clean side.

Originally conceptualized by Vetvice, a team of veterinarians that strive for a maximum health and well-being of human and animal, the Cuddle box has been further developed and engineered by Spinder.

Advantages of the Cuddle box:

- The cow can be effortlessly locked in by one person for treatment or assistance in calving.
- The calf section ensures a hygienic, dry and draught-free place for the newborn. No contact with manure reduces the chance of infections.
- The newborn calf is placed on top of the roughage. The smell of amniotic fluid stimulates the cow to eat.
- Intake of roughage immediately after calving helps to prevent a negative energy balance and ketosis.
- A licking and feeding cow expels the placenta easier.
- Licking by the cow stimulates the calf and prevents it from cooling down.
- The cow is fixated by the side rails and rear barrier and is positioned in a way that ensures easy and safe milking shortly after calving.
- Milking is also made easier by the fact that the cow is licking her calf. Licking stimulates the release of oxytocin and with that the release of the important colostrum which is essential for the health of the calf.
- Feeding the colostrum to the calf is easy to do in the calf section of the Cuddle box.
- Located in the calf section the calf cannot wander round and is easily relocated to another pen.

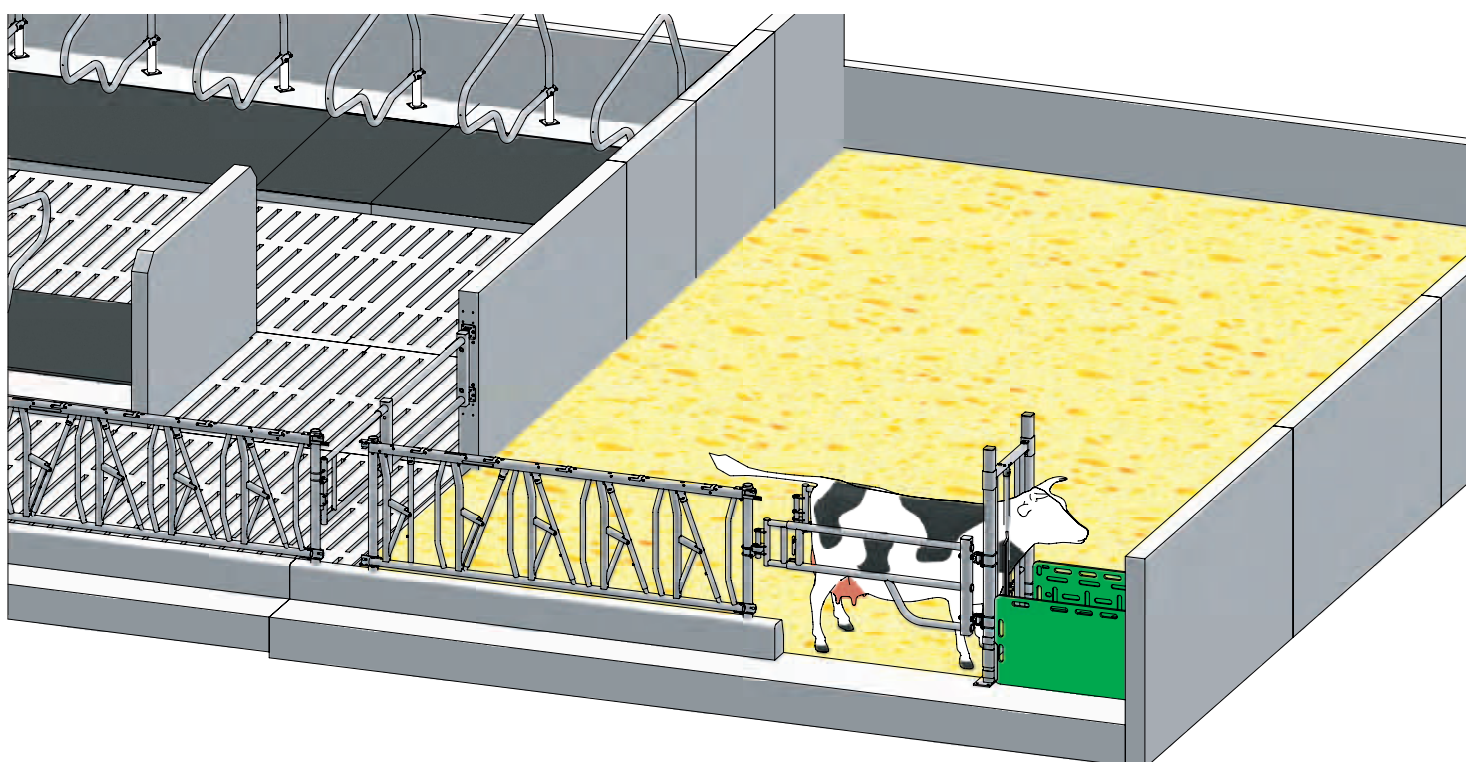


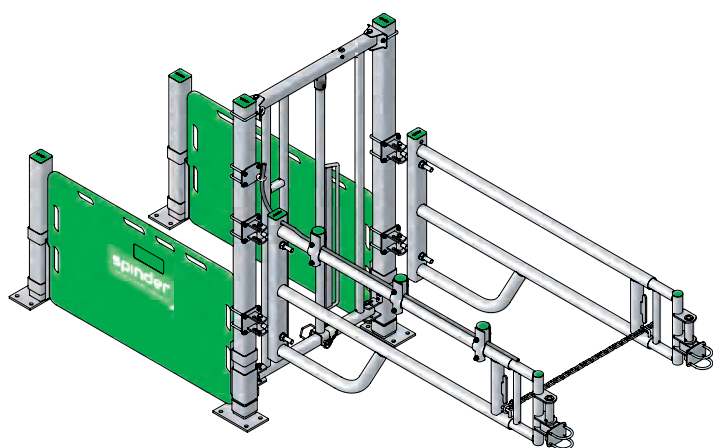
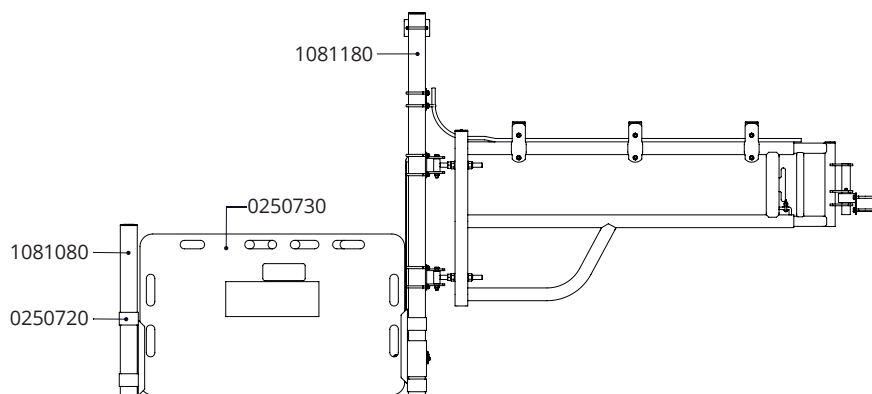
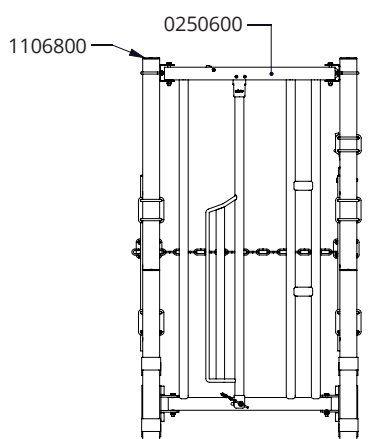
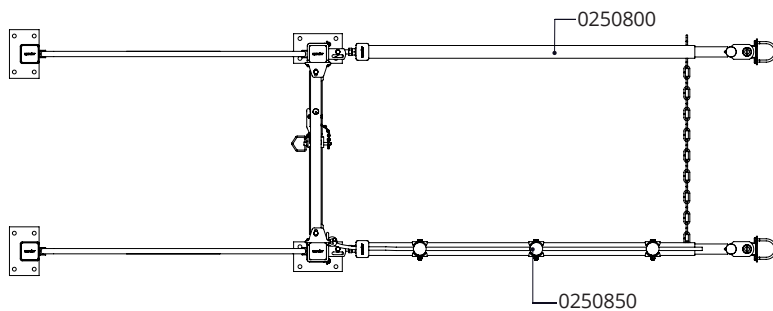
02.50.100 Cuddle box complete, consisting of:

- Pos. 1 1 pcs. Lock in fence
- Pos. 2 2 pcs. Floor-mounted support post \varnothing 80 x 180 cm
- Pos. 3 1 set Fasteners (4 pcs.) for mounting the lock in fence to \varnothing 80 support posts
- Pos. 4 1 pcs. Telescopic push on barrier
- Pos. 5 1 pcs. Telescopic push on barrier with rope guiding device and lock up chain
- Pos. 6 2 pcs. Floor-mounted support post \varnothing 80 x 80 cm
- Pos. 7 2 pcs. Plastic panel
- Pos. 8 2 set Fasteners (2 pcs.) for plastic panel to \varnothing 80 support posts

Fittings

- 10.26.160** Floor-mounted support post 76mm x 160 cm
- 11.06.250** Stopper 76 mm
- 11.11.250** Floor anchor M16 x 120 mm (20 per Cuddle Box)



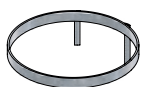


Cuddle Box, lose components:

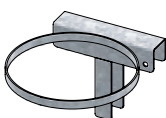
- | | |
|------------------|--|
| 02.50.600 | Lock in fence, cpl. with fasteners for mounting the lock in fence to square ∇ 80 mm posts |
| 10.81.180 | Floor-mounted support post ∇ 80 x 180 cm |
| 02.50.850 | Telescopic push on barrier with rope guiding device and lock up chain |
| 02.50.800 | Telescopic push on barrier |
| 10.81.080 | Floor-mounted support post ∇ 80 x 180 cm |
| 11.06.800 | Stopper ∇ 80 mm |
| 11.11.250 | Floor anchor M16 x 120 mm |
| 02.50.730 | Plastic panel 125x76x2,5 cm |
| 02.50.720 | Set of fasteners for 1 plastic panel to ∇ 80 mm posts |



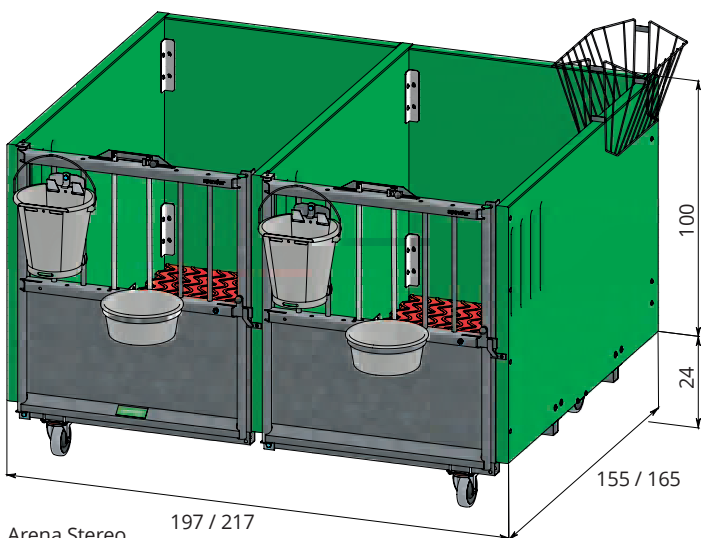
Hay rack



Bucket holder



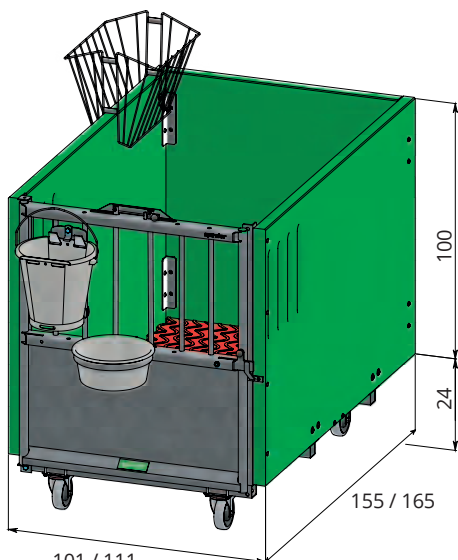
bucket holder Arena on side panel



Arena Stereo

197 / 217

155 / 165



Arena Mono

101 / 111

155 / 165

A new-born calf. Those first few weeks are essential for growing into a healthy cow. Proper housing is a must in this respect. For many years, single pens have been the best solution for preventing contamination.

Spinder has now introduced plastic calf pens of the Arena model to their range of products. These calf pens are characterised by easy cleanability of walls and floors. The walls are smooth; so the dirt does not easily stick. The floor is made out of one piece, it is lightweight, and with little chance of curling straw. (It is recommended to house the calves on a decent layer of straw.)

Fitted with a handy and flexible front gate. The standard castor wheels allow the pens to be moved easily, so that cleaning can be carried out in the best possible way and in the right place.

The dimensions are in line with the latest insights: 91 cm x 150 cm or 101 cm x 160 cm.

The construction:

1. The floor:

- Easy to remove and install; made out of one piece and lightweight (approx. 10 kg).
- Easy to clean, as the straw has no grip on any part.
- Drainage through a number of drainage holes in the floor.

2. The walls:

- Strong, PP panels (5 cm thick, chambers construction), long service life.
- Solar heat resistant.
- Easy to clean, thanks to smooth outside.
- With spy holes, 4 x 35 cm at 3,5 cm.
- Stainless-steel attachment, right through.
- Always with back wall.
- Unobstructed entrance.

3. The front gate:

- Robust, hot-dip galvanized.
- Lower part closed, upper part has 6 bars.
- The centre bars are movable, so the calf will be able to stick its head through. The calf can be restrained.
- The centre bars are made of smooth stainless steel; they are animal-friendly and hygienic.
- Can be used in a flexible manner, as the front gate can be hinged from either side.
- Simple locking mechanism through a latch.
- 2 bucket holder positions at the bottom.
- 3 bucket holder positions at the top.

4. The frame:

- Hot-dip galvanized carrier frame, robust.
- With four bearing-mounted swivelling castor wheels, strap attachment, two of which are fitted with a brake.

5. Dimensions:

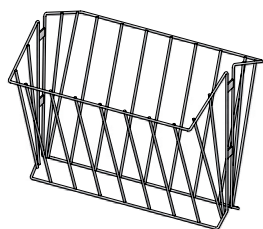
The Arena calf pens come in two models:

- the 91 pen, with an inside dimension of 91 cm x 150 cm
- the 101 pen, with an inside dimension of 101 cm x 160 cm

The calf pens are available in 2 versions:

- Mono: a single pen, outside dimension:
 - 91: 101 cm x 155 cm
 - 101: 111 cm x 165 cm
- Stereo: two pens paired, outside dimension:
 - 91: 197 cm x 155 cm
 - 101: 217 cm x 165 cm

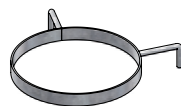
	Type
01.60.091	Arena 91 Mono
01.61.091	Arena 91 Stereo (2 calf pens)
01.60.101	Arena 101 Mono
01.61.101	Arena 101 Stereo (2 calf pens)
	Fittings
01.60.050	Single bucket holder Type Arena
01.60.060	Bucket holder Arena on side panel
01.60.030	Hay rack Type Arena
01.40.250	Bucket with nipple, flat side
01.40.350	Matching set of fasteners
01.40.240	Plastic calf pan, 5 L
01.40.210	Plastic calf bucket 12 L



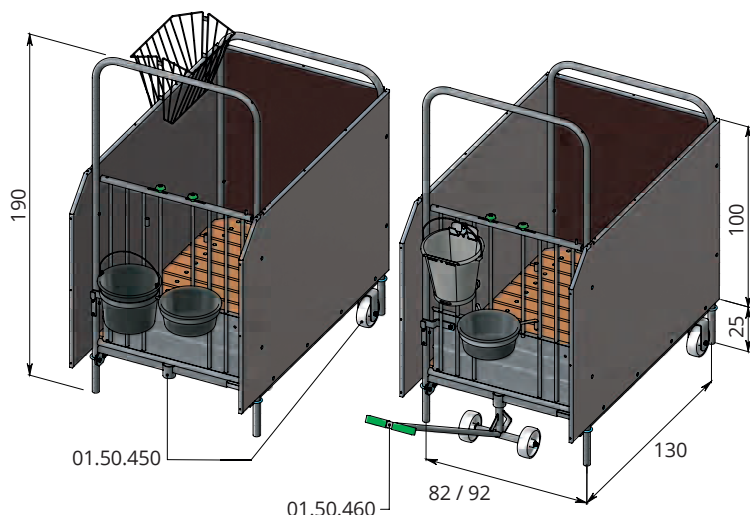
Hay rack



Double bucket holder



Single bucket holder



Because of their inherent low resistance newborn calves are very susceptible to infections. One of the main reasons why these infections are transmitted is that they lick and suck each other. Therefore individual housing is of utmost importance, the more so because the value of the calves has increased as a result of modern breeding methods. Any other way of housing would involve too much risk.

Individual housing offers optimal inspection on calf health, feeding and manure. Calves with diarrhoea or other ailment can be spotted immediately and can be treated separately. This makes the chances to infect the other calves very small.

For years and years now the Spinder individual calf pens have attributed to a healthy start of the new born calf.

Major characteristics of Spinder single calf pens:

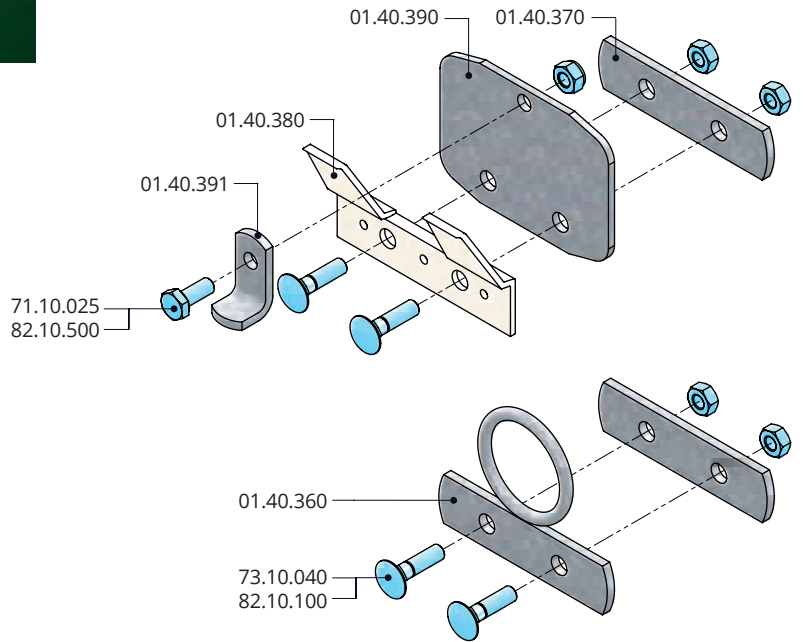
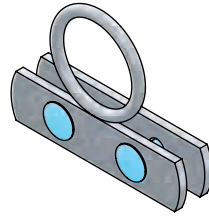
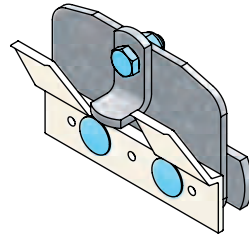
- Front gate for maximum access;
- The gate can turn left or right;
- Adjustable V-shaped feed opening in the front gate for calves of various age and/or breeds. If necessary this adjustable opening can also be used to lock calves in;
- The pens have raised floors, this ensures dry bedding and maximum ventilation;
- The closed lower section of the gate prevents draught and keeps straw inside;
- The frame and the front gate are hot dip galvanized;
- The removable slatted floor is made of smooth hardwood with galvanized carriage bolts;
- Dividing panels of waterproof plywood with smooth synthetic resin finish and an aluminum protective edge;
- Removable back wall, for good cleaning;
- The pen can be assembled quickly and simply. A clear assembly manual is included;
- Available in widths of 82 and 92 cm;

It is recommended to place the calf pens in a separate area with sufficient ventilation.

	Classic calf pen 82 cm
01.52.820	Single unit
01.52.821	Add-on unit
	Classic calf pen 92 cm
01.52.920	Single unit
01.52.921	Add-on unit
	Fittings
01.50.890	Back wall 82 cm
01.50.990	Back wall 92 cm
01.40.220	Plastic calf bucket 12 L, with nipple
01.40.250	Bucket with nipple, flat side
01.40.350	Matching set of fasteners
01.40.240	Plastic calf pan, 5 L
01.40.210	Plastic calf bucket 12 L
01.40.180	Double bucket holder
01.40.170	Single bucket holder
01.50.190	Hay rack (one per 2 units)
	Set of wheels for classic calf pens
01.50.400	Set of wheels (2 for a single unit, 1 for each add-on unit)
	Set of wheels for classic calf pens, roll away system
01.50.450	Set of 2 wheels for single unit
01.50.460	Handle with wheels



01.40.350 Set of fasteners for nipple bucket with flat side



Special blocking part prevents nipple bucket from falling off





Full automatic brush Krazzmaxx

It is interesting to see how cows give themselves an extensive brush and massage.
The animals feel improved health due to this full automatic brush.

Lice, mite and other parasites will be removed off the skin.
Eczema and infestation from the skin through fungus will decrease or even disappear.

Through the large brush surface and through the massage the skin gets well blooded and the metabolism is enhanced.
The milk production increases as it improves the heat.

The use of the Krazzmaxx works out in quietness in the barn.

Major characteristics:

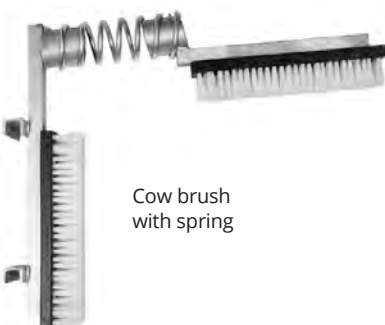
- Cleans thorough back, breast and flanks;
- Disposes of parasites and old hair;
- Takes care of the itch;
- Massages a large skin area;
- Enhances the metabolism;
- Less shaving;

Technical details:

- Electric motor : 230V/50Hz
- Brush rotation : 60 U/min
- Required free space : min. 110 cm wide
- Weight : 133 kg



11.15.300 | Full automatic brush Krazzmaxx



Cow brush with spring

11.15.200

Cow brush with spring

The spring prevents the cow brush from being damaged for example when cows are jumping.

11.15.900

Seperate brushes



Full automatic brush Krazzmaxx

Major characteristics:

- Cleans thorough back, breast and flanks;
- Disposes of parasites and old hair;
- Takes care of the itch;
- Massages a large skin area;
- Enhances the metabolism;
- Less shaving;

Technical details:

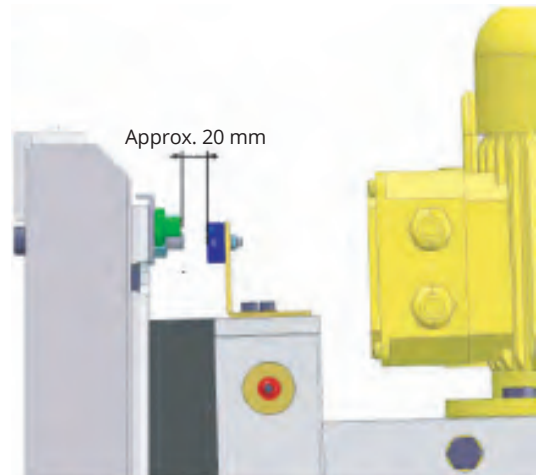
- Electric motor : 230V/50Hz
- Brush rotation : 60 U/min
- Required free space : min. 110 cm wide
- Weight : 133 kg
- Protection grade: : - motor: IP55
- control box: IP54
- proximity switch: IP67

Modification:

The newest generation Krazzmaxx full automatic brushes (model III) are equipped with a new type proximity switch. This switch has a wider operative range and is easier to adjust compared to the previous type. The optimal distance between switch and magnet is roughly 20 mm (see picture below).

The new type proximity switch can also be used on previous models Krazzmaxx brushes. For this a complete changeover kit model III proximity switch (11.15.315) has to be ordered. This changeover kit includes the new type proximity switch, the magnet and the associated mounting brackets.

The model III Krazzmaxx brushes can be identified by the inscription III in the external retaining ring of the horizontal brush (see insert picture). The previous models have no inscription.



11.15.300

Full automatic brush Krazzmaxx

Parts for Krazzmaxx

- 11.15.301 Round brush, horizontal part L=55 cm (132.4106)
- 11.15.302 Round brush, vertical part L=65 cm (132.4107)
- 11.15.303 Printboard for control box (132.4109)
- 11.15.316 Glass fuse 5x20 mm, 5.0 A (box with 10 pc)
- 11.15.315 Changeover kit model III proximity switch, complete
- 11.15.311 Proximity switch for Krazzmaxx III (132.4160)
- 11.15.312 Magnet for switch Krazzmaxx III (132.4161)



Cow brush Easycleaner

Major characteristics:

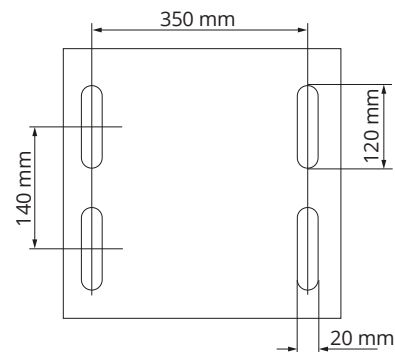
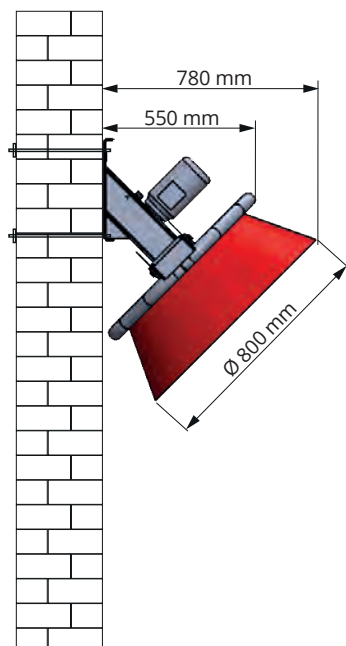
- Oblique round brush Ø 80 cm. The large brush surface and the rotating brush movement are to ensure steady massage of the head, back and large parts of the flanks;
- The oblique brush position suits large and small animals alike. So, there is no need for any height adjustments;
- Compact construction to allow installation in confined spaces;
- Switches on automatically when the brush is touched by the cow;
- The fixed runtime is approx. 2 minutes
- The direction of rotation reverses automatically with every start-up. This is to ensure even "wear" of the brush;
- The brush switches off automatically and reverses the direction of rotation when the rotation resistance becomes too great, e.g. when the tail of the animal gets stuck. The rotation resistance is adjustable.

Technical data:

- Electromotor : 230 V, 50 Hz
- Motor power : 0.37 kW
- Rotational speed : 34 r.p.m.
- Required installation width : approx. 78 cm
- Weight : 67 kg



11.15.011 | cow brush Easycleaner 230V/50HZ



The bull pen

The bull; large and strong. An animal that deserves to be treated with much respect. Spinder developed a bull pen specifically for breeding bulls, consisting of a robust safety feed front (two feed openings) and an equally robust door. The idea is that a cow can be safely and conveniently brought in and taken out of the pen, because the bull is secured in the feed front.

Since the fence has been constructed with an adjustable neck width, the bull pen can be used for almost any type of bull (in terms of age and size). The two feed openings can be operated independently from one another; simple and safe for fingers and hands.

A complete bull pen front is 3 m wide and, approx. 1.7 m high. It is made up of a heavy pipe (76 mm, among others) and heavy tubes (square 80, among others).

The bull pen consists of:

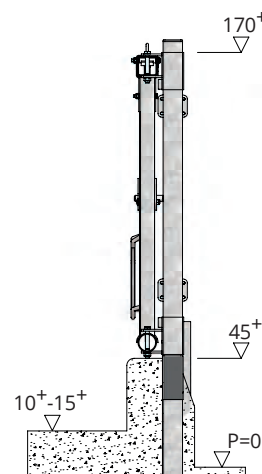
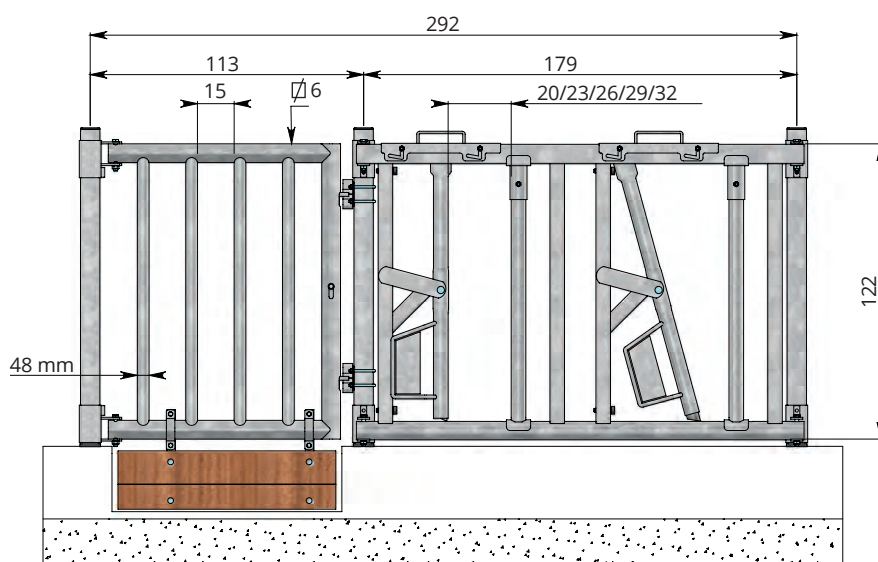
- Robust safety feed front (i.e. with lower opening) with adjustable neck width, 2 feed openings;
- A heavy door with a safety lock.

The operating modes of the feed front

- Opened position; bulls and cows can freely move their heads in and out of the feed front;
- Self-locking position where the animals lock themselves in when they start feeding;
- Individually releasing an animal by repositioning the operating sleeve;
- Individually releasing an animal from the safety opening (bottom opening) by repositioning the operating sleeve.



- 02.59.100** Safety feed front for (breeding) bull, 185cm
- 02.59.250** Door, with lock and locking points, 96cm
- 10.81.180** Floor-mounted support post $\square 80$ mm x 180 cm
- 11.06.800** Stopper $\square 80$ mm
- 11.02.800** Plastic protective sleeve $\square 80$ mm
- 02.59.710** Set of fasteners to $\square 80$ mm
- 02.59.750** Set of hangers for bull pen door





“Choose Spinder, choose
100% Dutch quality”



spinder
DAIRY HOUSING CONCEPTS

Zeppelinlaan 3
9207 JG Drachten
The Netherlands

☎ 00 31 (0)512 - 237800
E-mail: sales@spinder.nl
Website: spinderdhc.com

